

1 x

LEGO MINDSTORMS Education



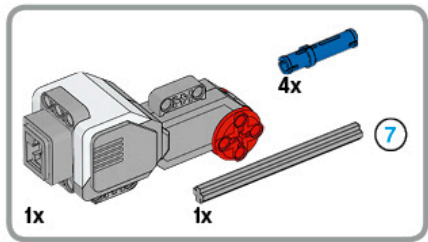
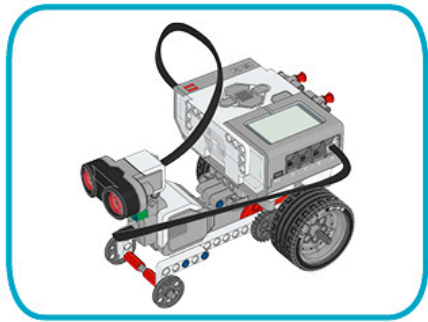
The advertisement features a central image of the LEGO Mindstorms EV3 Core Set, a white and grey robot with a large screen and various sensors. To the left of the robot is a circular icon with six segments, each containing a different sensor symbol and its name in multiple languages. To the right of the robot, the text 'Core Set' is prominently displayed in a large, bold font, with translations in German, French, Spanish, and Portuguese below it. Further down, the word 'ALAPKÉSZLET' is written in a large, bold font. Below the main robot image, there are four smaller images showing different sub-assemblies of the set, such as a motor, a sensor, and a gripper. At the bottom left, there is a Wi-Fi icon and a box indicating compatibility with iPod, iPhone, and iPad. At the bottom right, the LEGO logo is followed by 'education' and 'EV3'.

Core Set  
Basis-Set Ensemble de base  
Set principal Conjunto Principal  
ALAPKÉSZLET

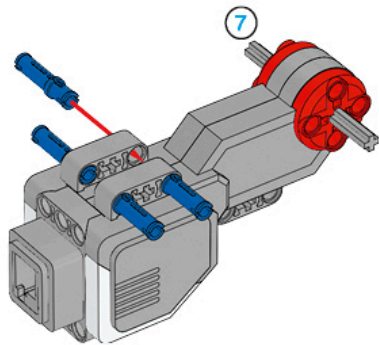
Wi-Fi  
Works with iPod iPhone iPad

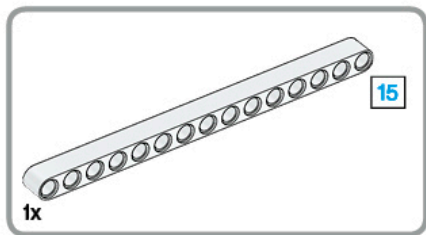
45544  
LEGOeducation.com

LEGO education EV3

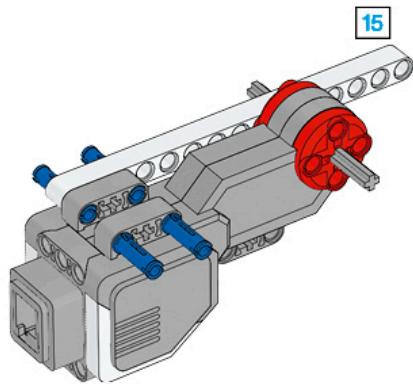


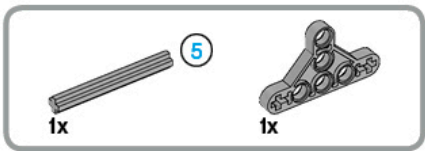
1



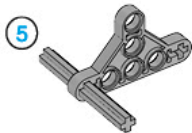


2



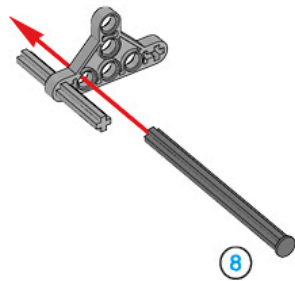


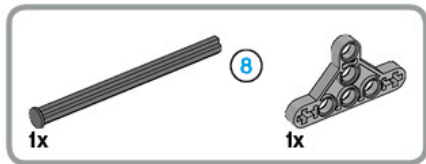
**3**



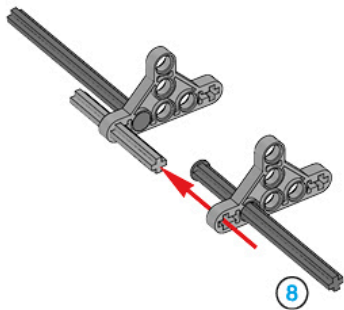


4





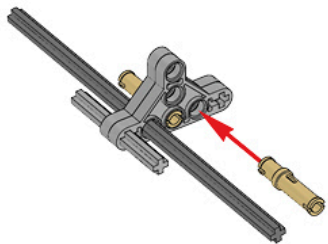
5



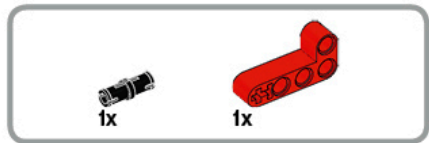


2x

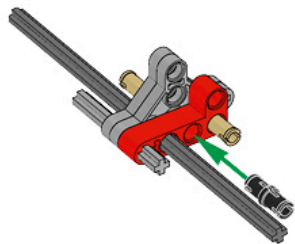
6

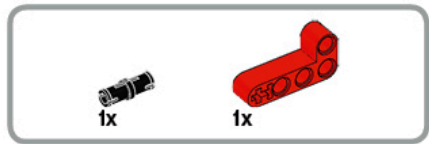




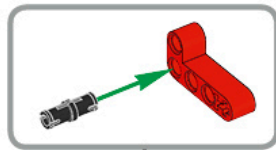
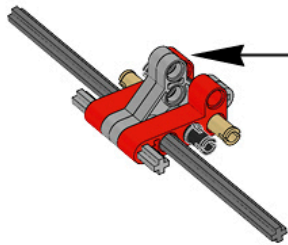


7





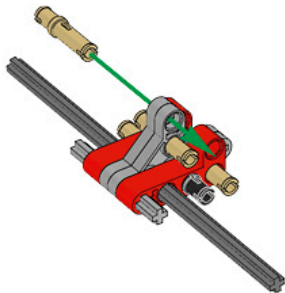
8



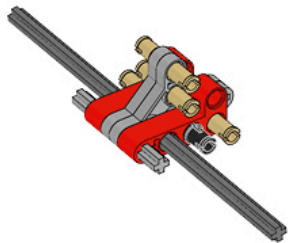


2x

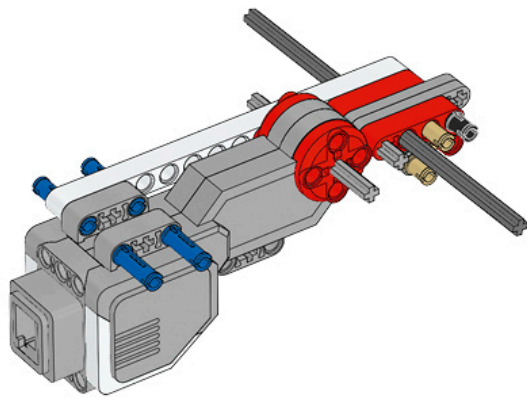
9

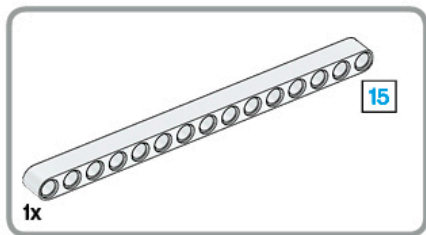


10

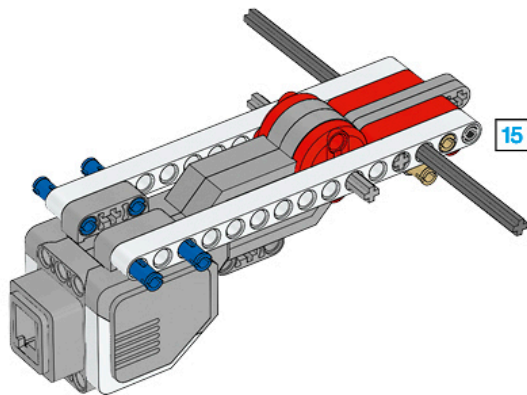


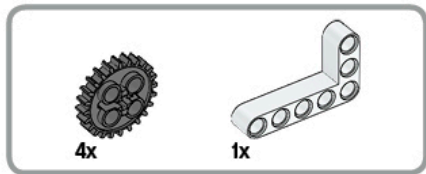
11



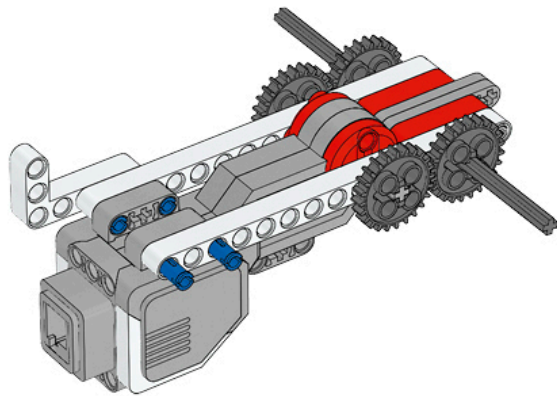


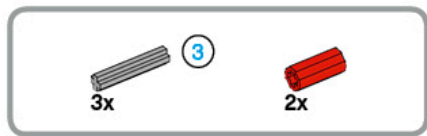
12



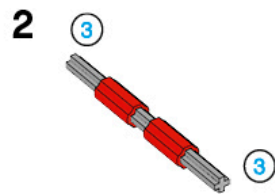
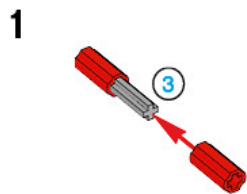


13



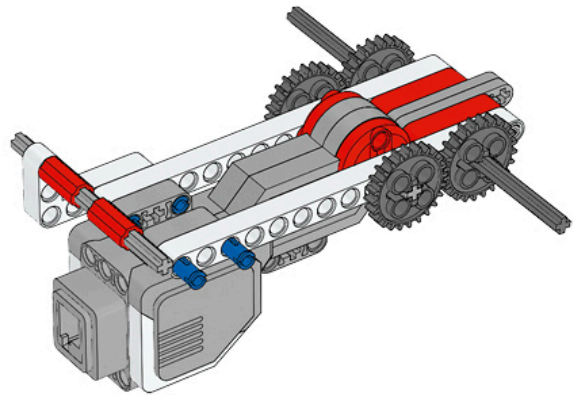


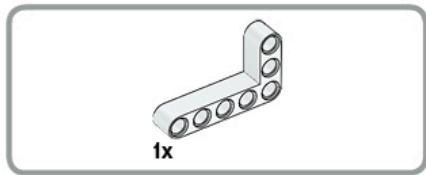
14



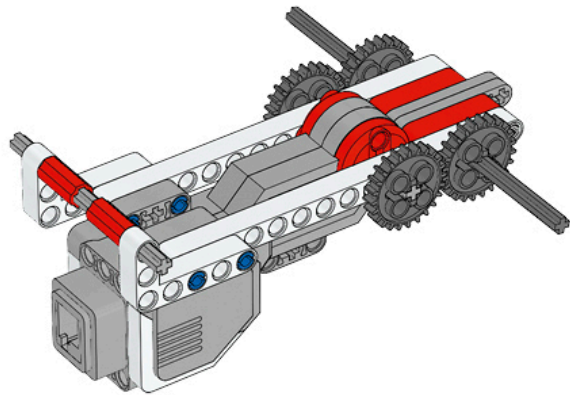


15





16



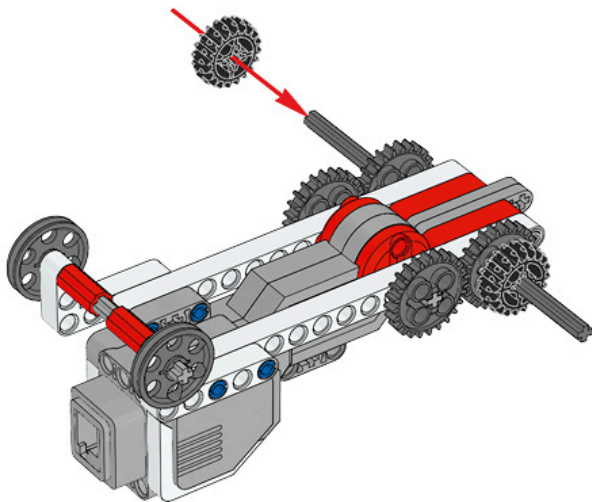


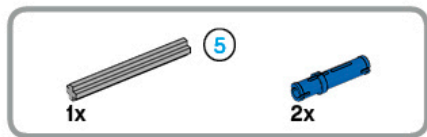
2x



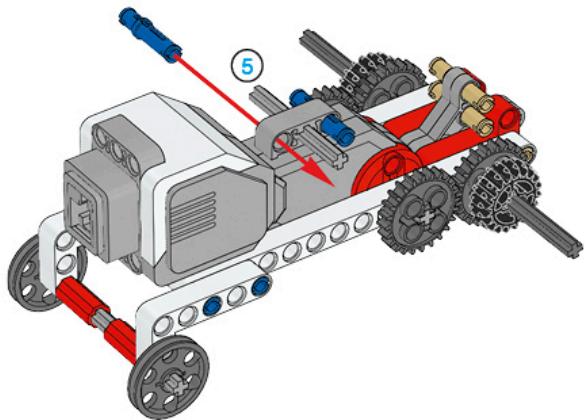
2x

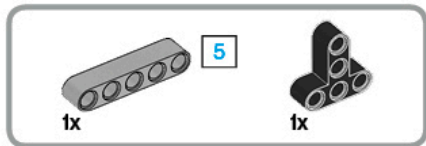
# 17



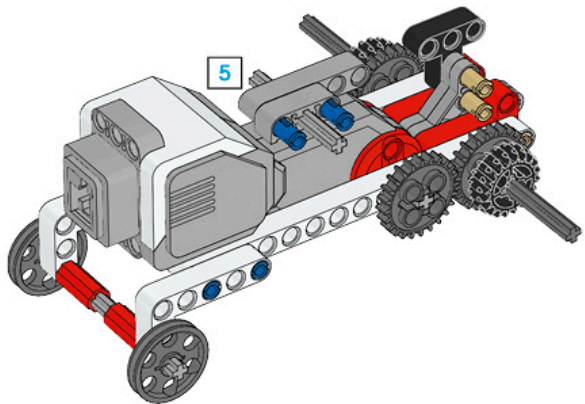


18





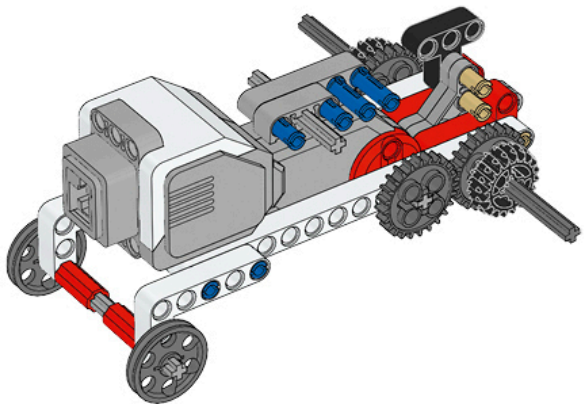
# 19

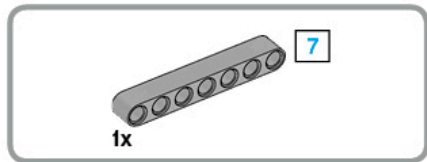




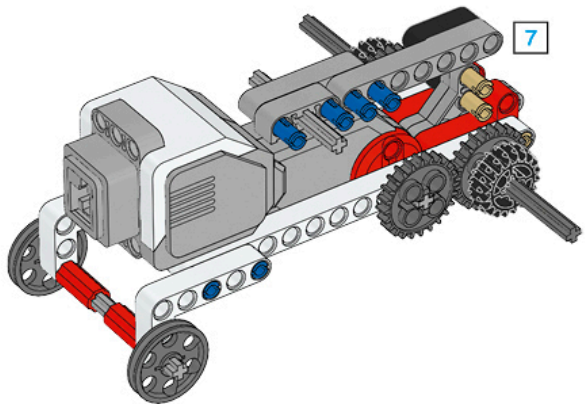
2x

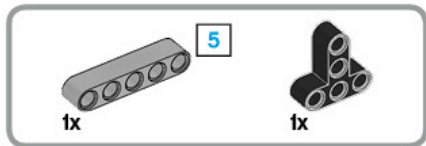
20



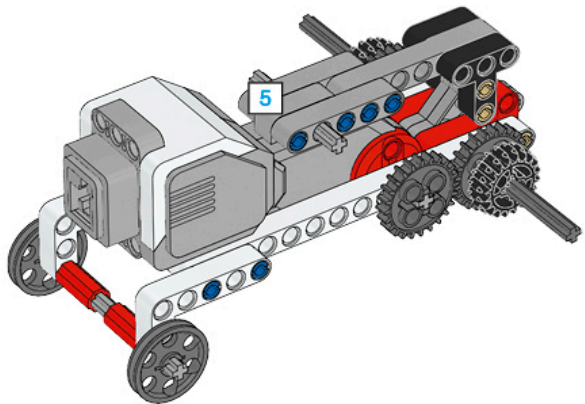


21





# 22

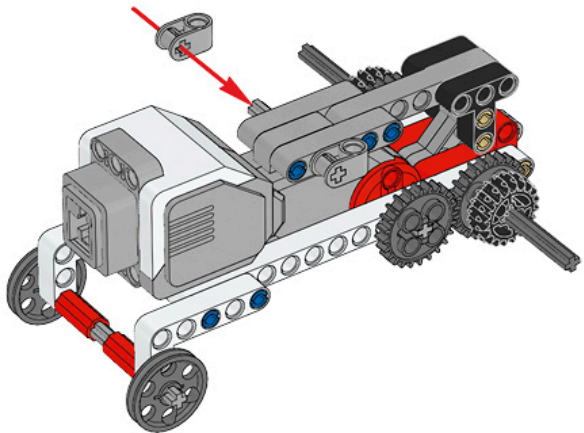


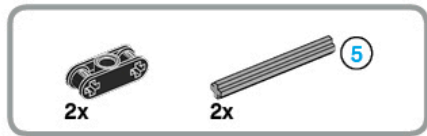




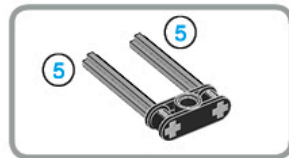
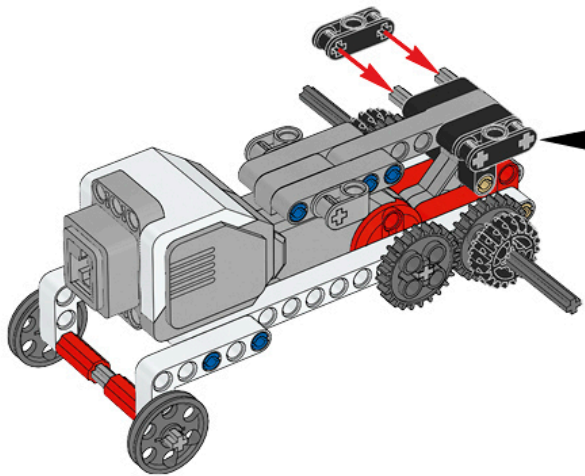
2x

# 23





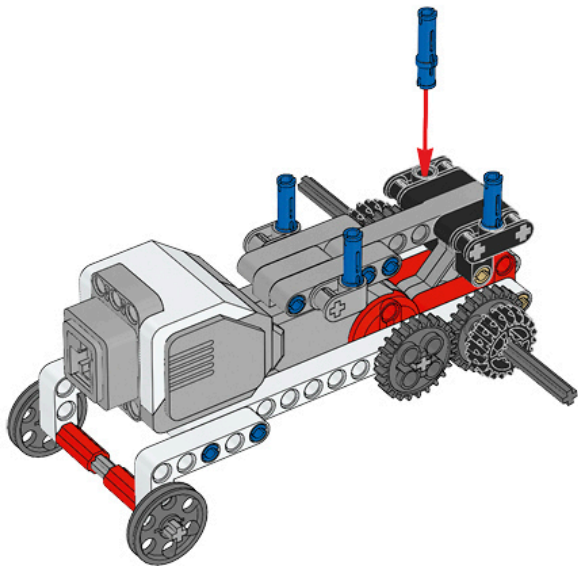
24

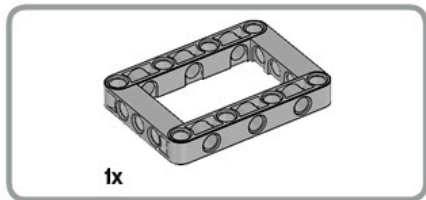




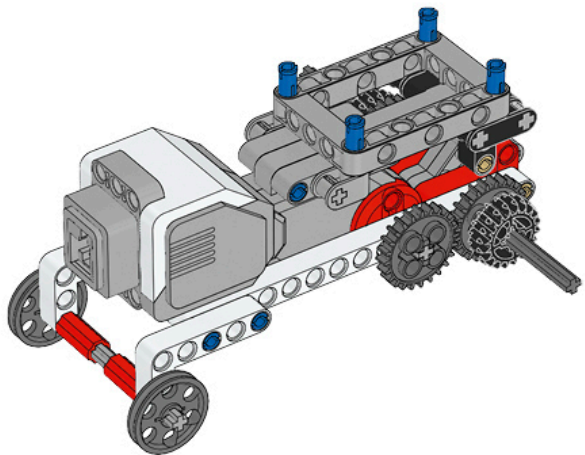
4x

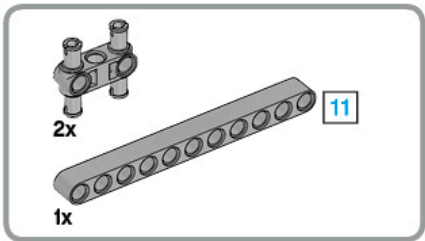
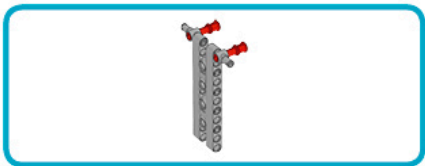
25



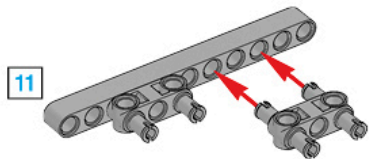


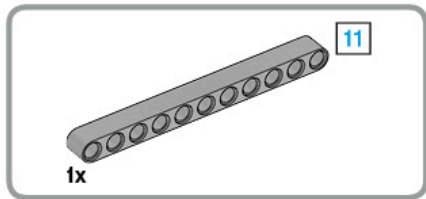
26



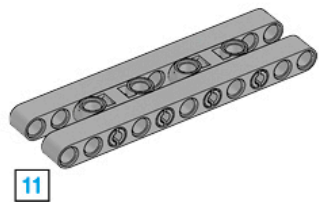


27





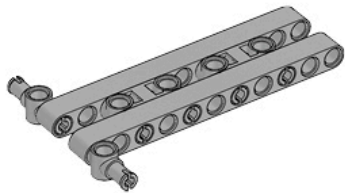
28





2x

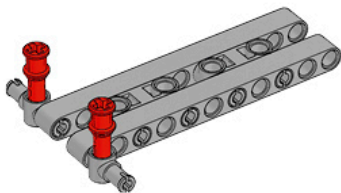
29



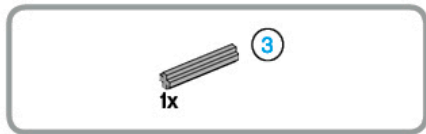


2x

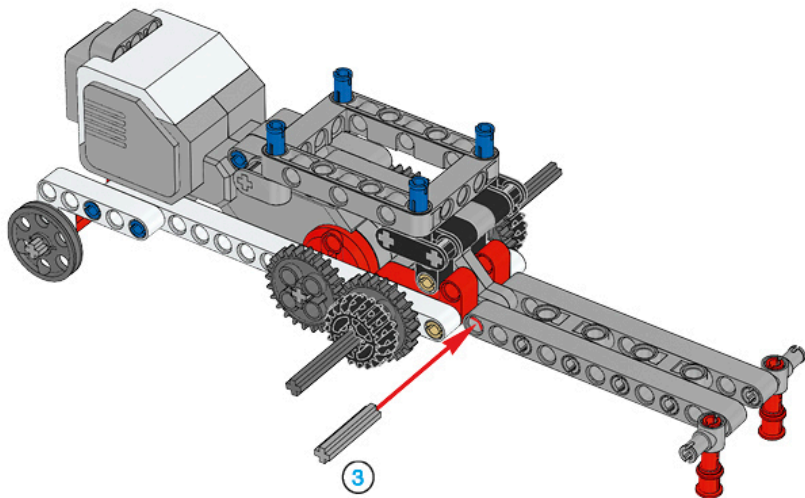
30

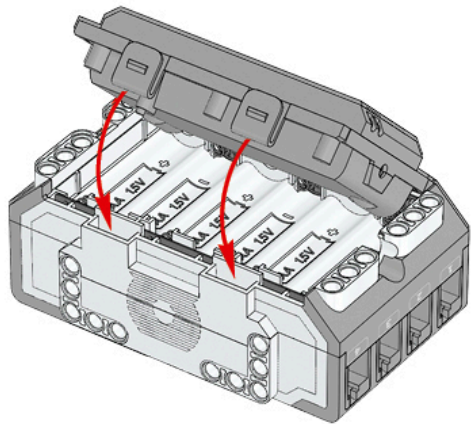
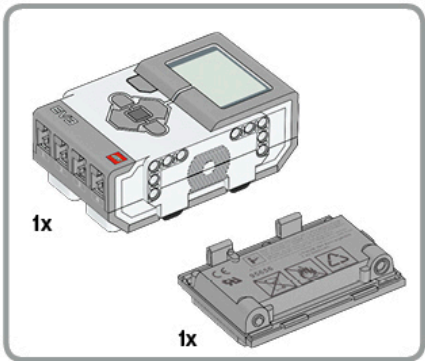
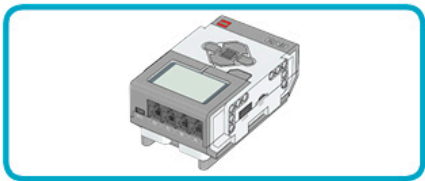






31



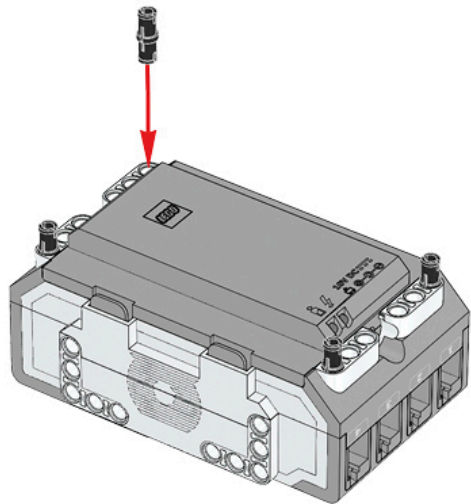


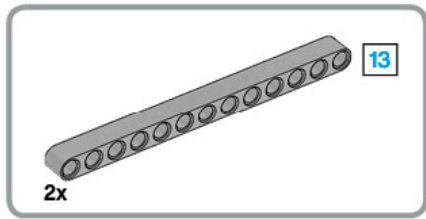
32



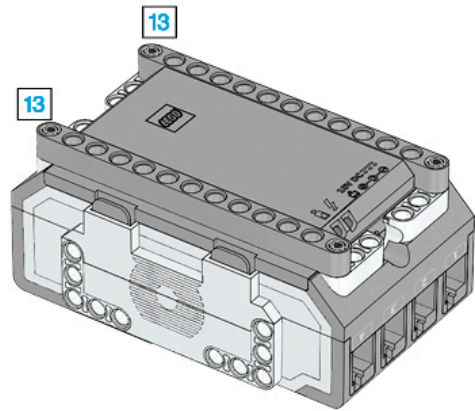
4x

33

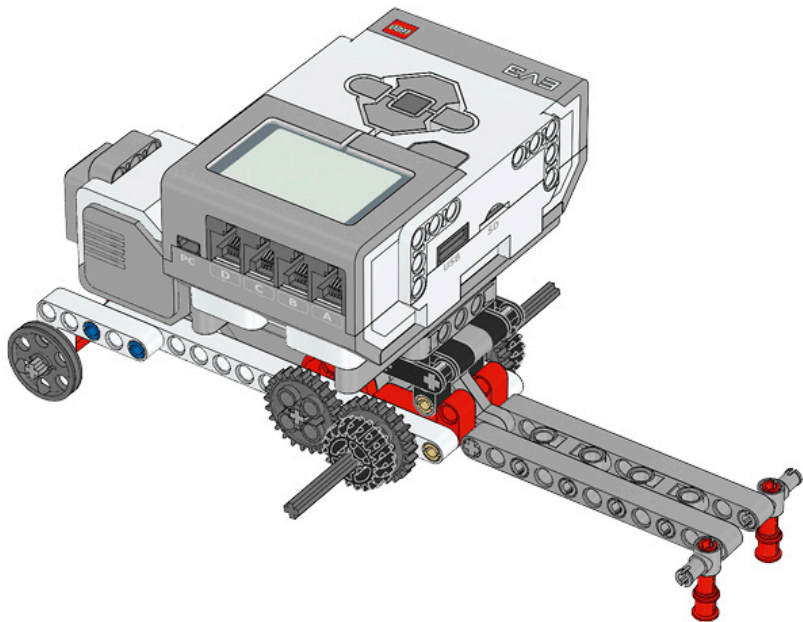




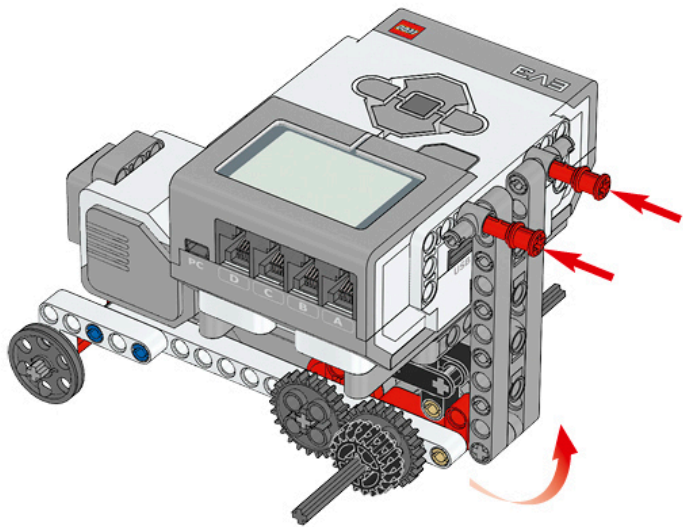
34

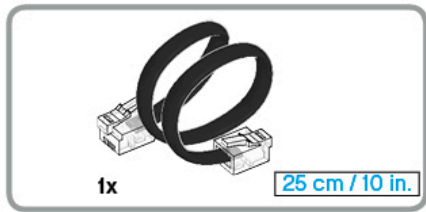


35

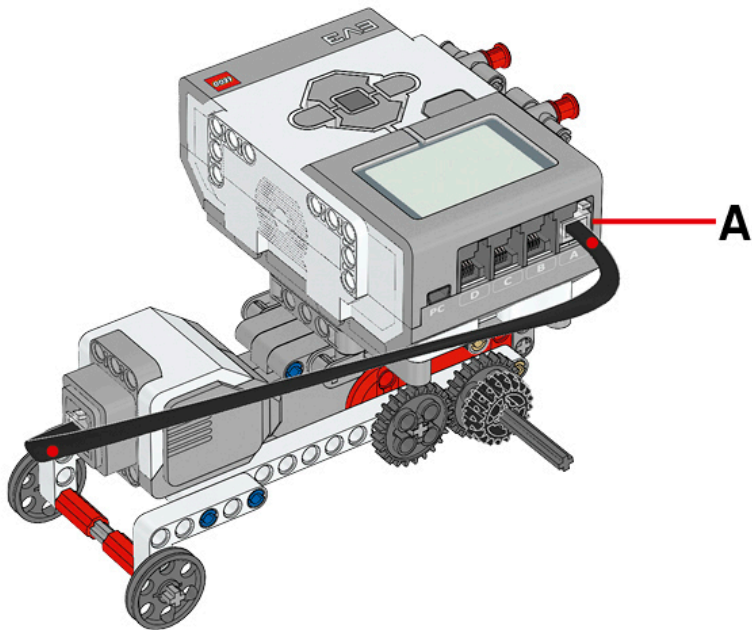


# 36





37



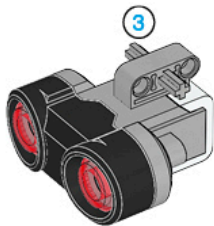


1x



1x

# 38

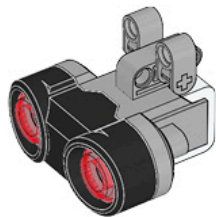






2x

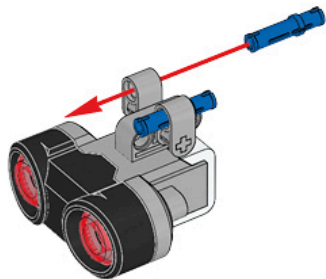
39





2x

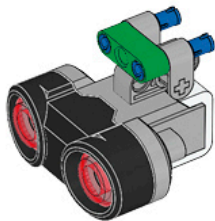
40



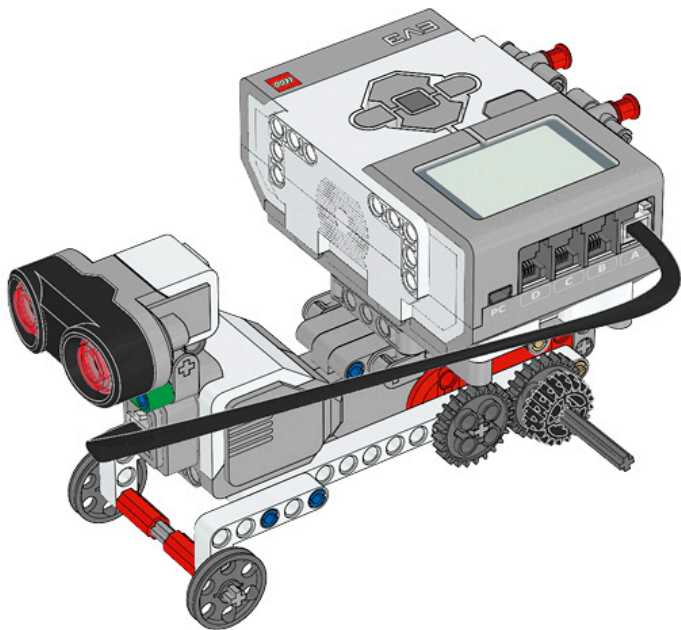


1x

41

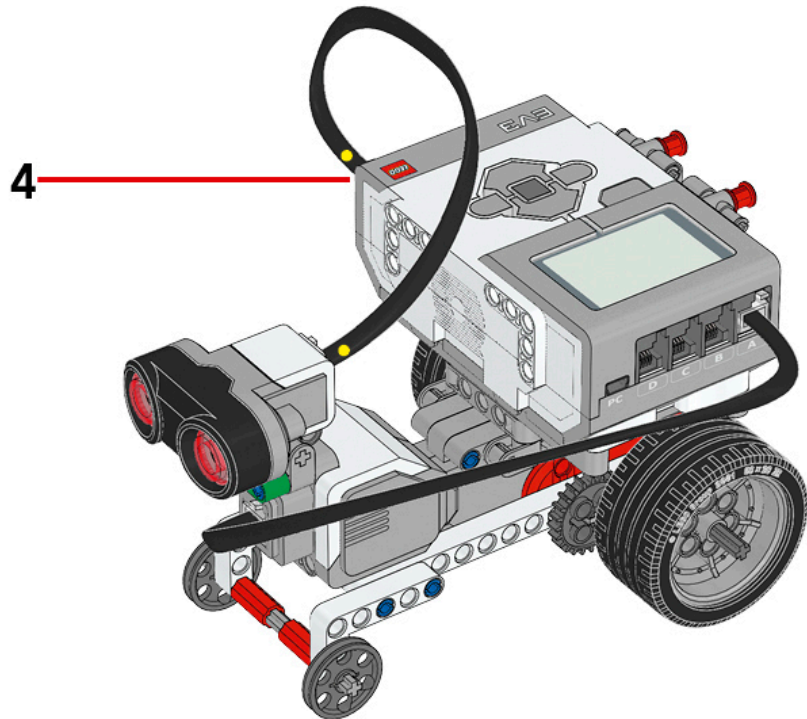


42

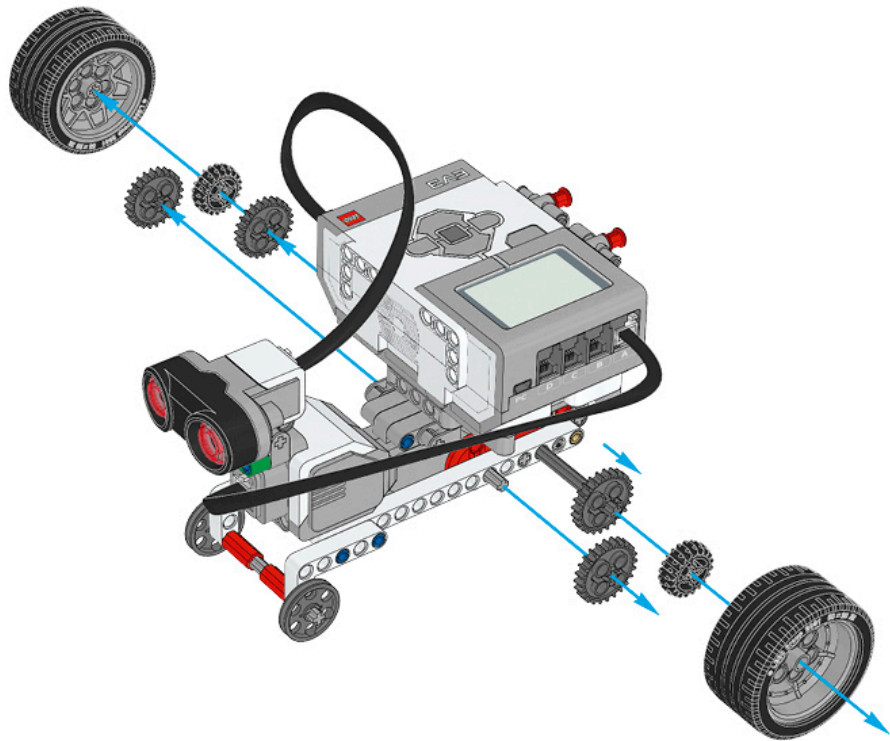




43

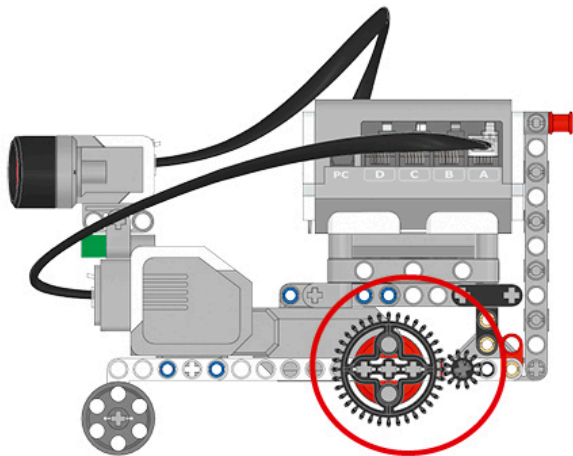


1

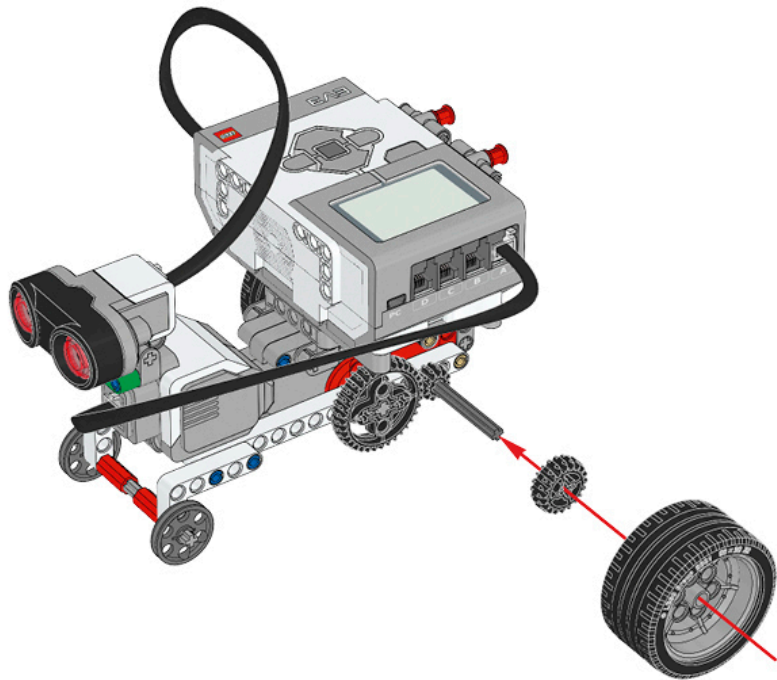




1

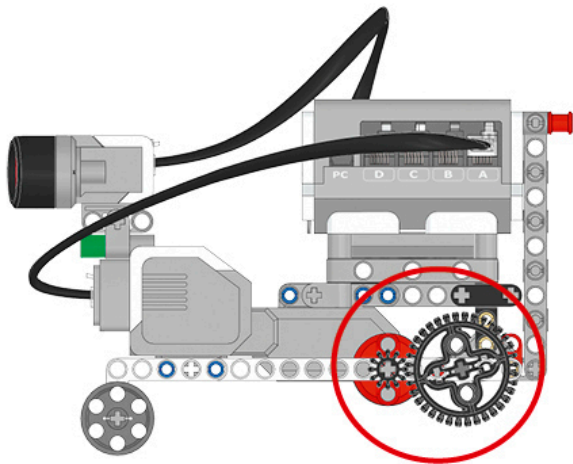


2

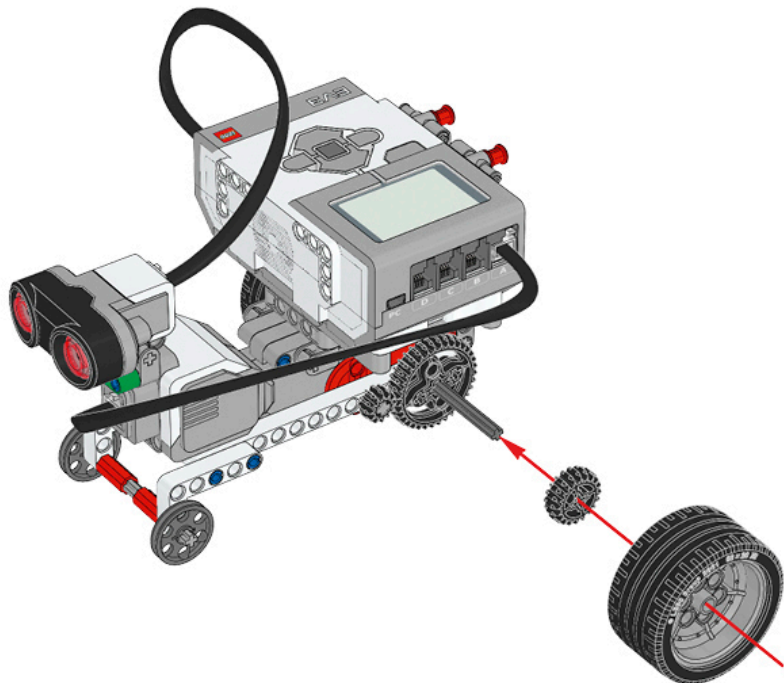




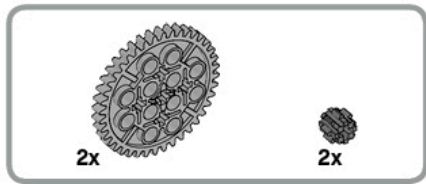
1



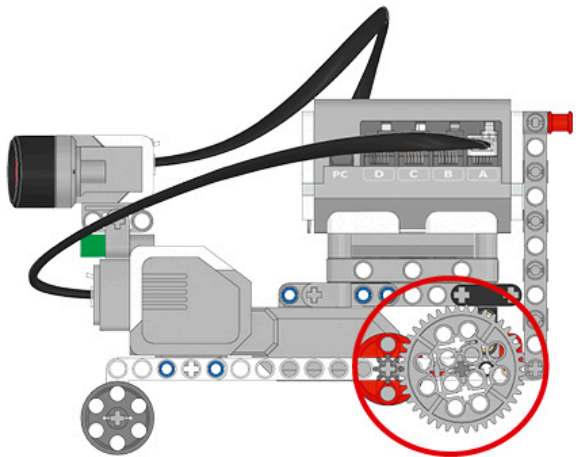
2



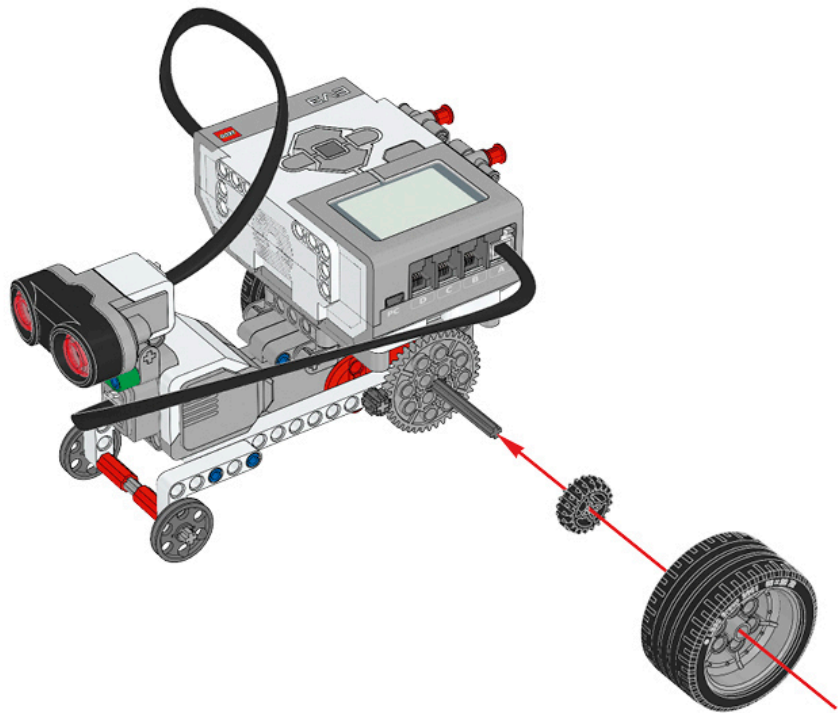


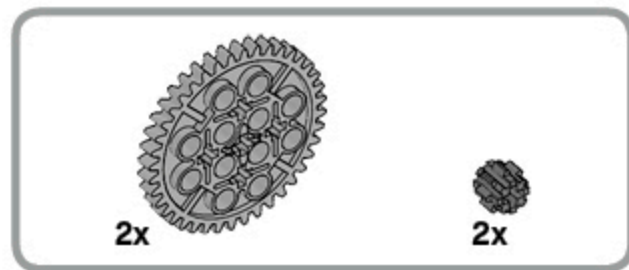


1

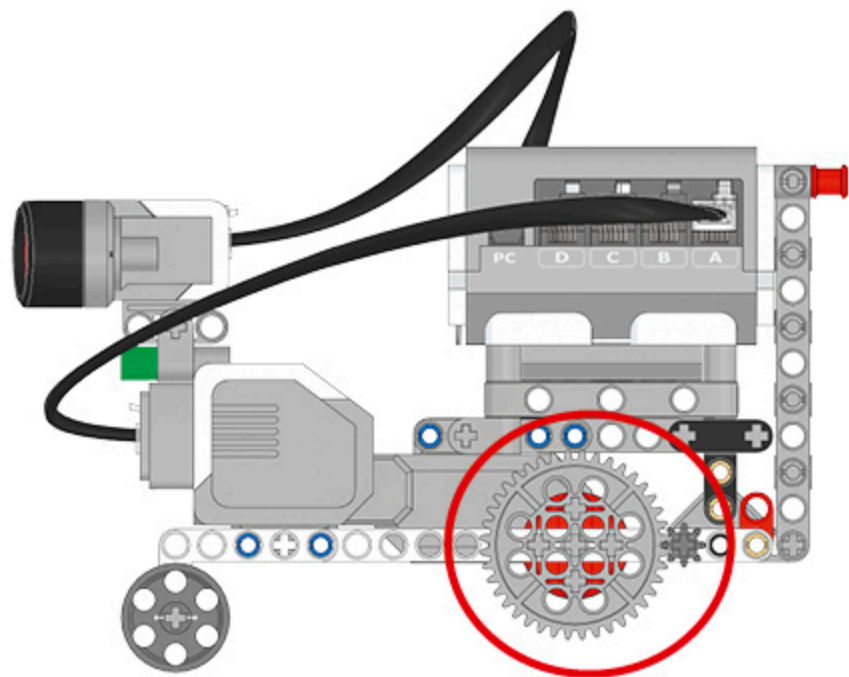


2





1



2

