

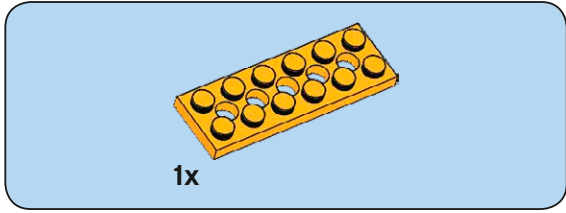
45300

LEGO and the LEGO logo are trademarks of the/son des marques de commerce
du/son marcas registradas de LEGO Group. ©2015 The LEGO Group. 088360.

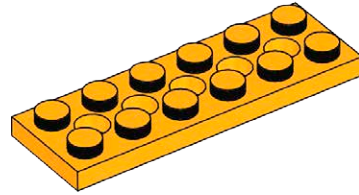


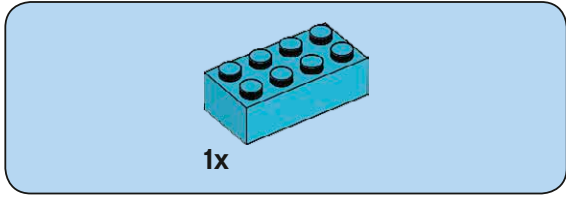
45300

LEGO and the LEGO logo are trademarks of the/son des marques de commerce
du/son marcas registradas de LEGO Group. ©2015 The LEGO Group. 088360.

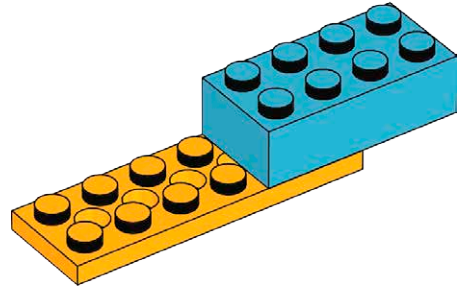


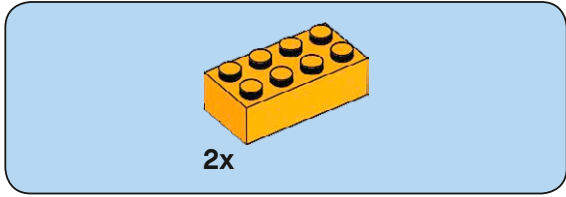
1



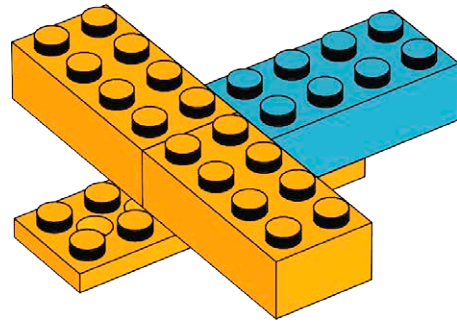


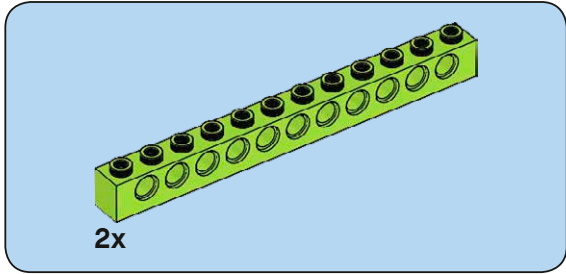
2



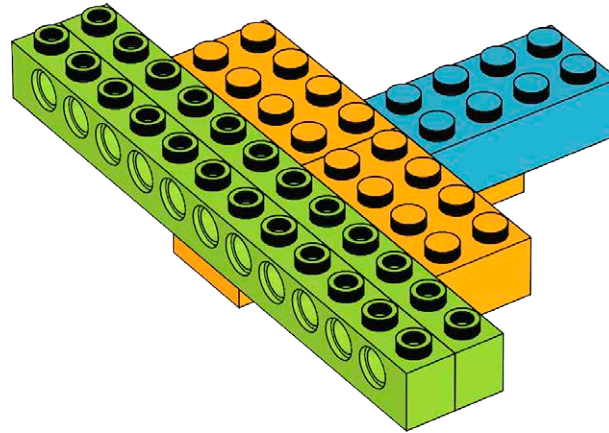


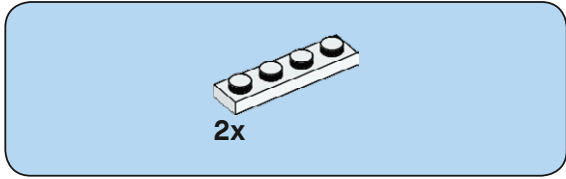
3



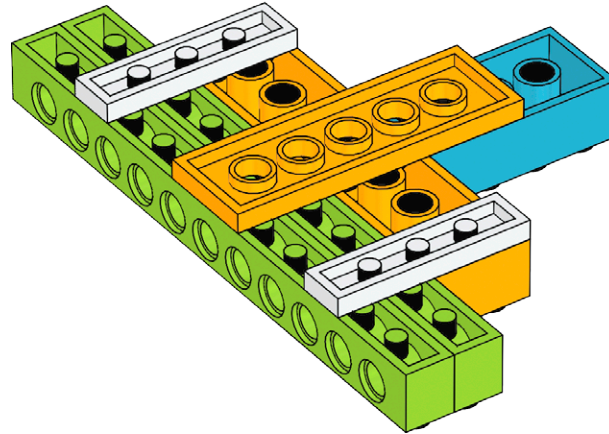


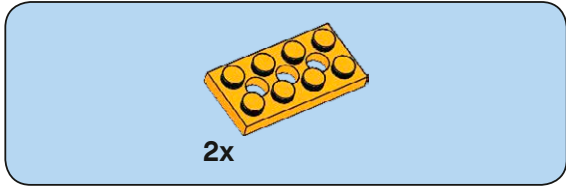
4



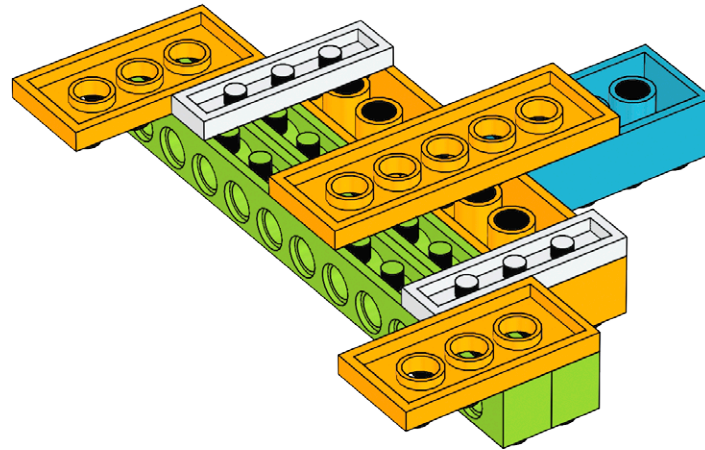


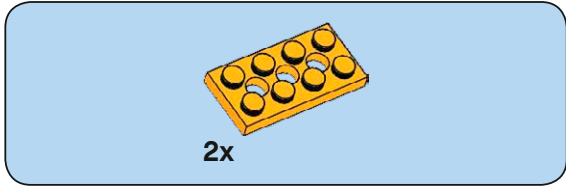
5



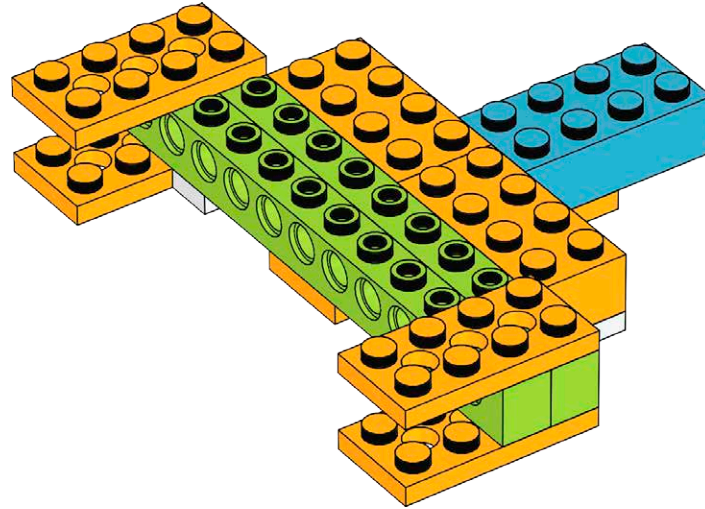
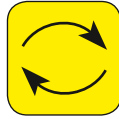


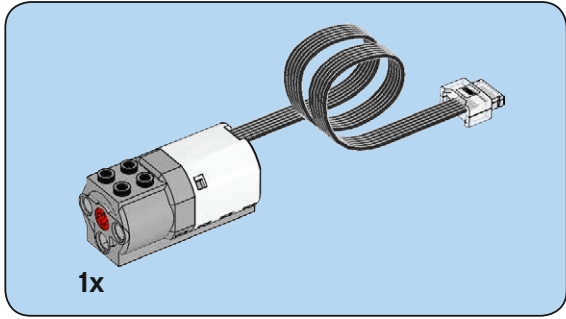
6



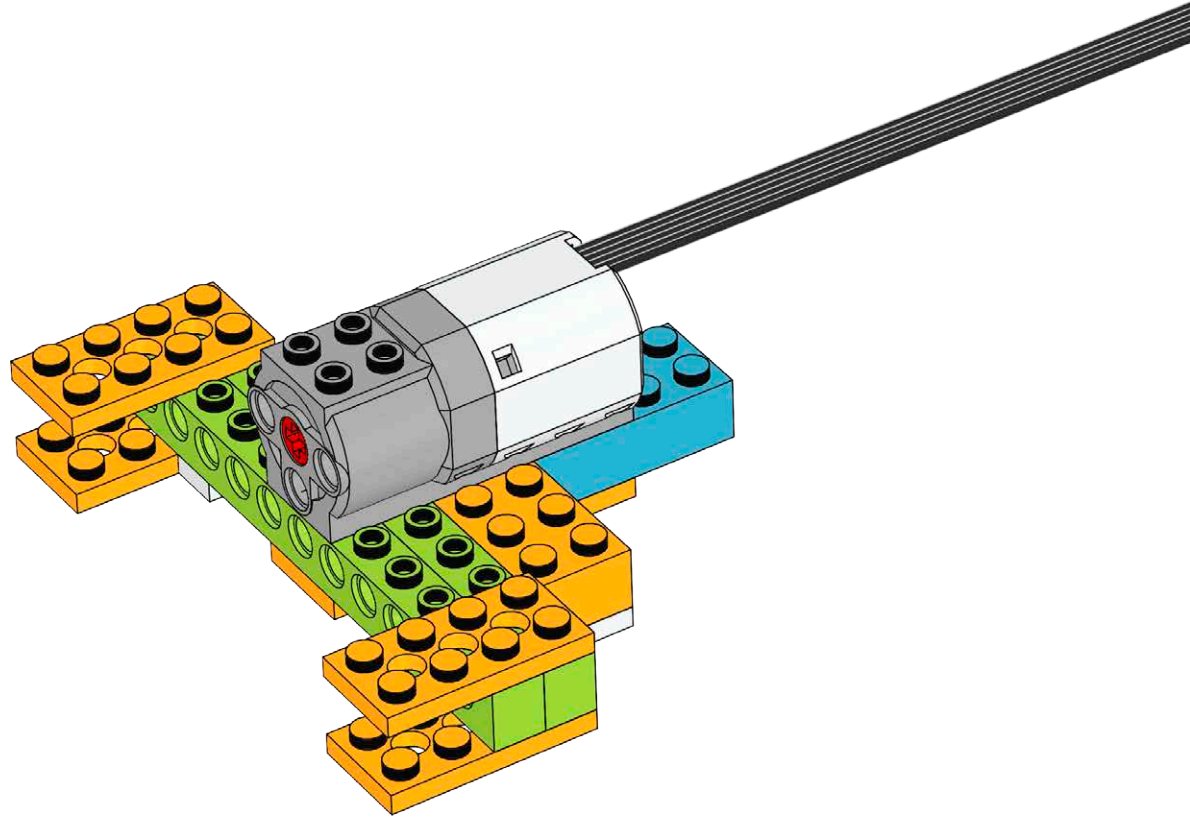


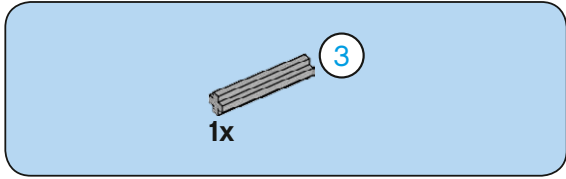
7



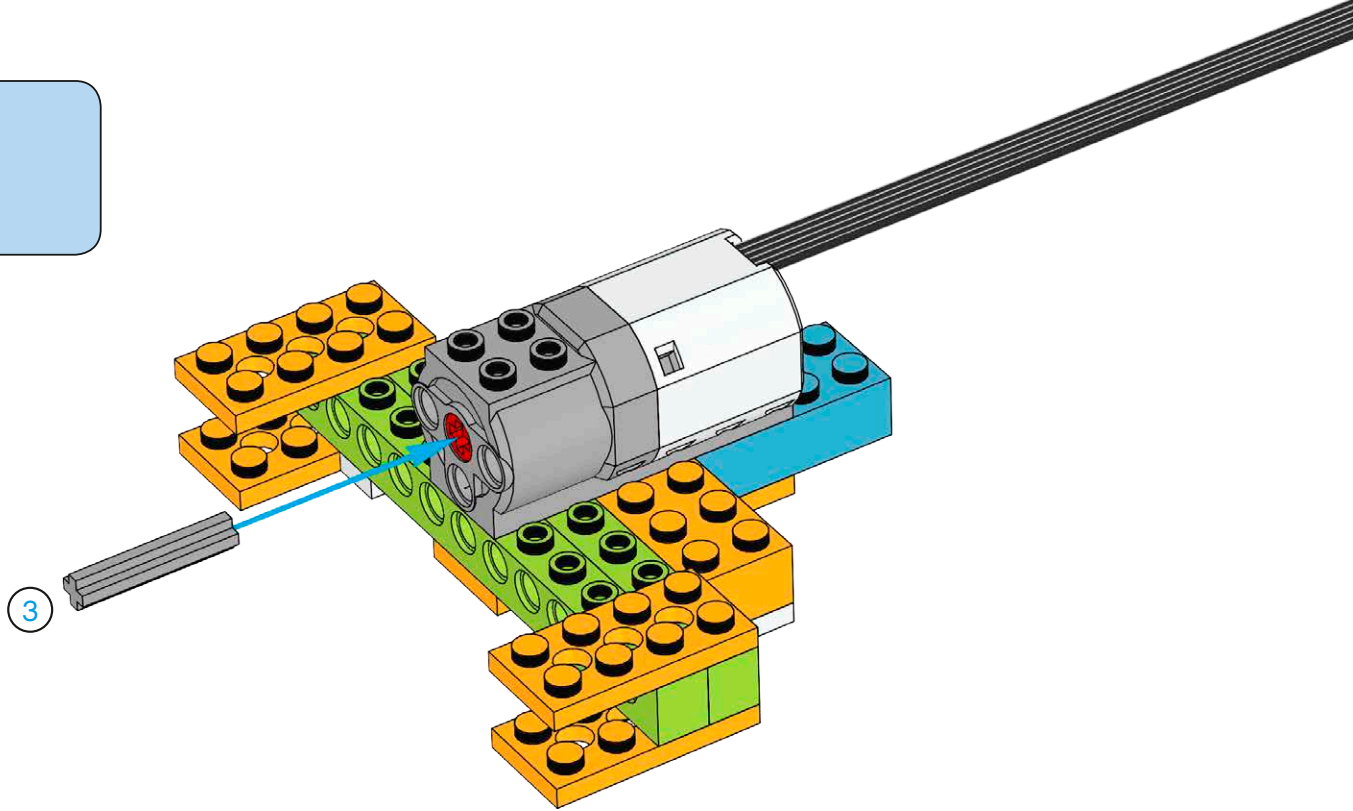


8






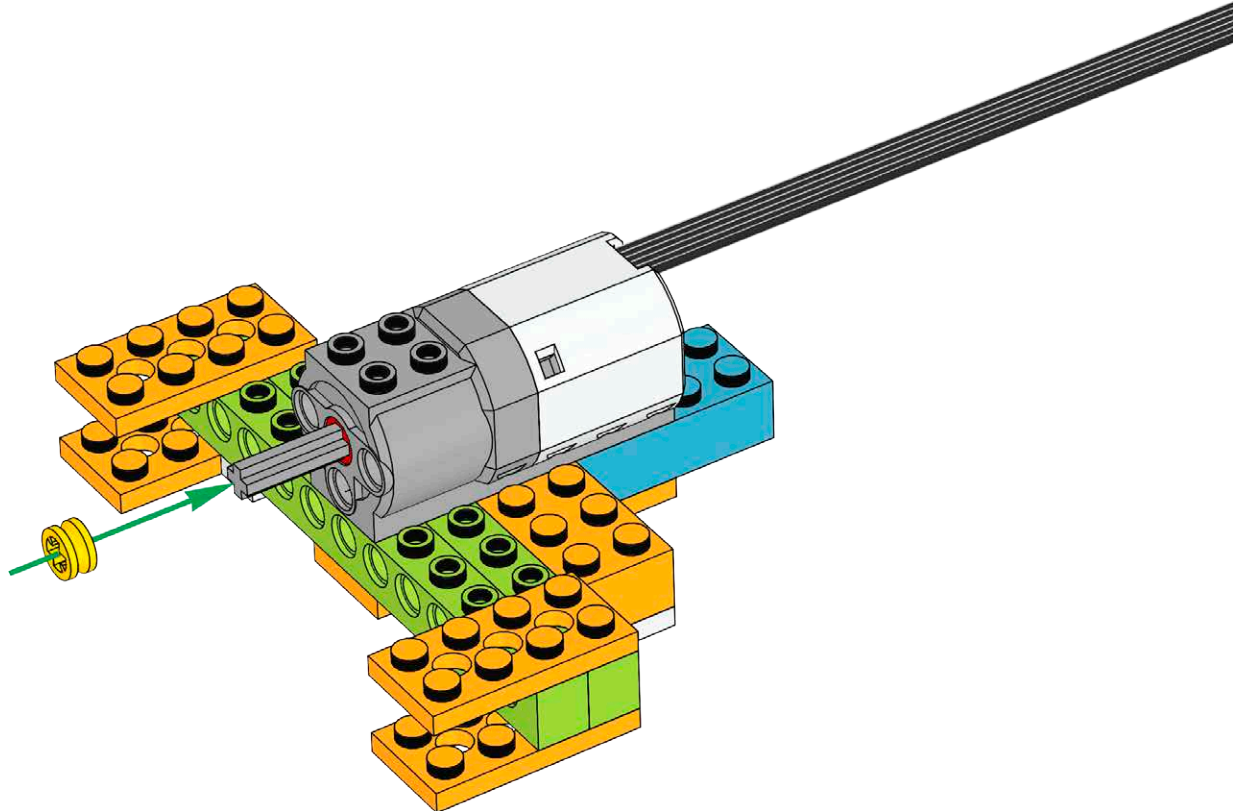
9

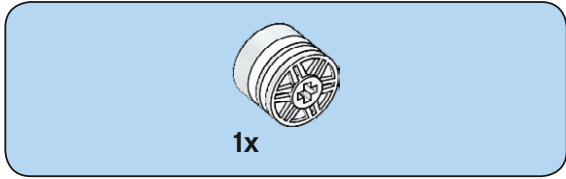


1x

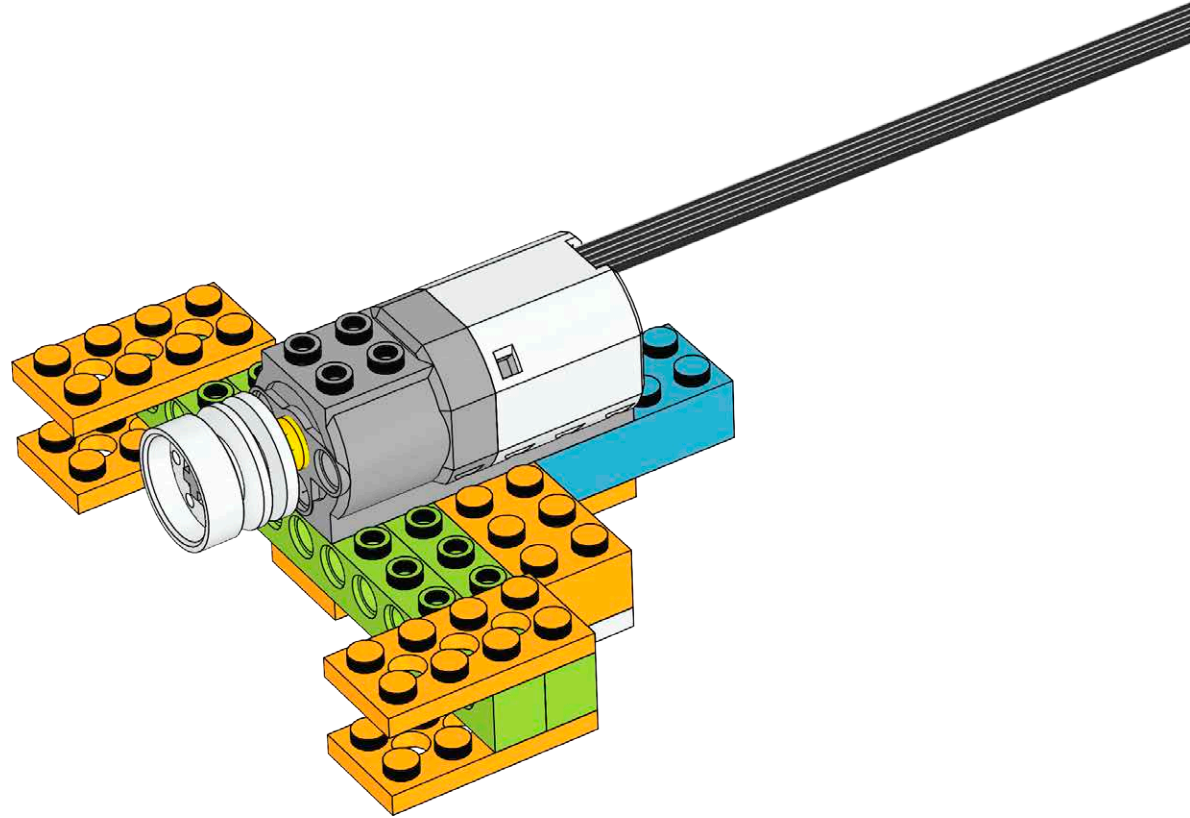


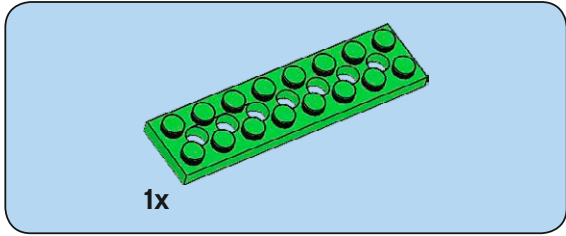
10





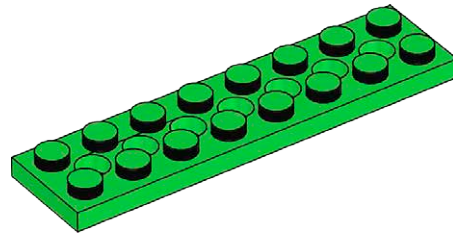
11

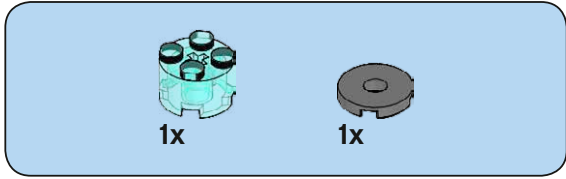




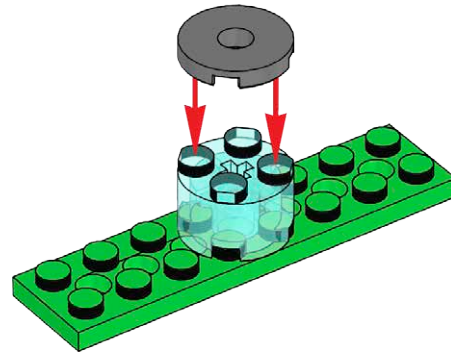
1x

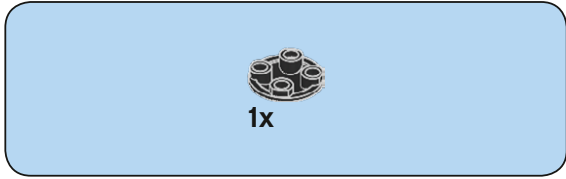
12



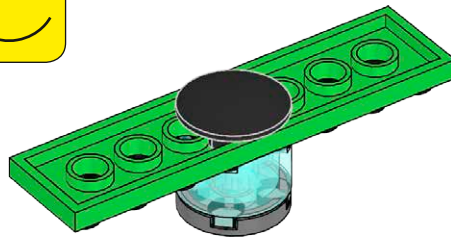
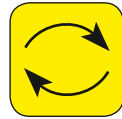


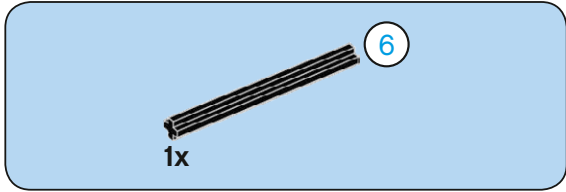
13



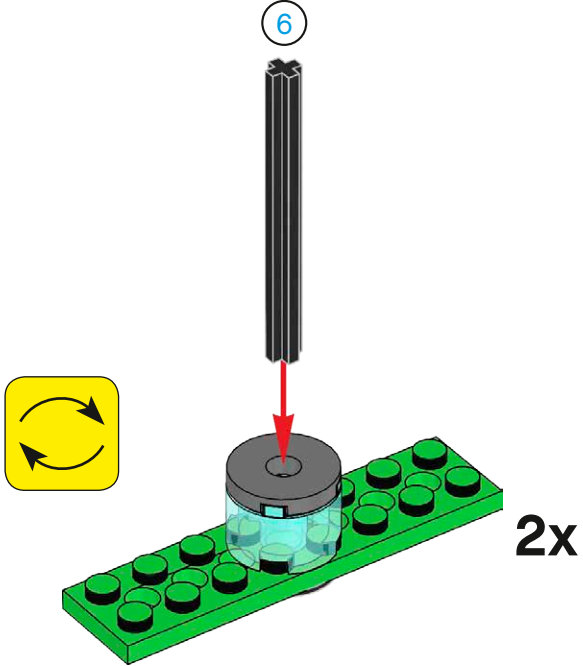


14

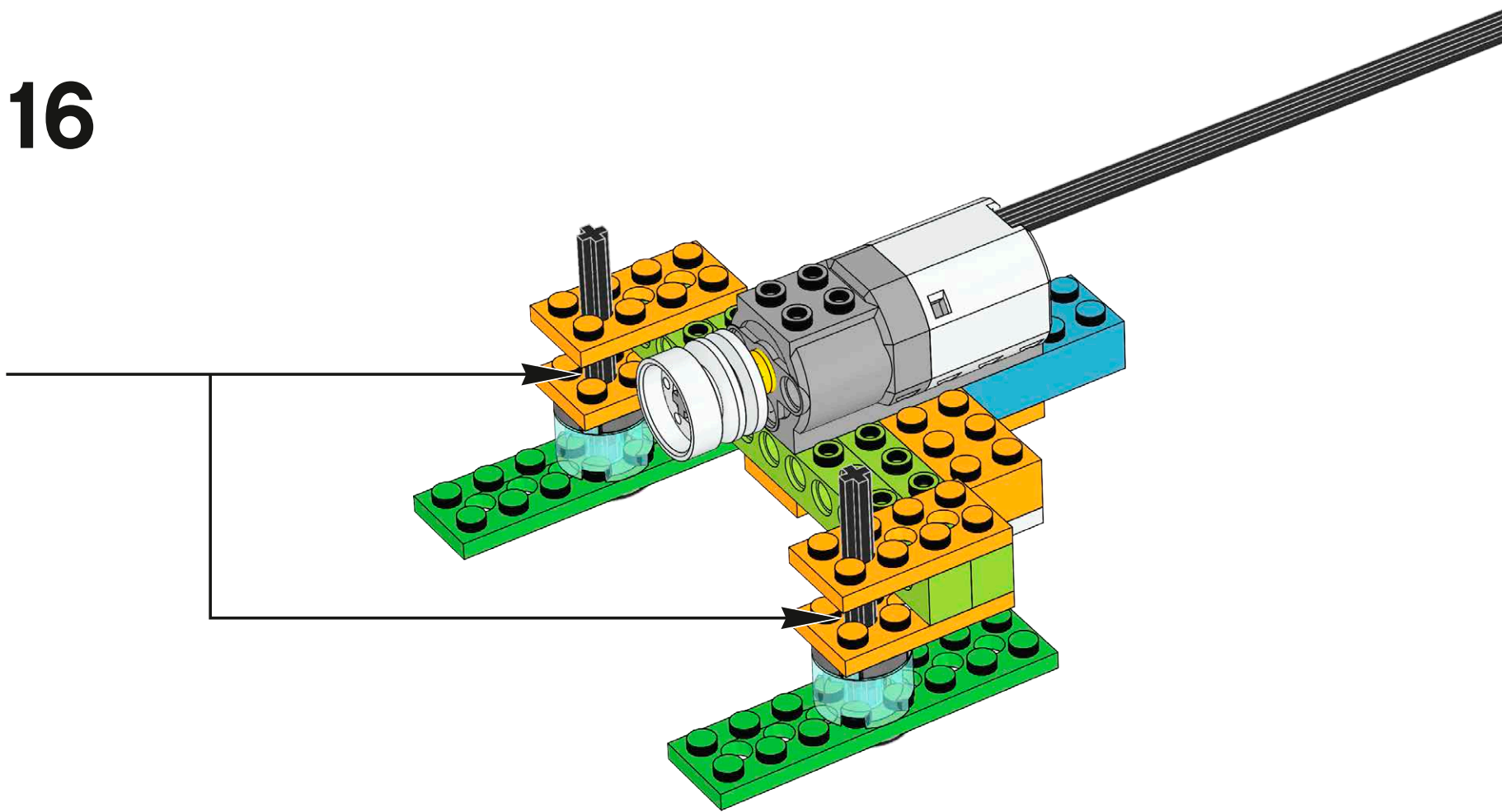




15

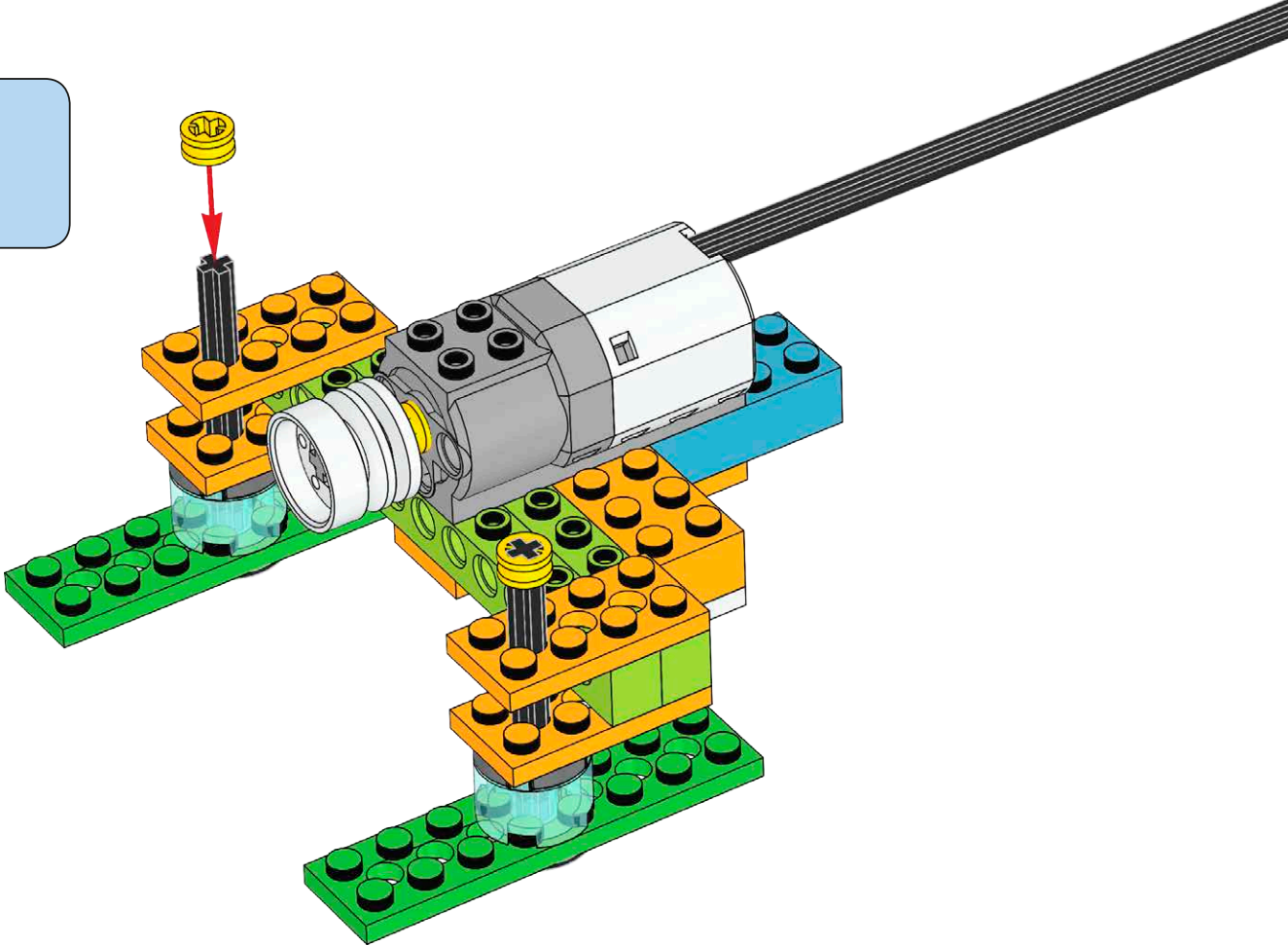


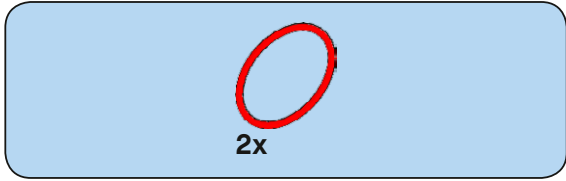
16



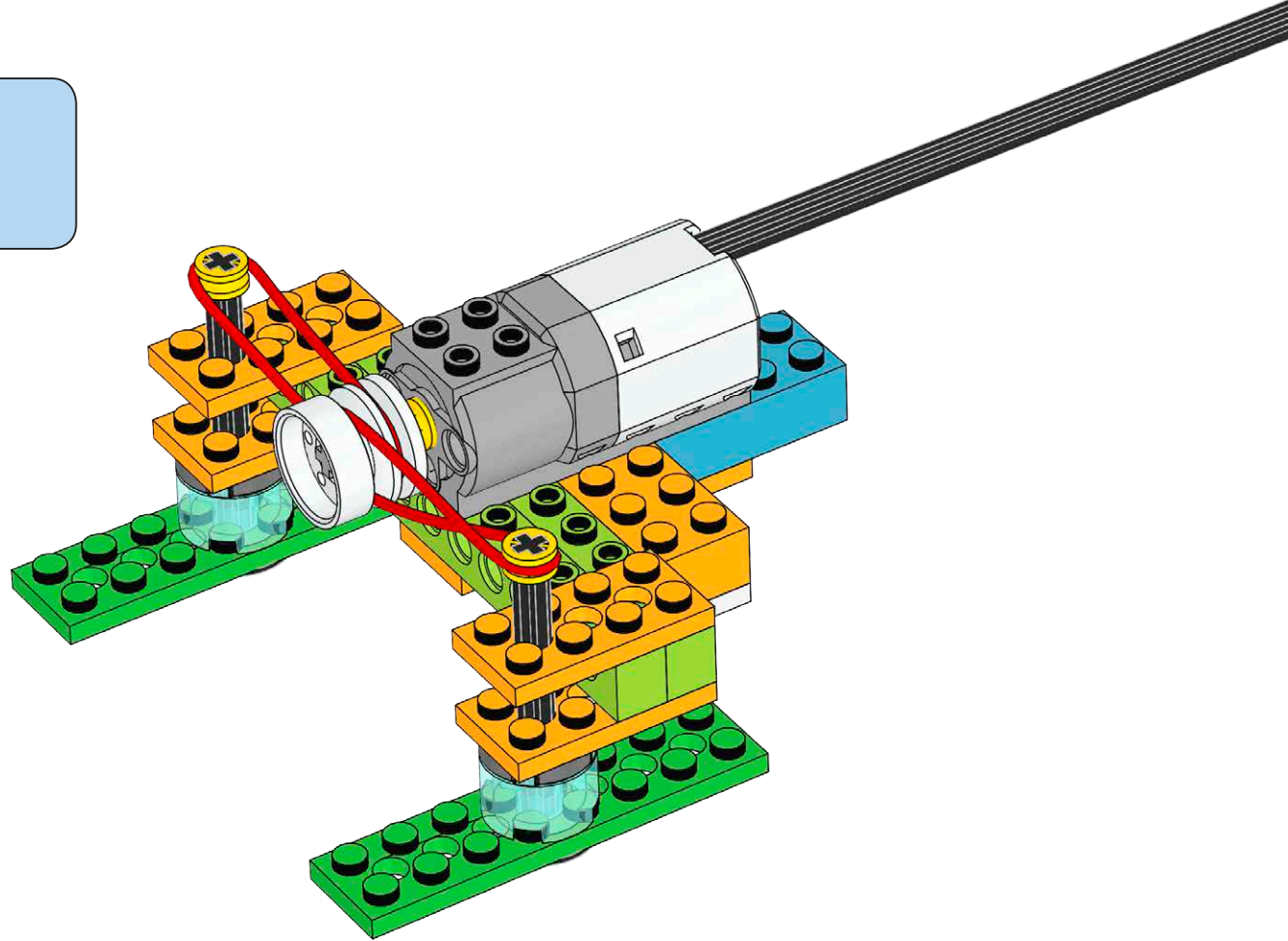
2x 

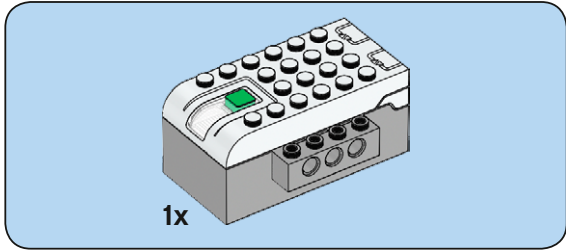
17



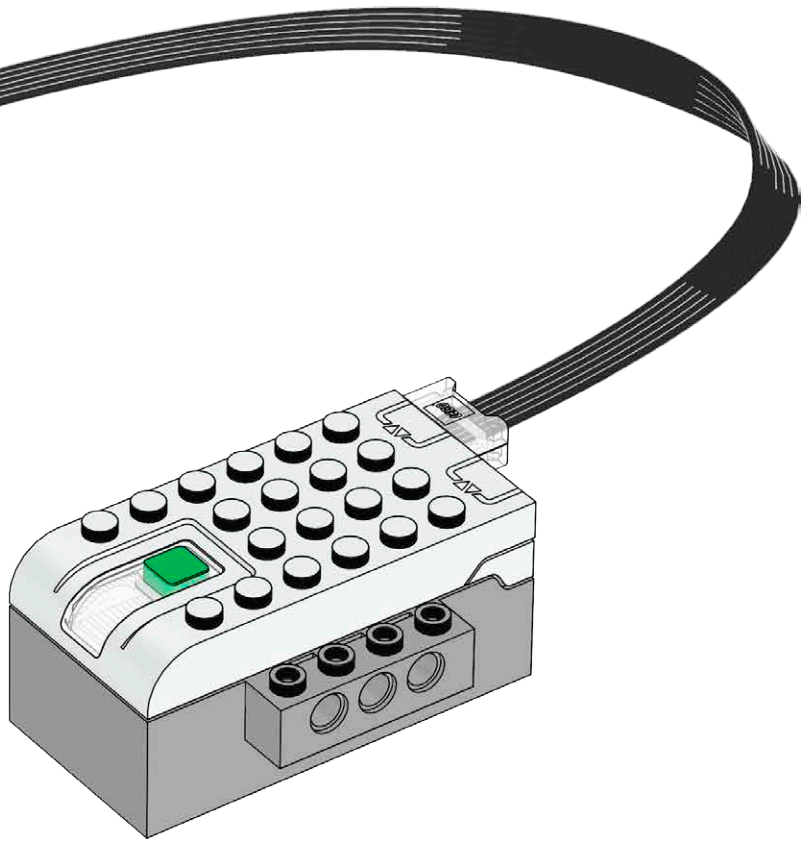
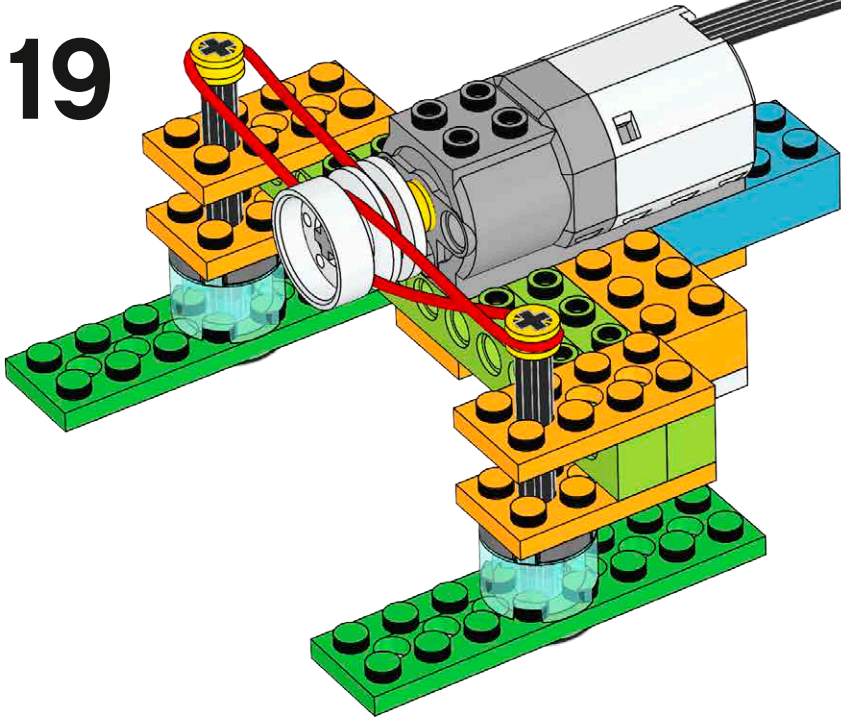


18





19



20

