

**45300**

LEGO and the LEGO logo are trademarks of the/son/ des marques de commerce  
du/son marcas registradas de LEGO Group. ©2015 The LEGO Group. 088360.

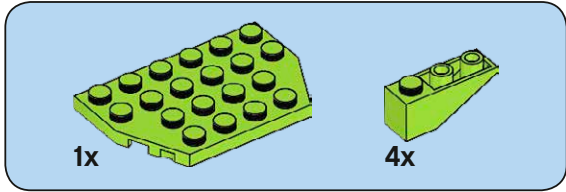


**45300**

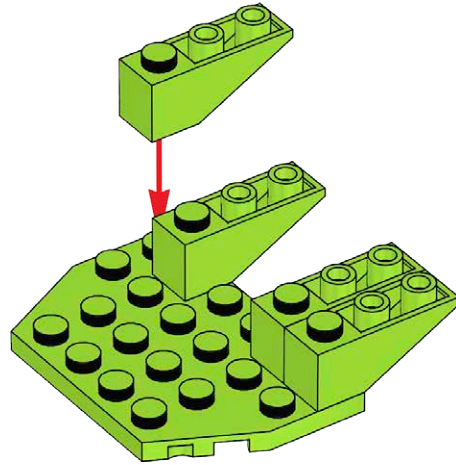
LEGO and the LEGO logo are trademarks of the/son des marques de commerce  
du/son marcas registradas de LEGO Group. ©2015 The LEGO Group. 088360.

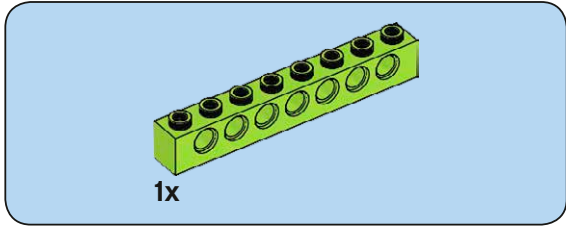


**education**

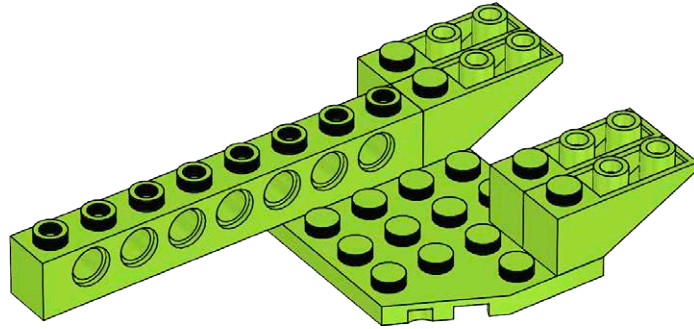


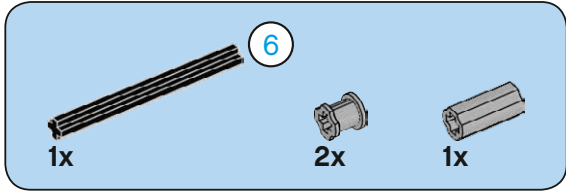
1



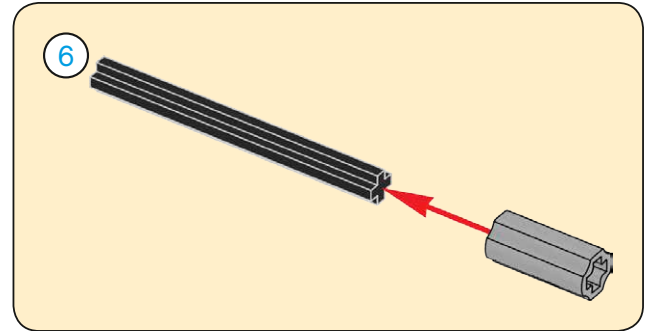
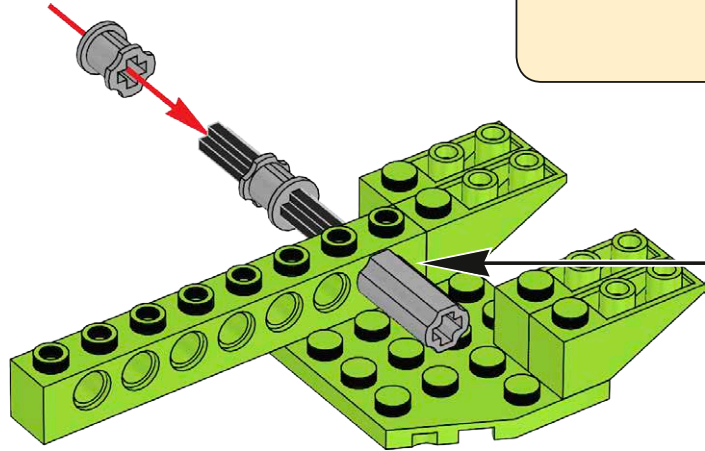


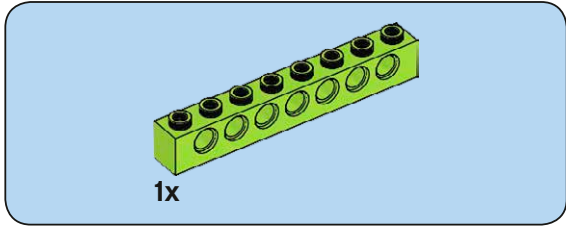
2



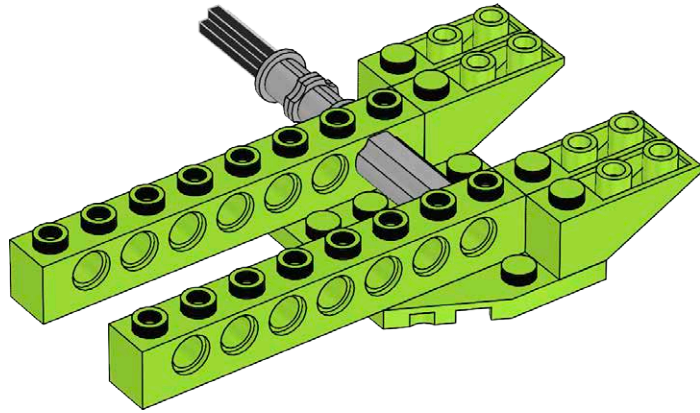


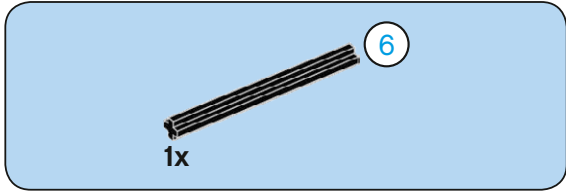
**3**



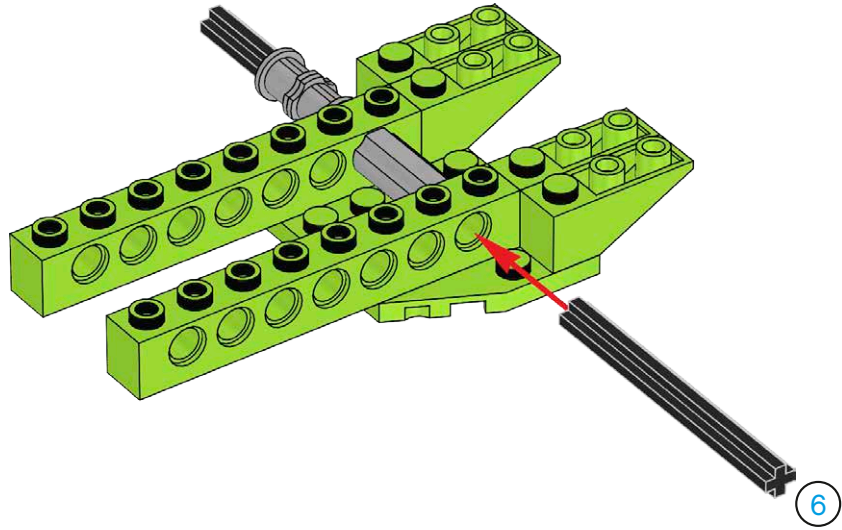


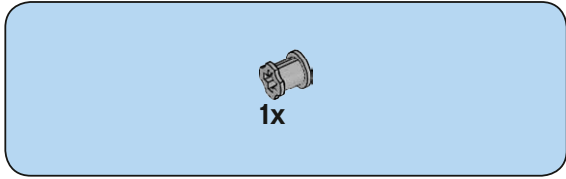
4



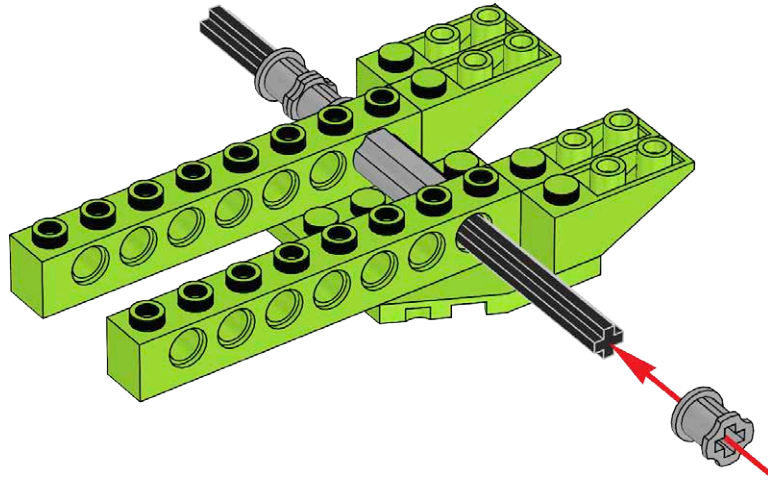


5

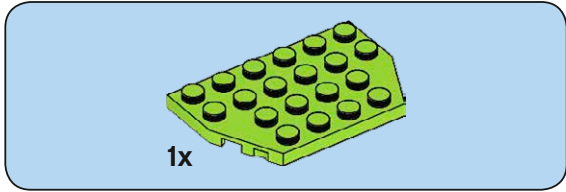




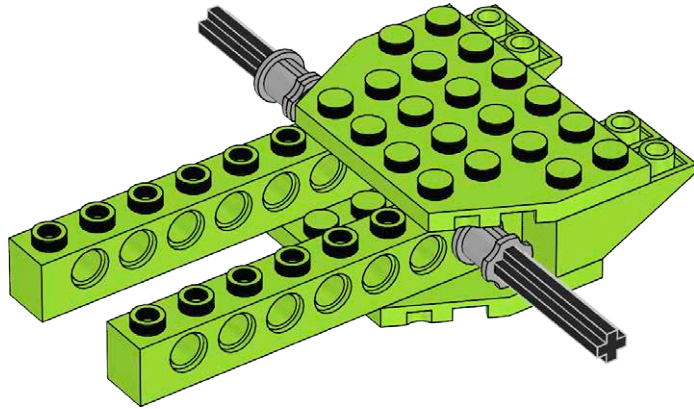
6

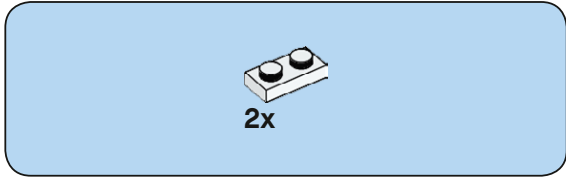




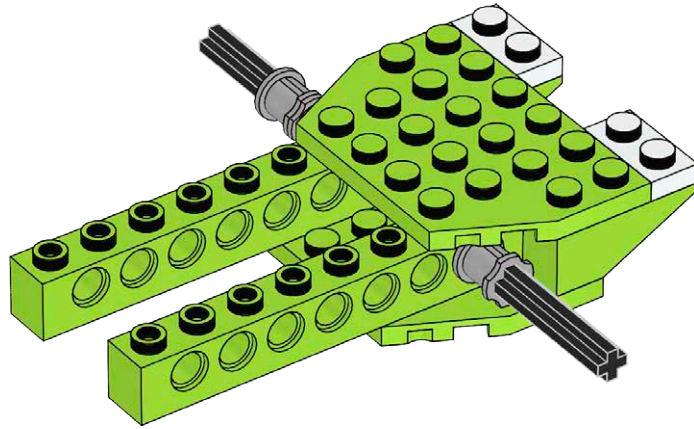


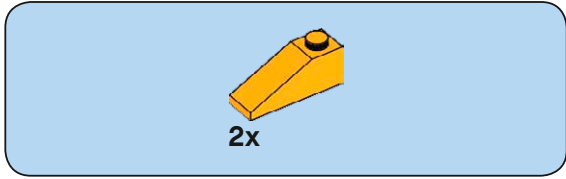
7



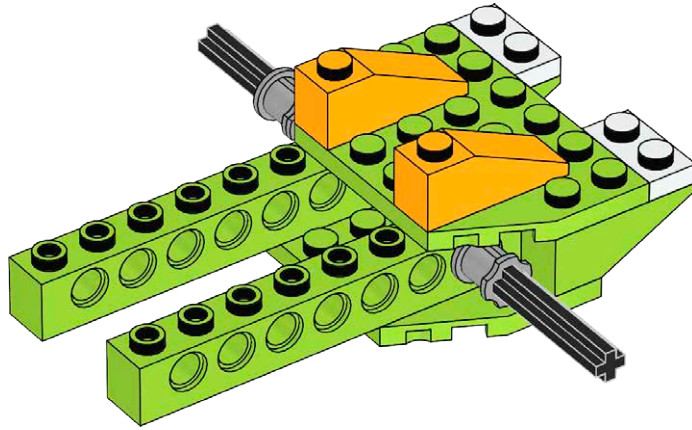


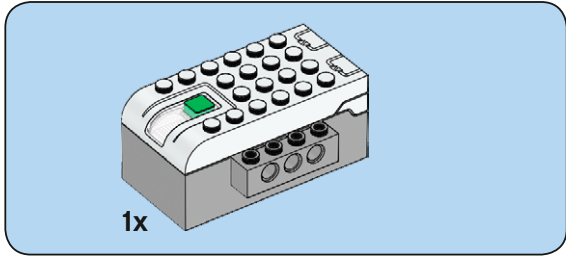
8



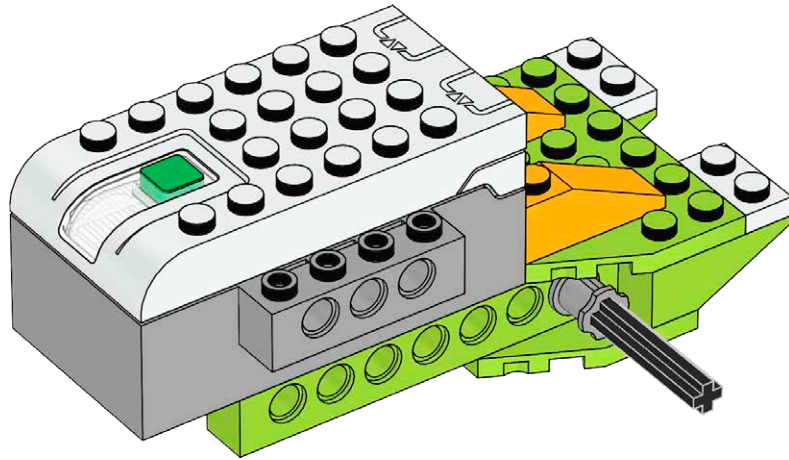


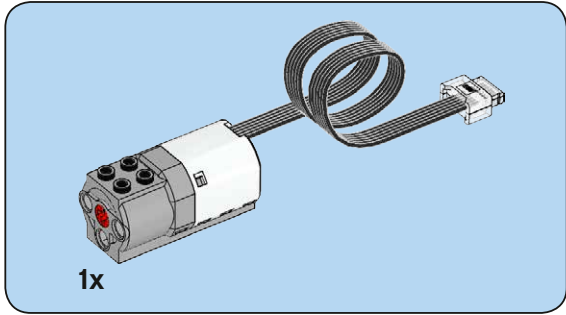
9



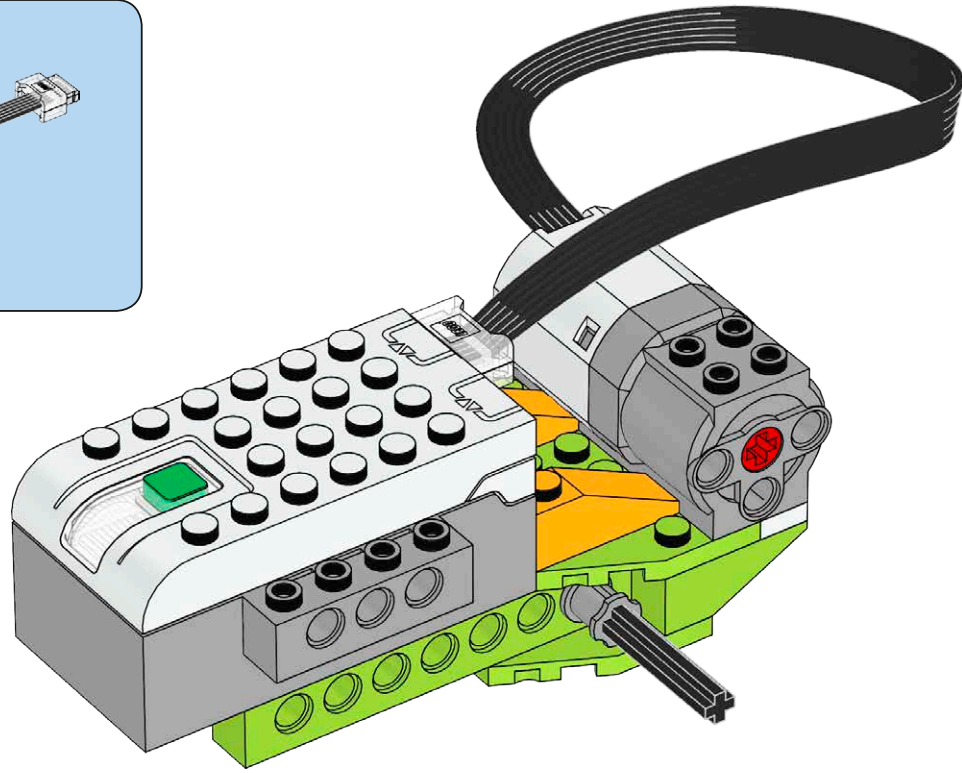


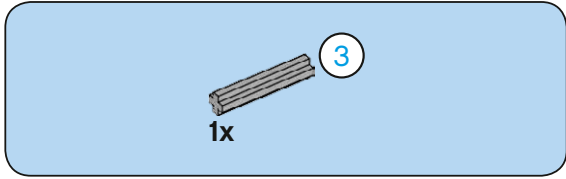
10



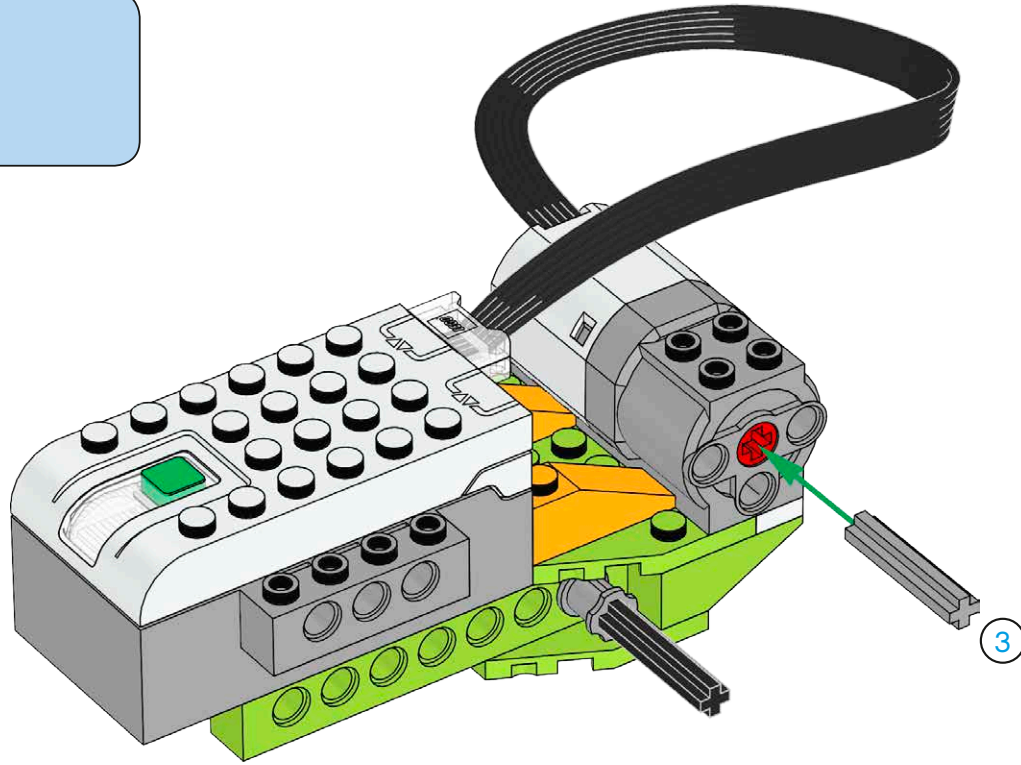


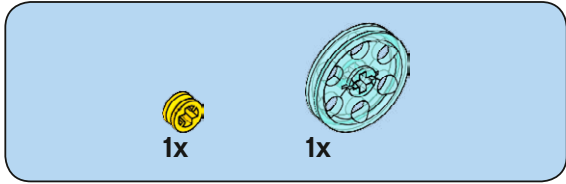
11



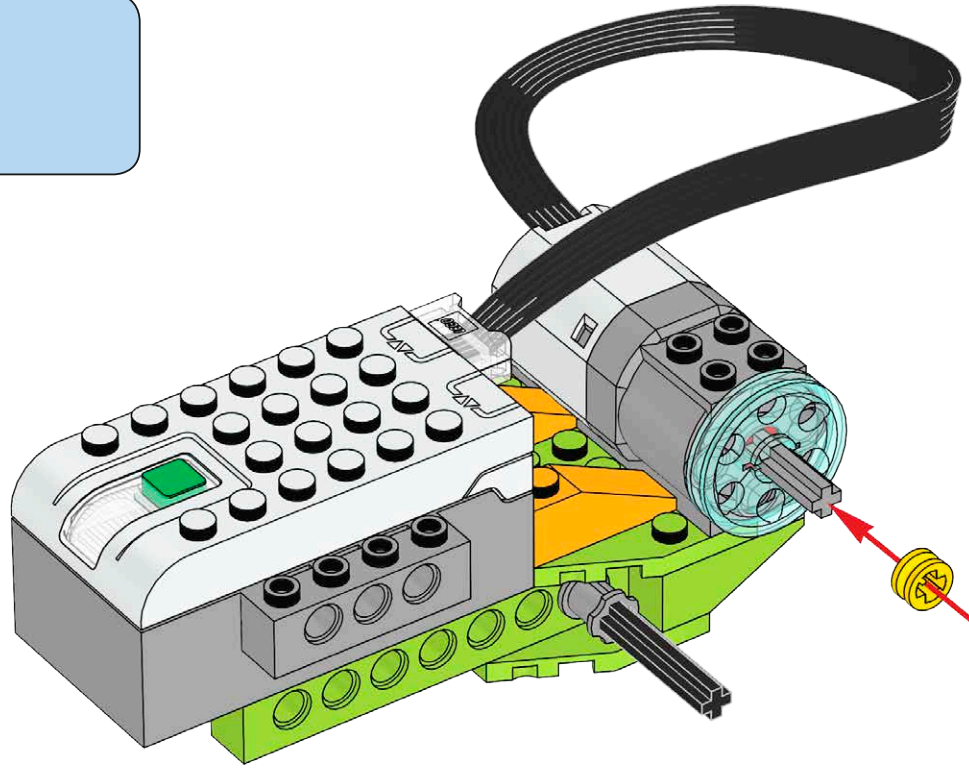


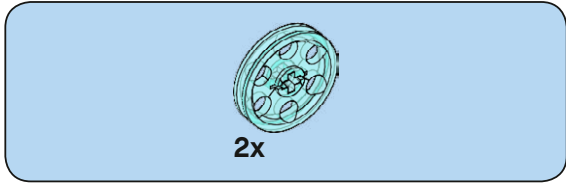
12



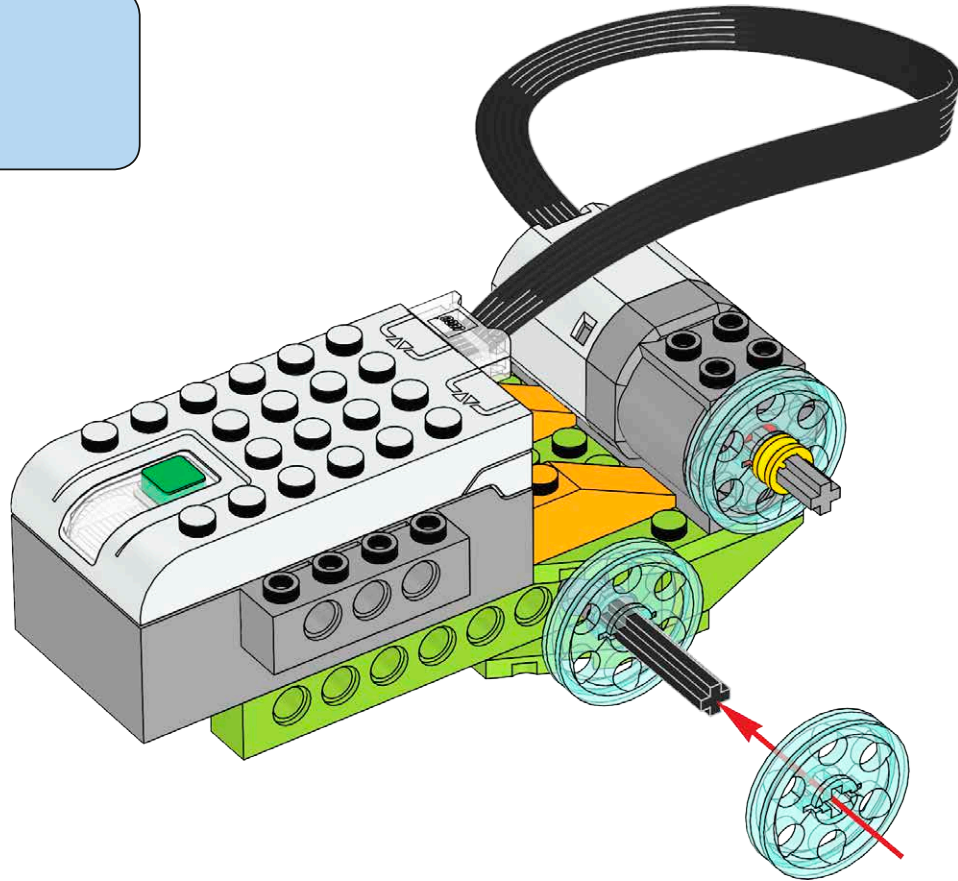


13

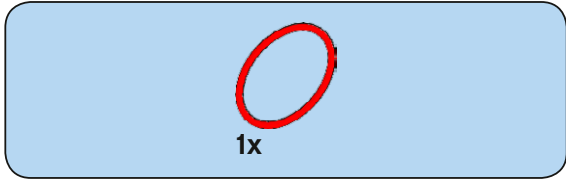




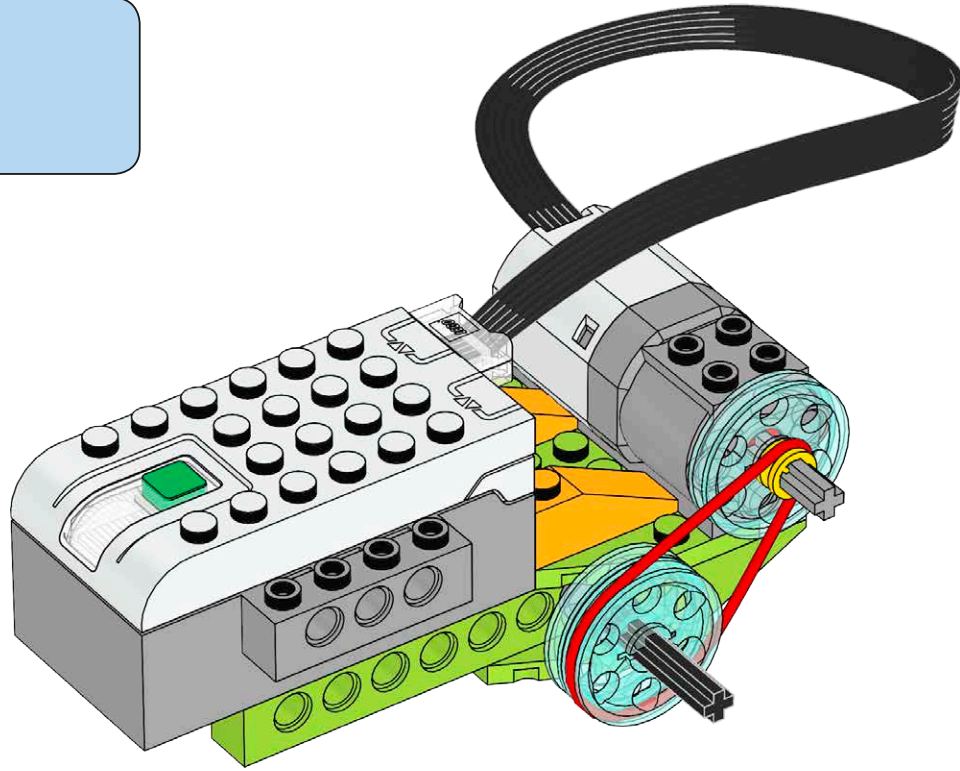
14

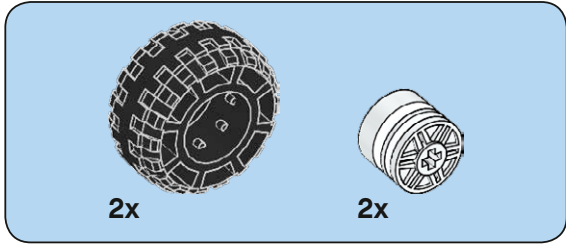






15





16

