

# Safe Crossing

## Keeping Animals and Humans Safe

Build an automated crossing that lets animals and humans safely pass.



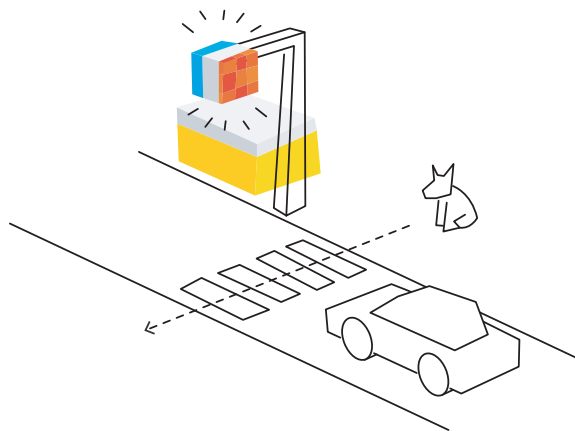
### Think like a designer:

What can you create to help keep humans and/or animals safe when new roads are built?  
How might sensors and signals help humans know to make way for animals?

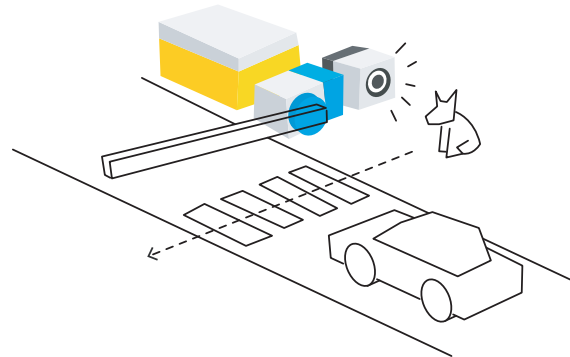


### Example Ideas

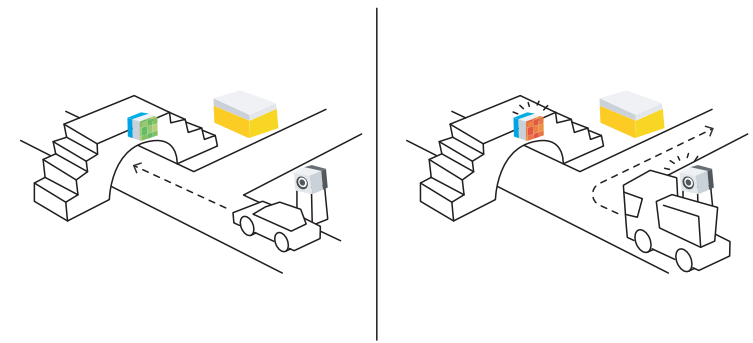
What automated features can help animals and humans to safely pass?



A traffic light to remind drivers to slow down and look for animals.



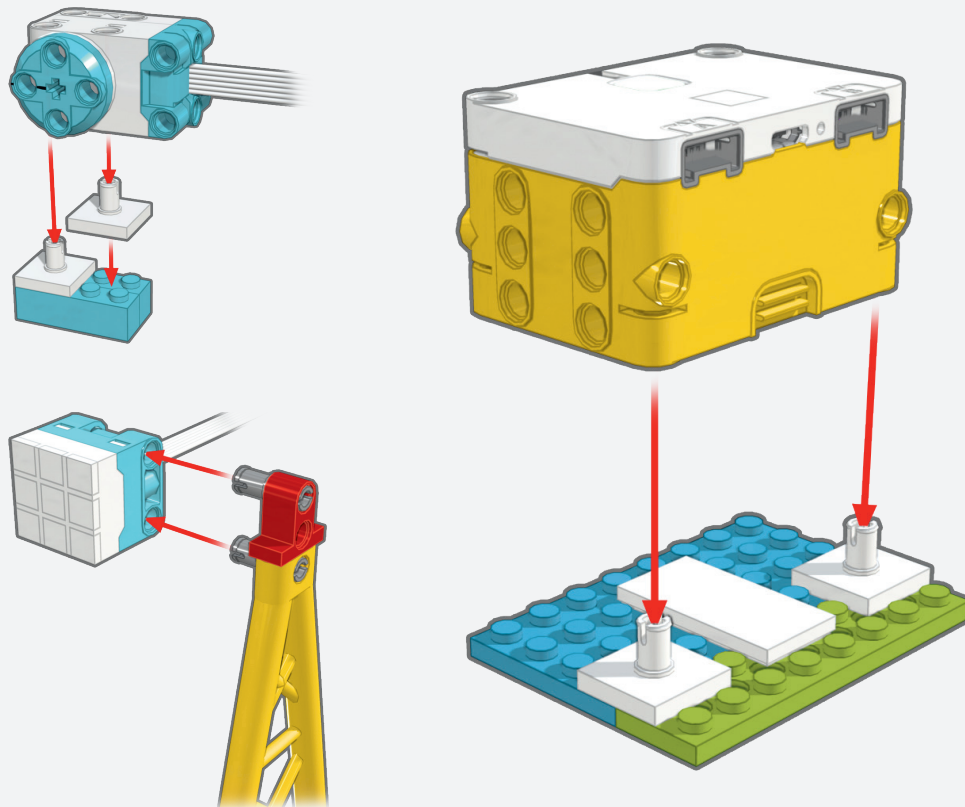
An easy-to-see roadblock for cars when animals are on the road.



A separate path for large trucks that doesn't disturb the animal habitat.

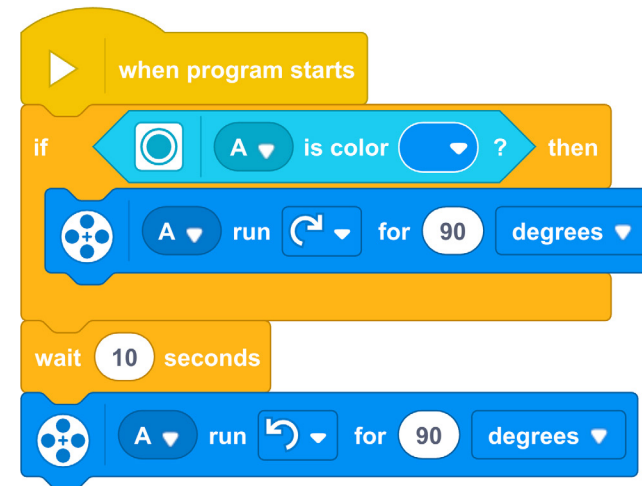
## Build it!

How will you place your device in the environment?



## Code it!

Sample program for the roadblock:



## Describe it!

How does your program work, from top to bottom?

## Modify it!

How can you update the sequence to repeat an action?

## Talk about it!

Why is it important for animals and/or humans to have structures that help them navigate roads safely? How does your device let animals and humans safely pass?