

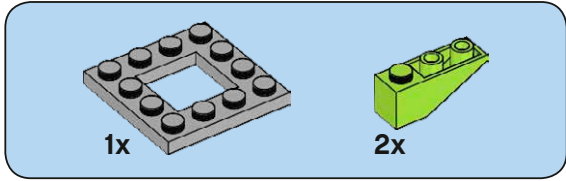
45300

LEGO and the LEGO logo are trademarks of the/son/ des marques de commerce
du/son marcas registradas de LEGO Group. ©2015 The LEGO Group. 088360.

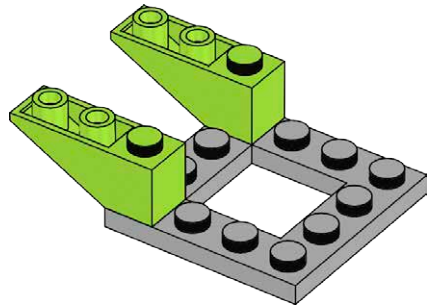


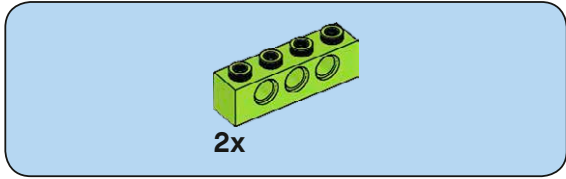
45300

LEGO and the LEGO logo are trademarks of the/son des marques de commerce
du/son marcas registradas de LEGO Group. ©2015 The LEGO Group. 088360.

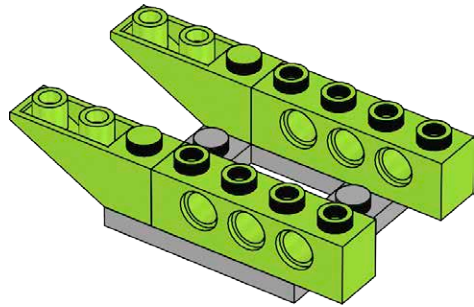


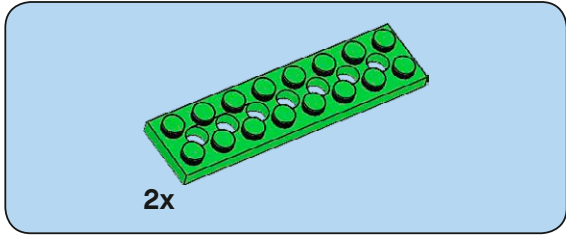
1



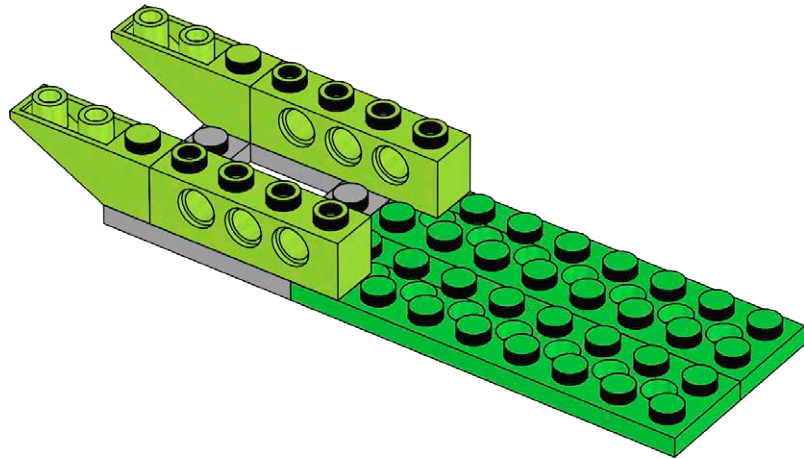


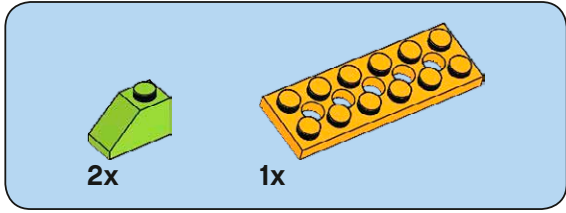
2



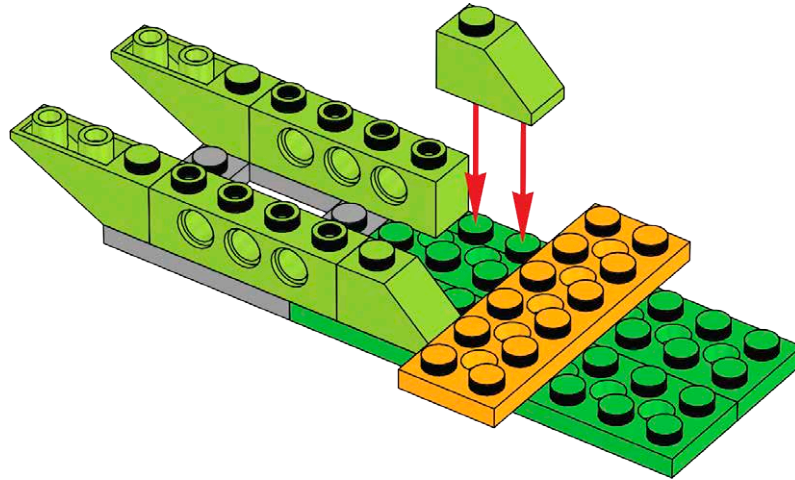


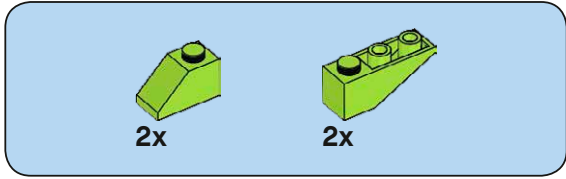
3



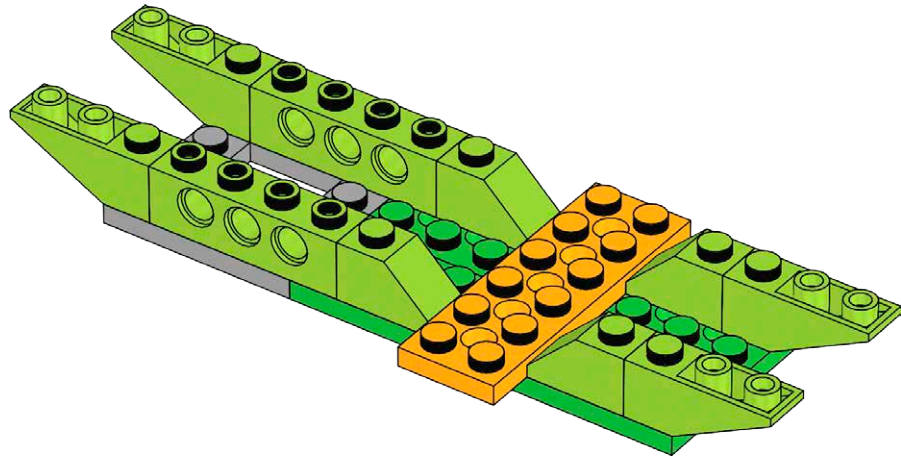


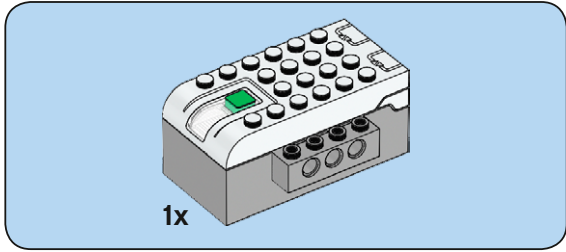
4



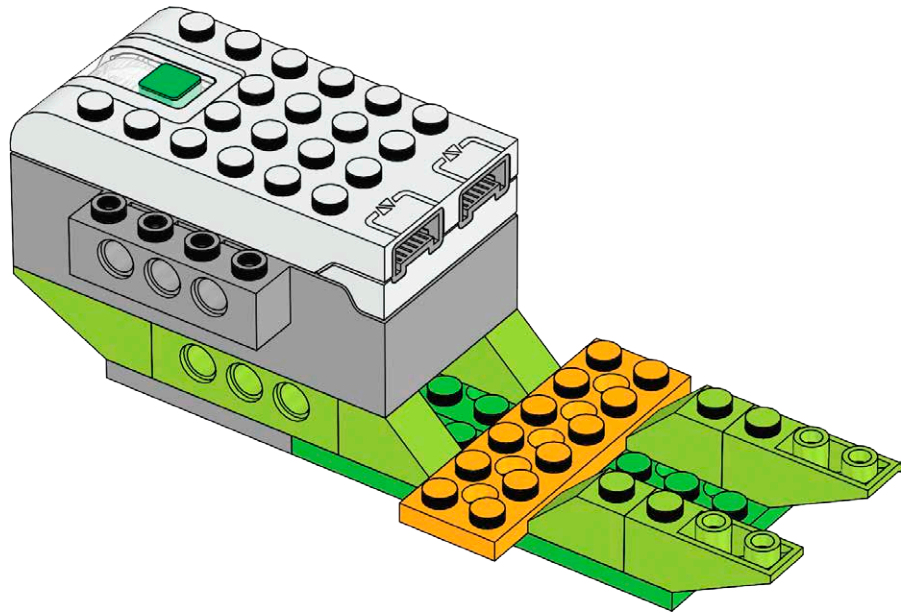


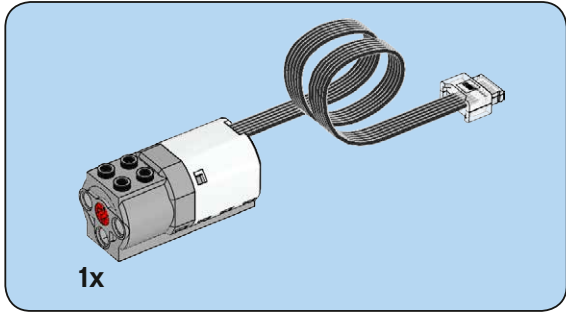
5



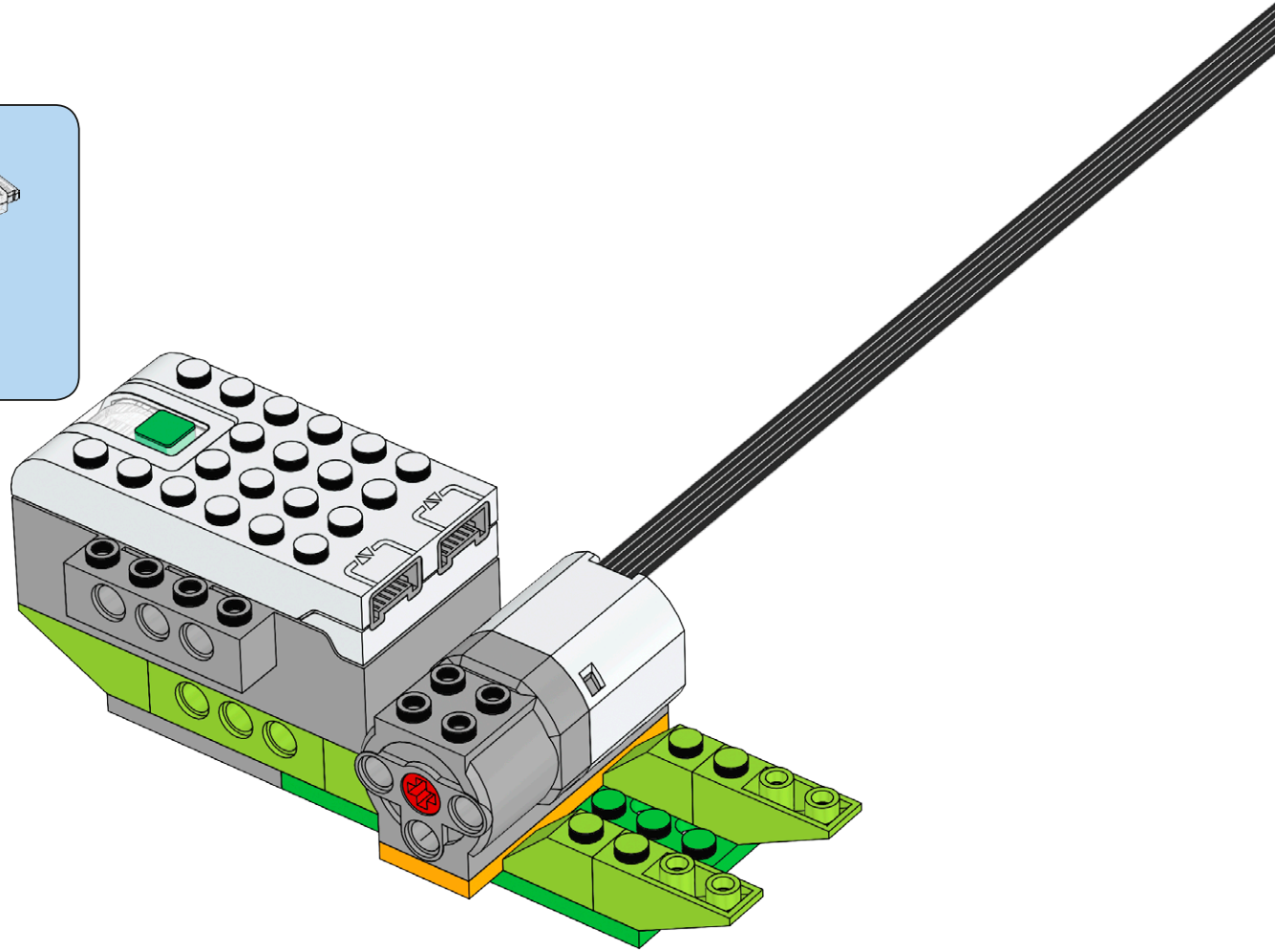


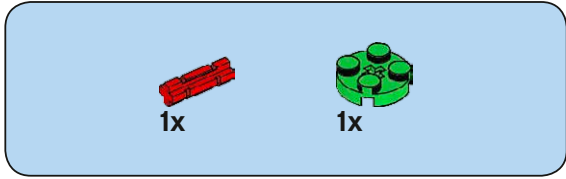
6



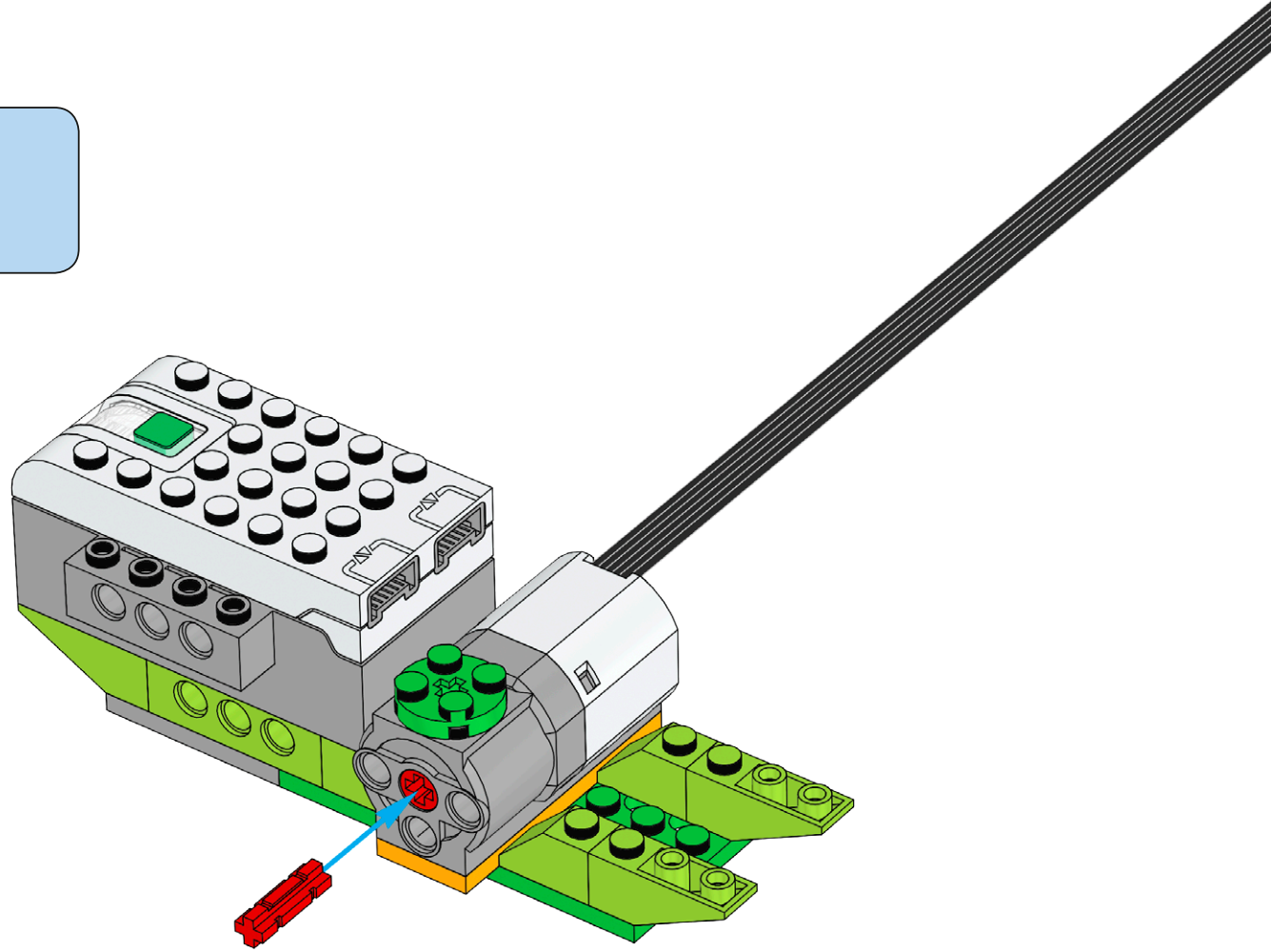



7



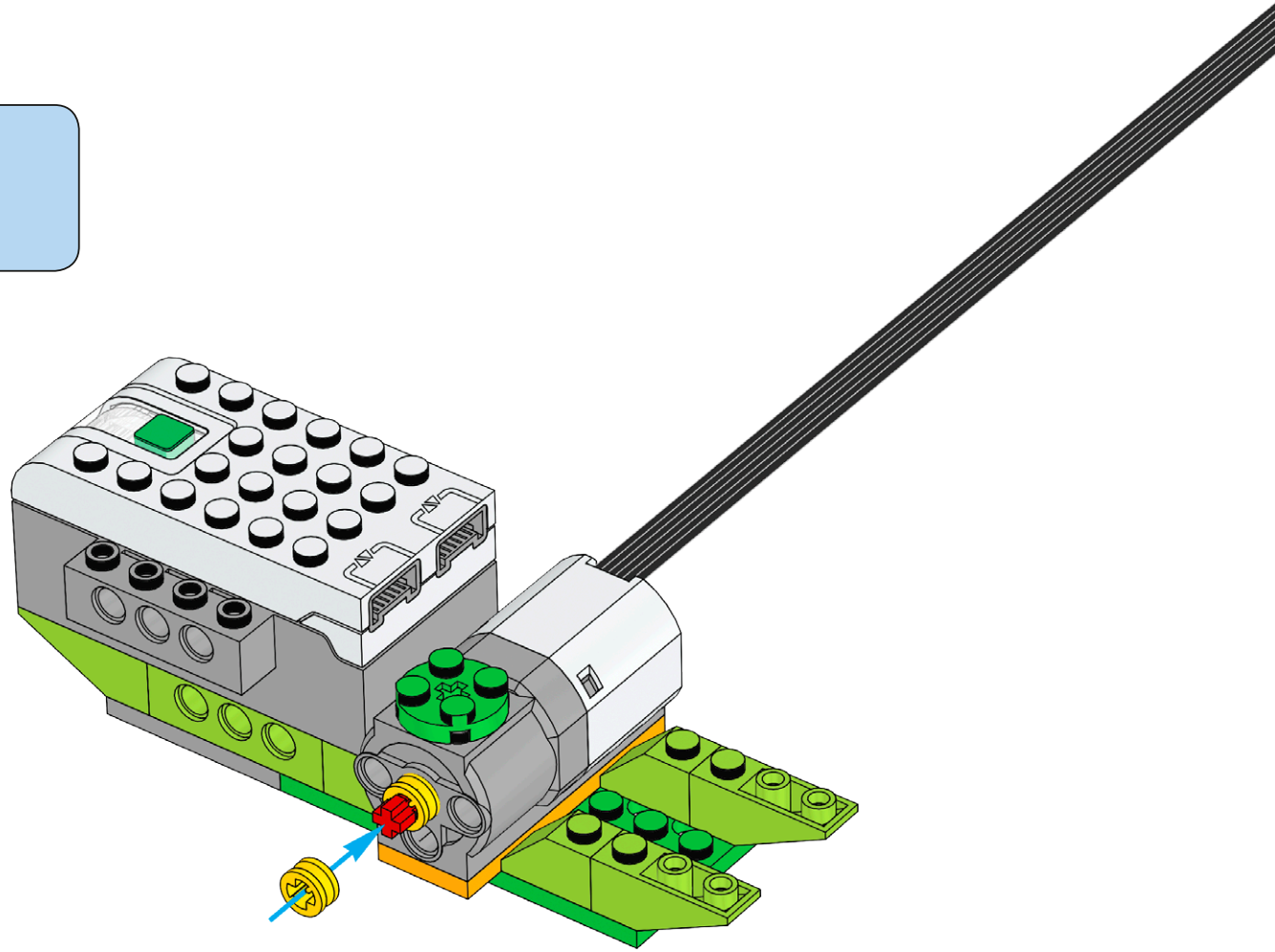


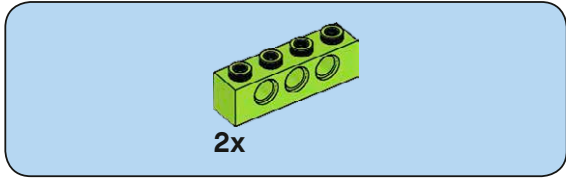
8



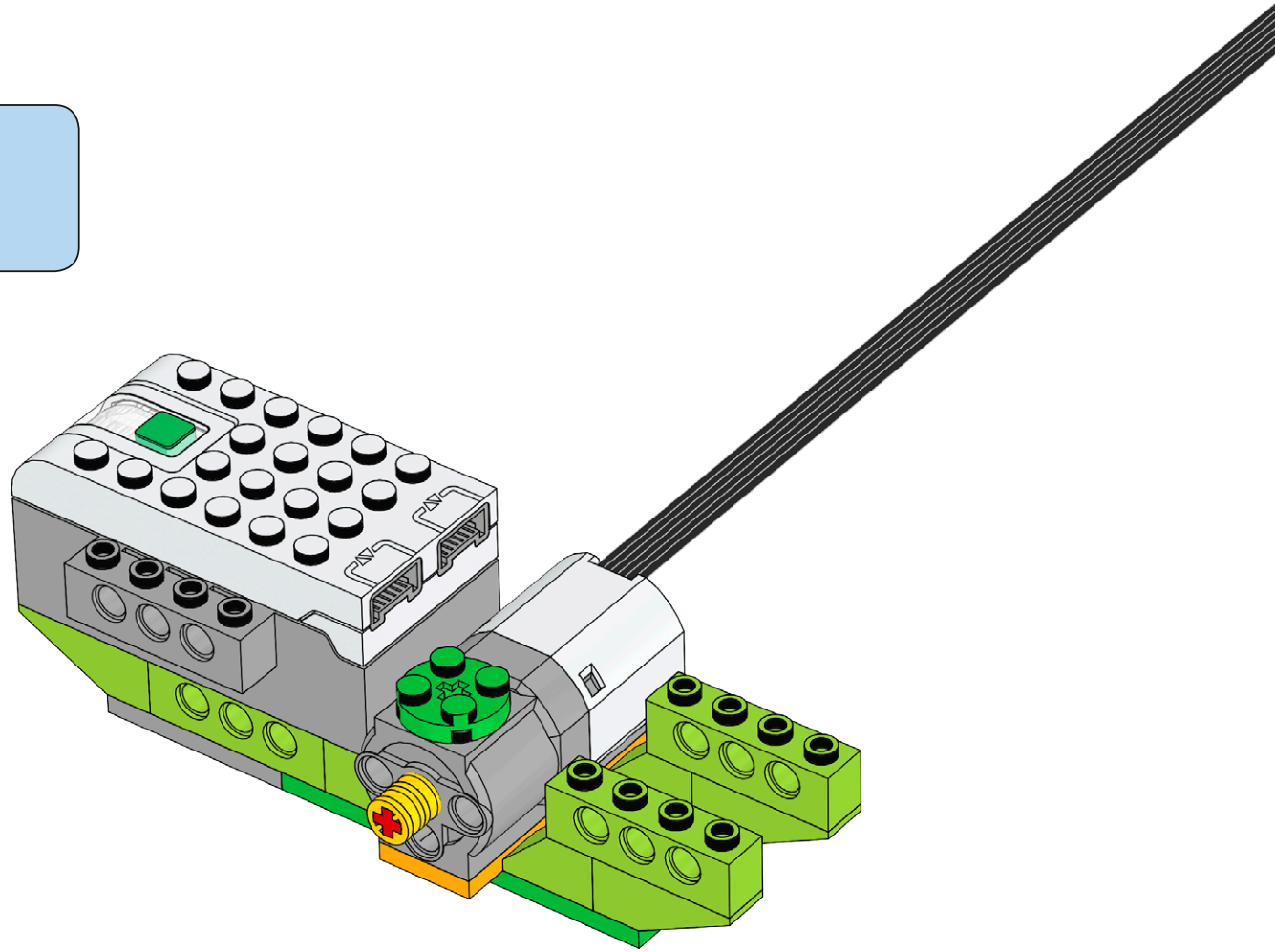

2x

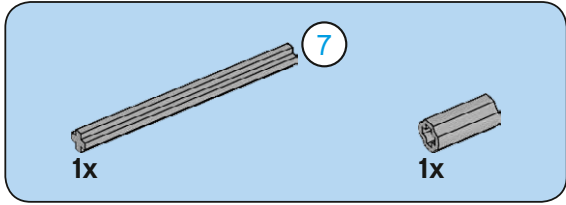
9



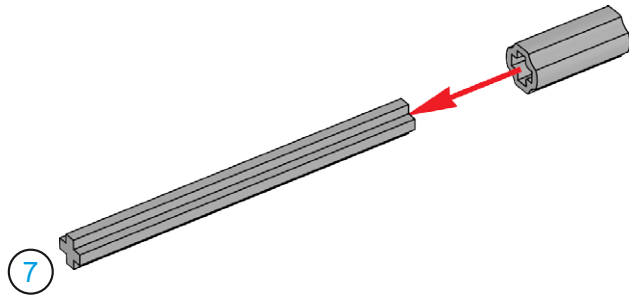


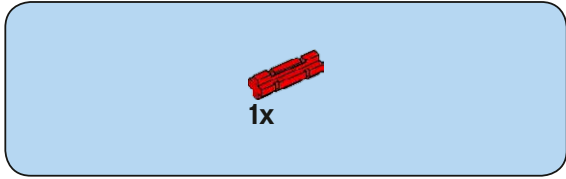
10



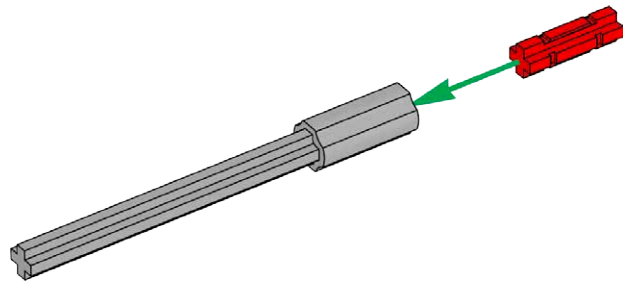


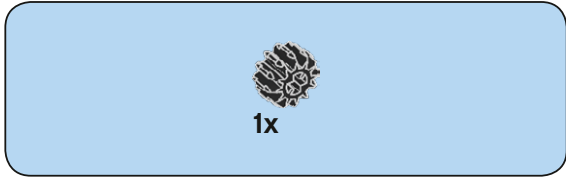
11



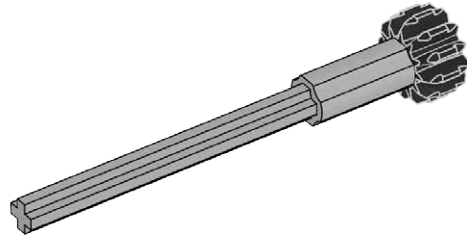


12

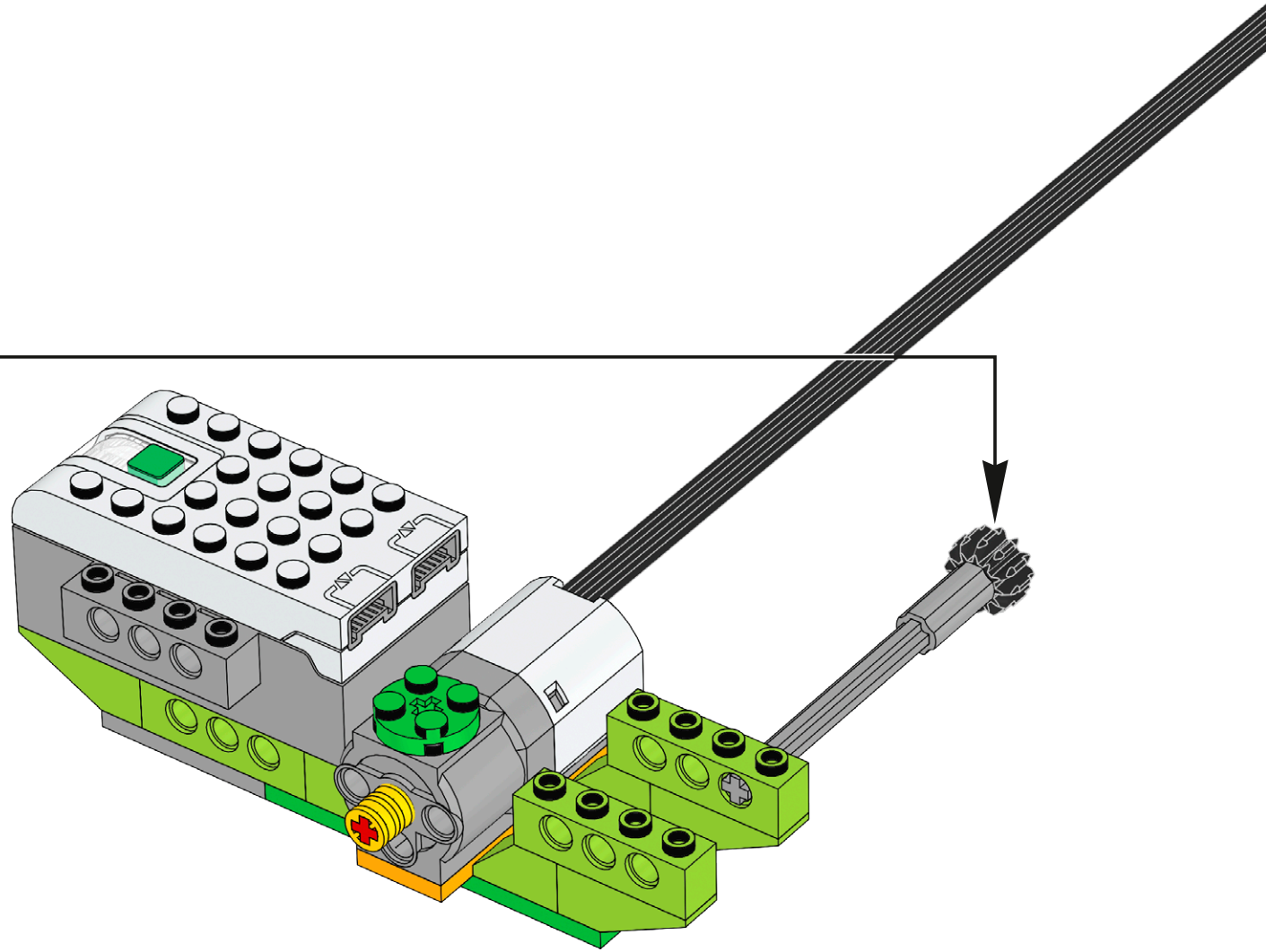


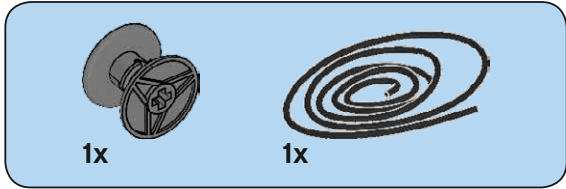


13

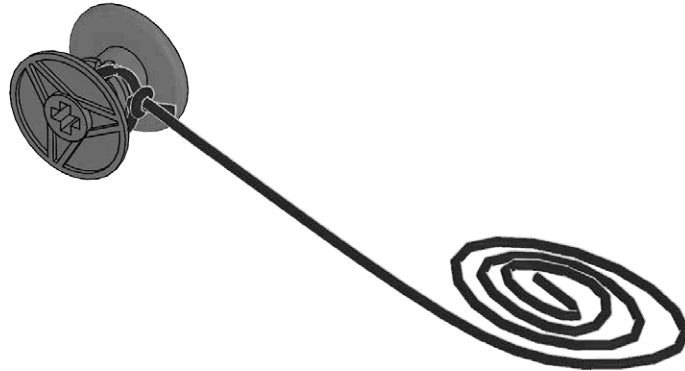


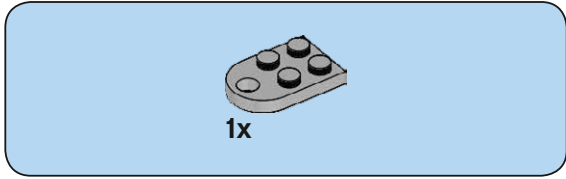
14





15

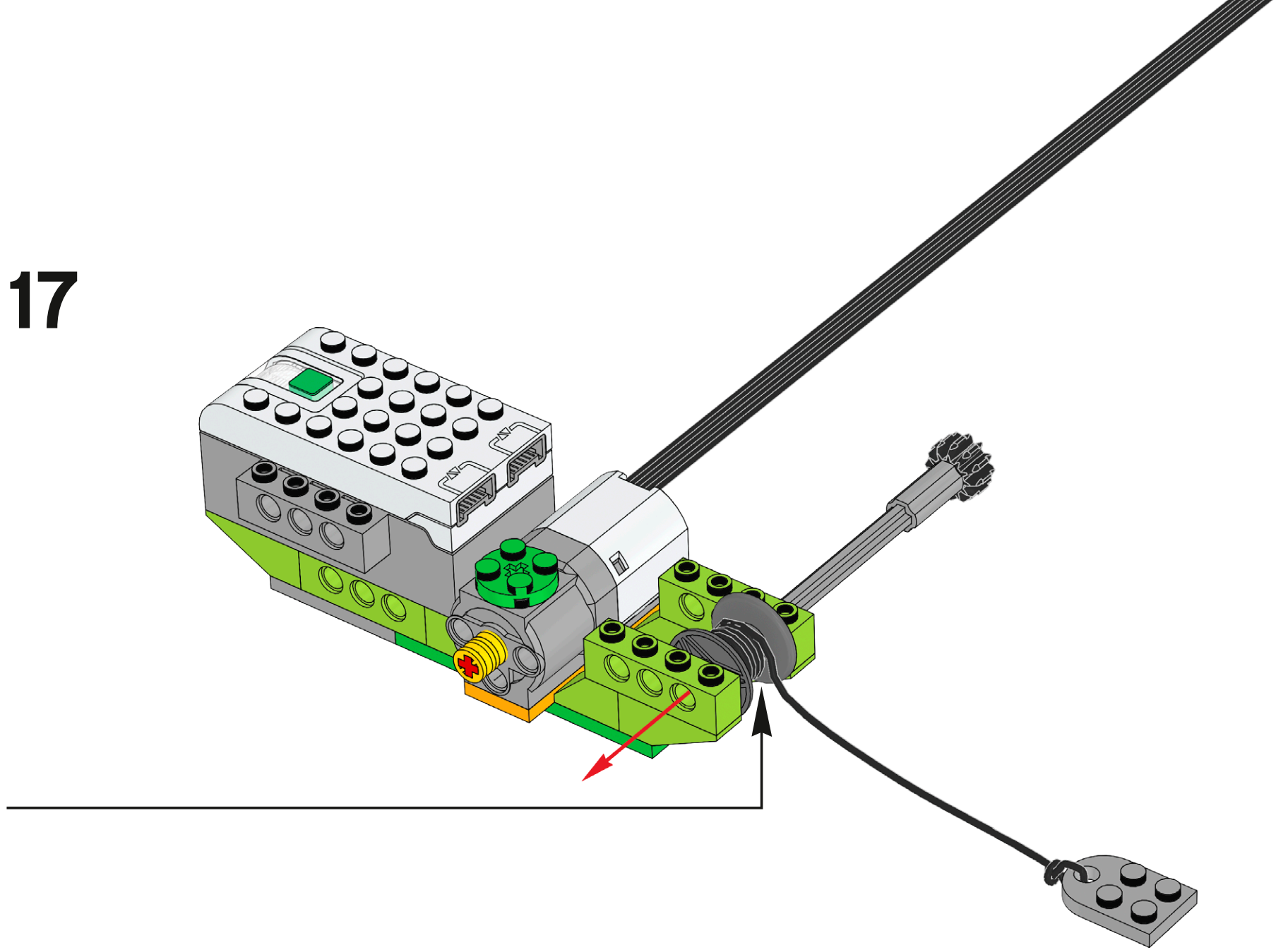


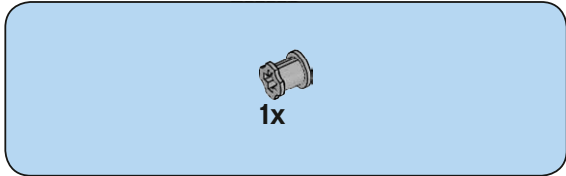


16

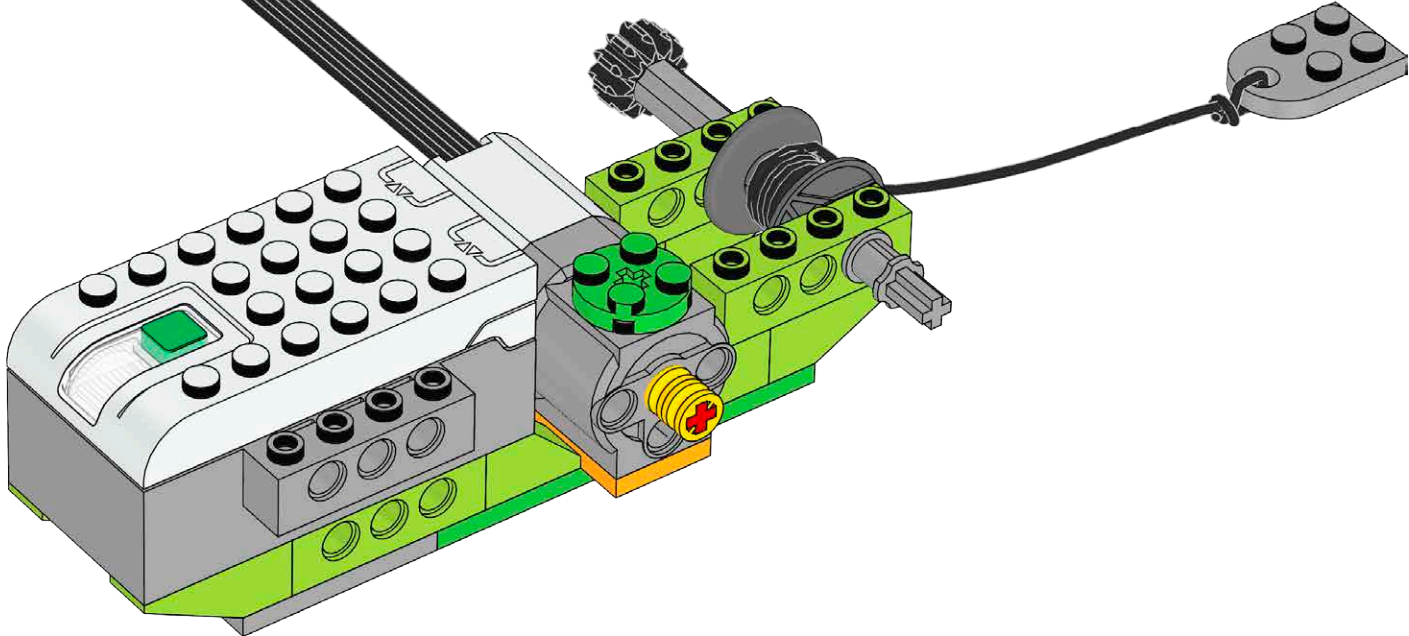


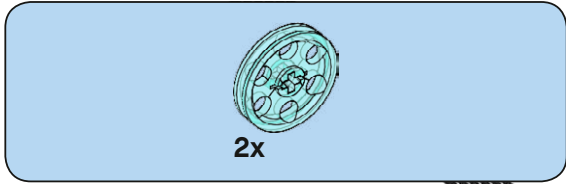
17



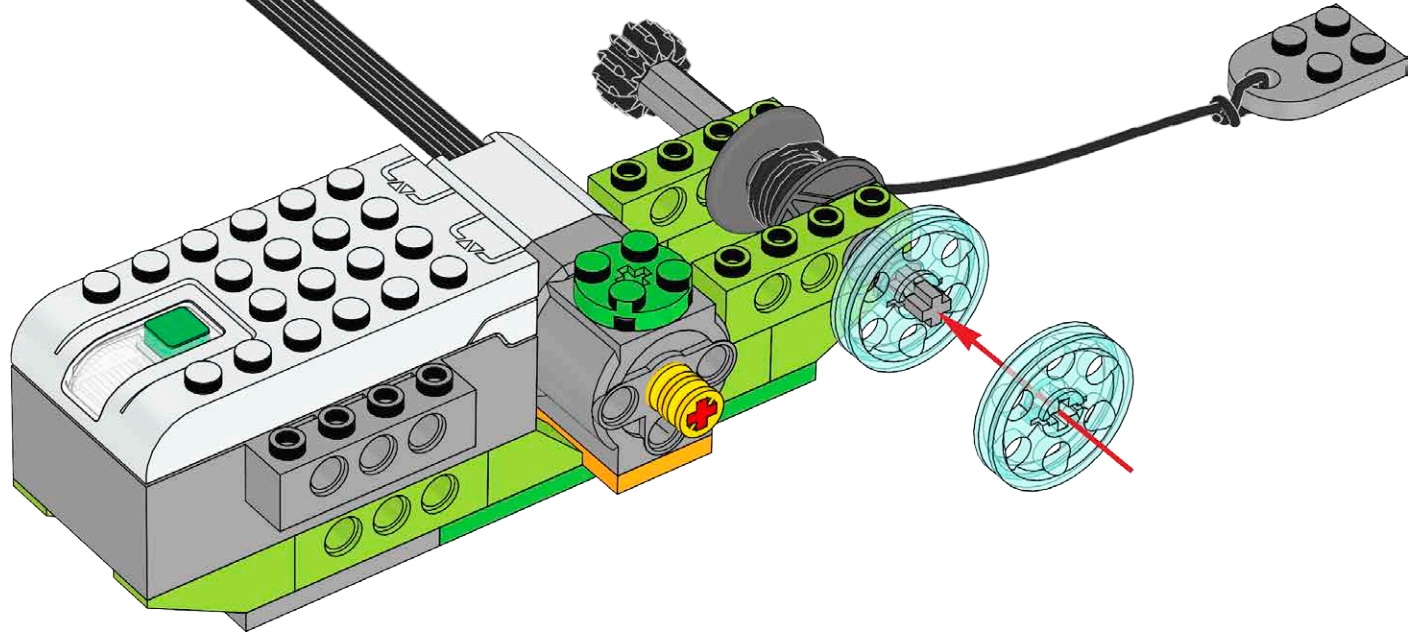


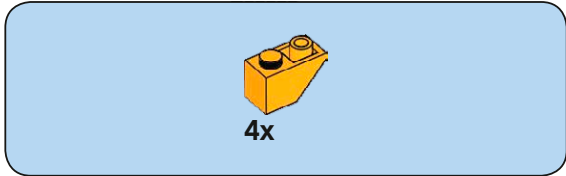
18



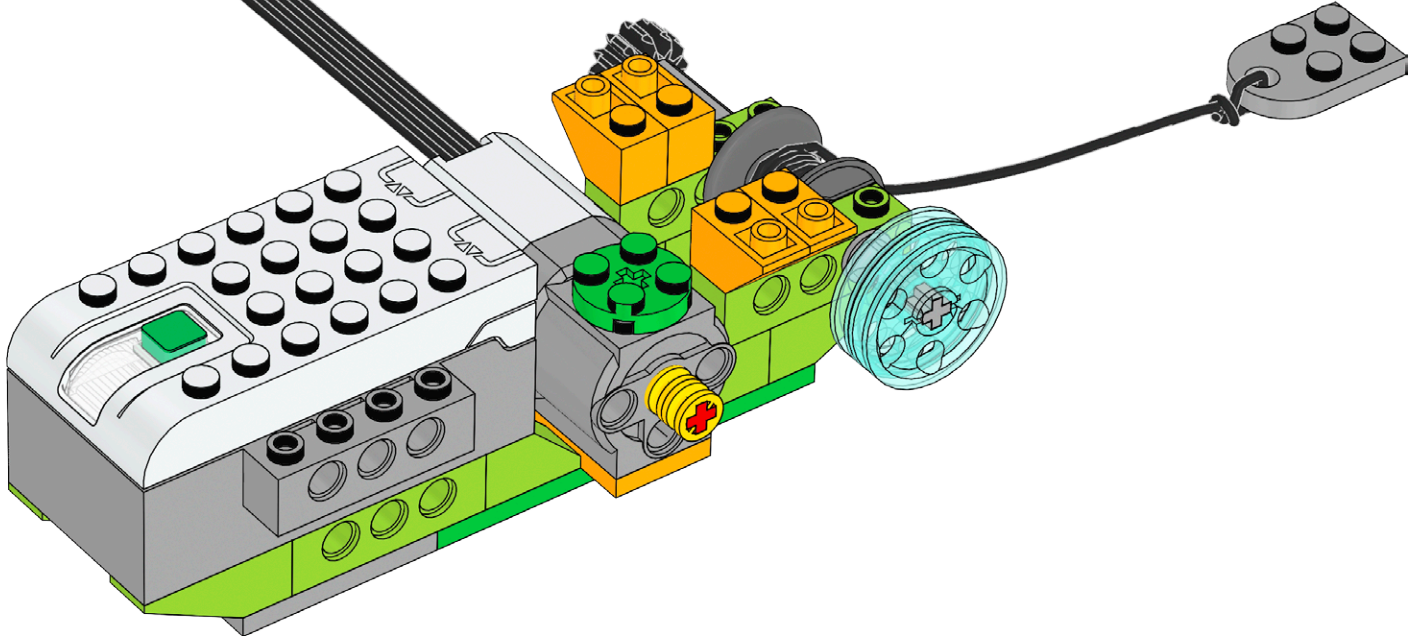


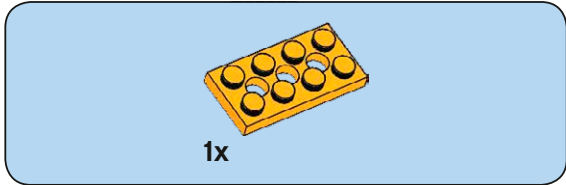
19



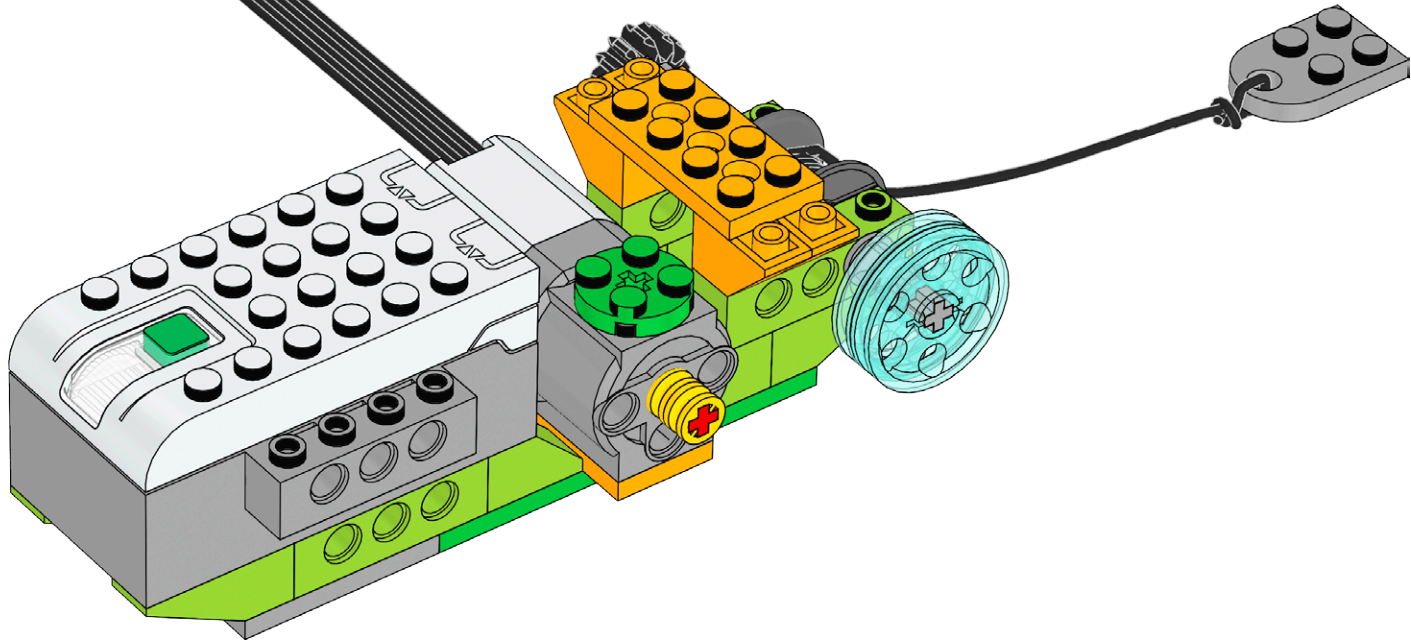


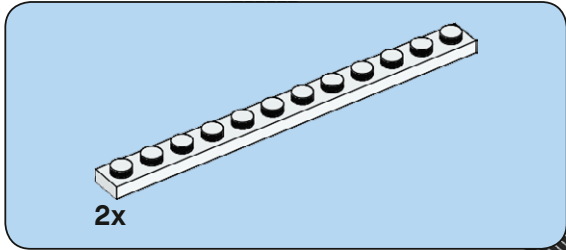
20



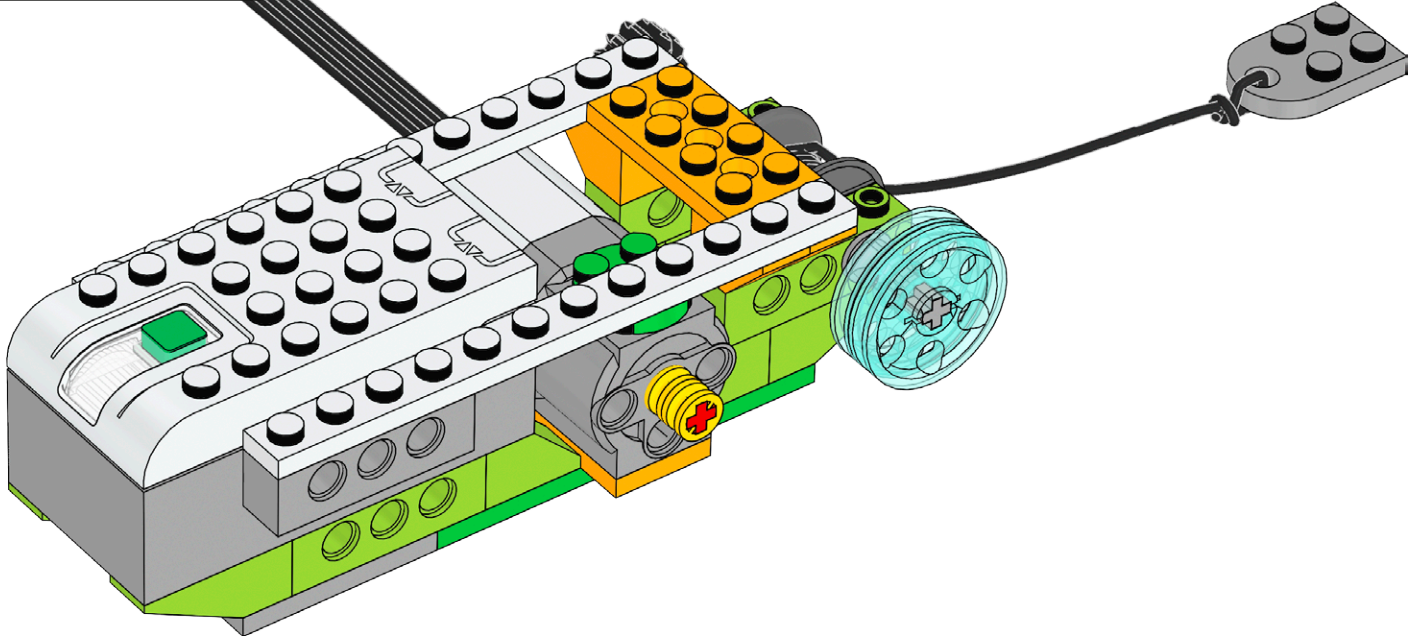


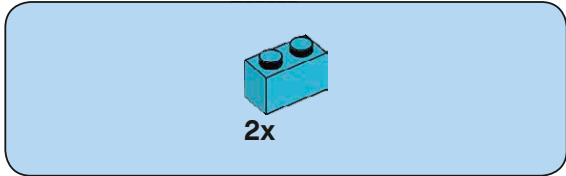
21



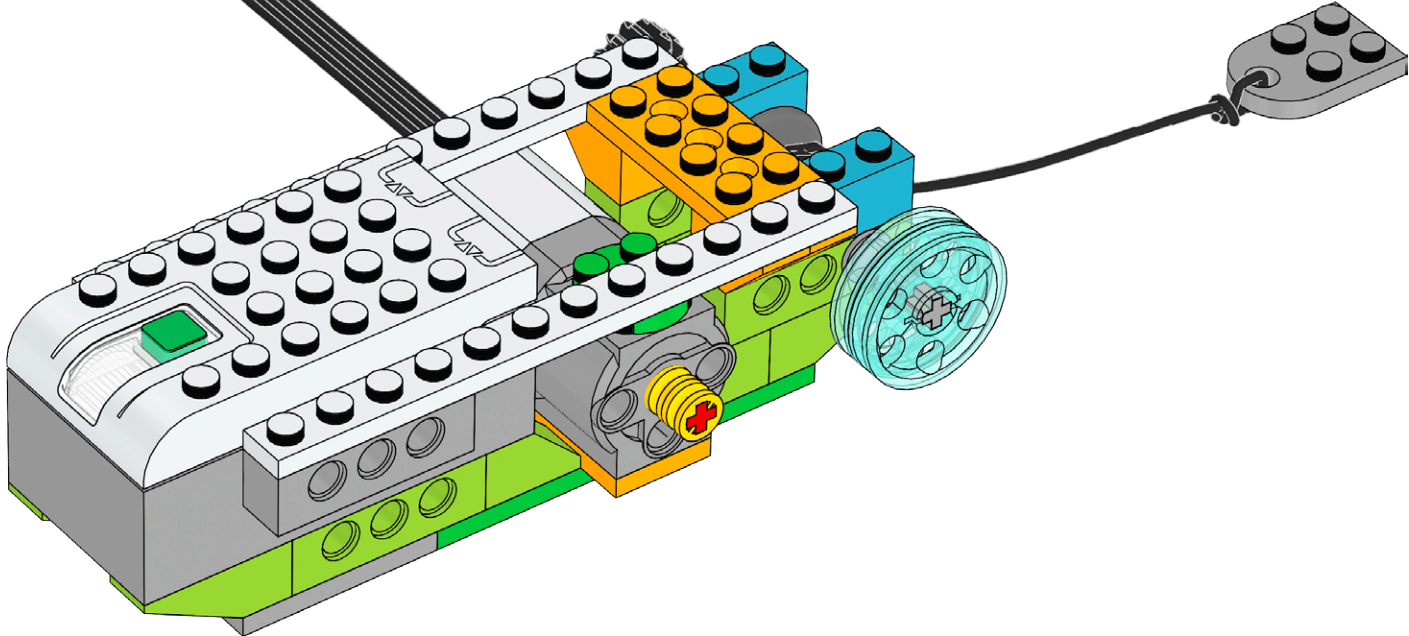


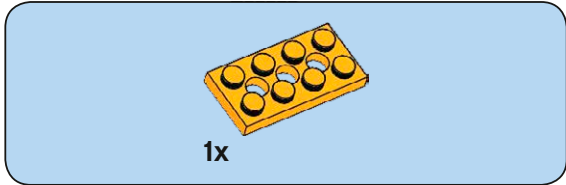
22



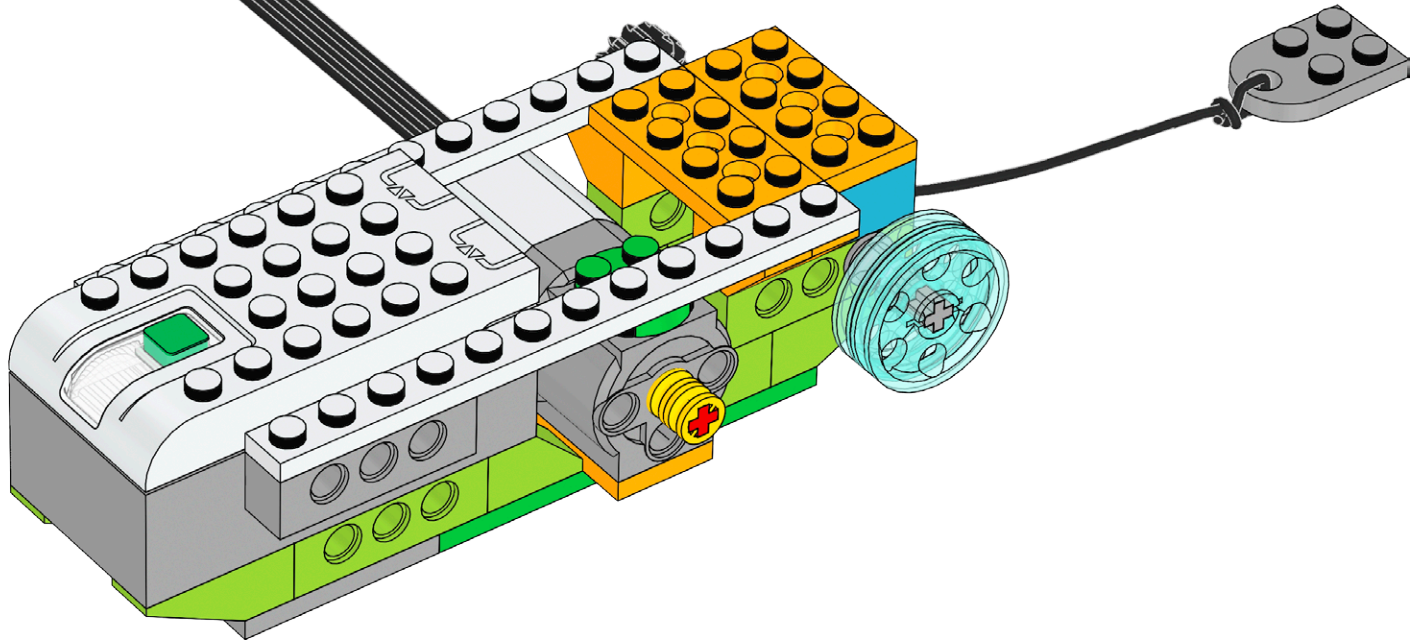


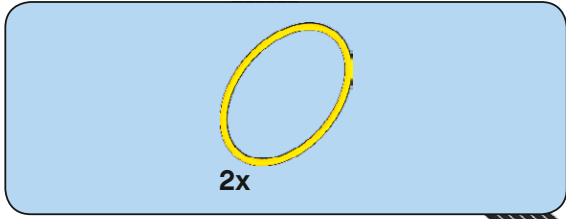
23



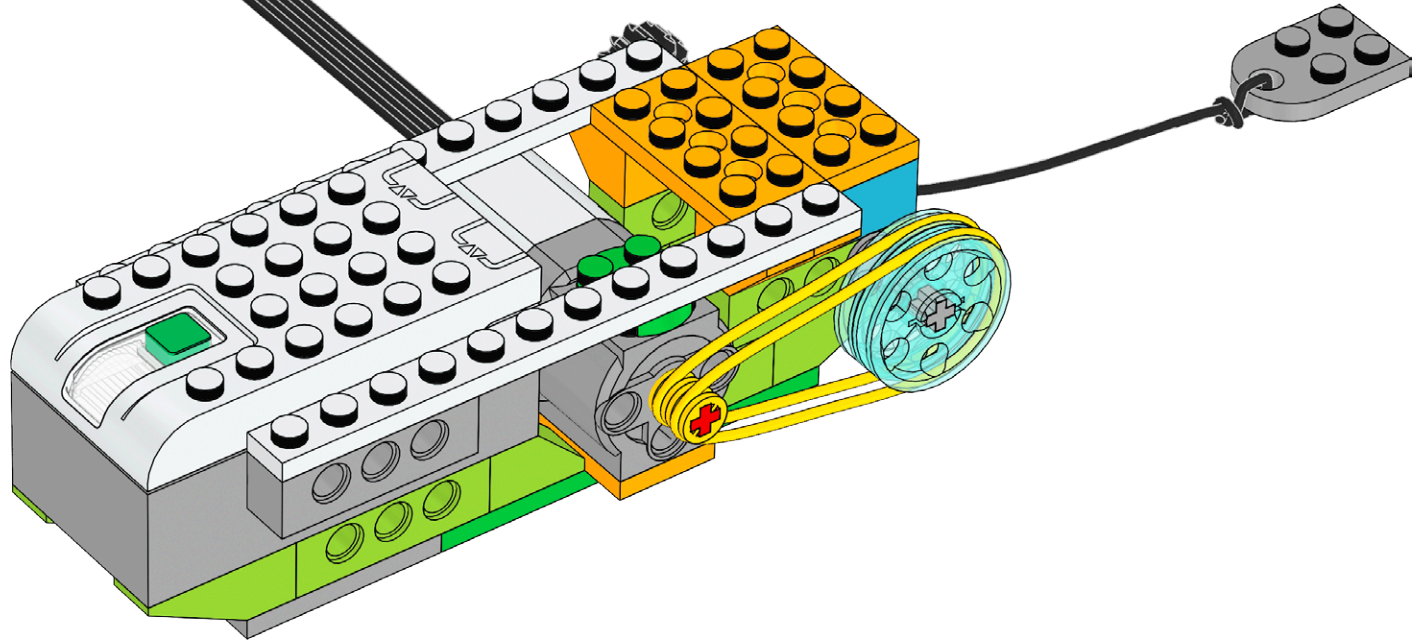


24





25



26

