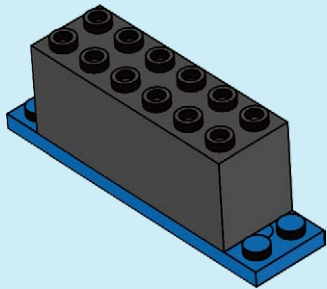
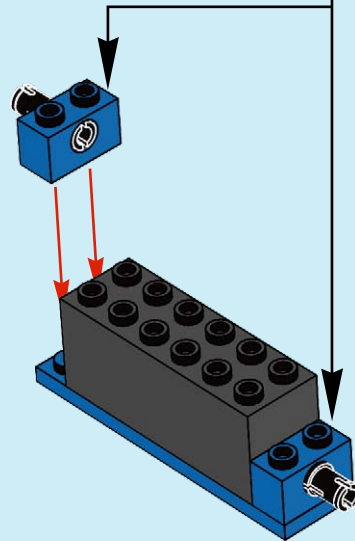
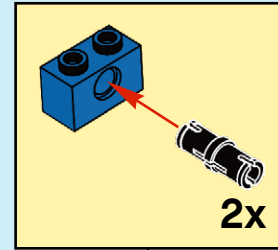
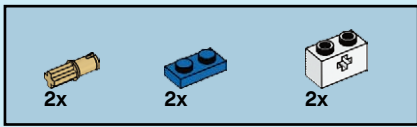


1

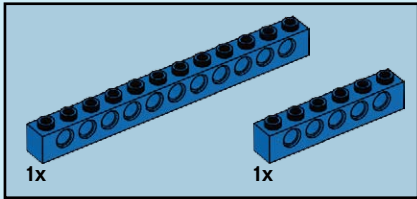
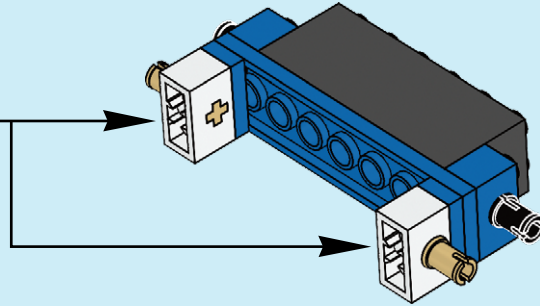
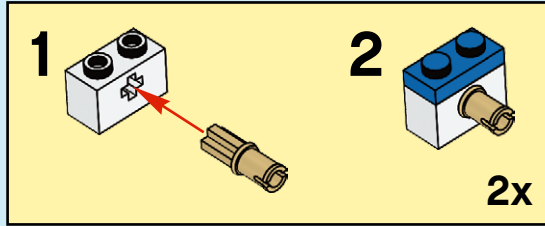
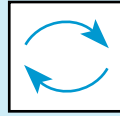


2

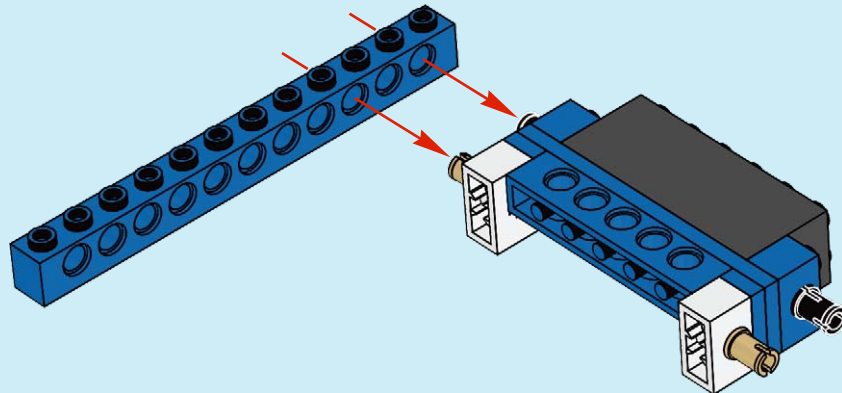


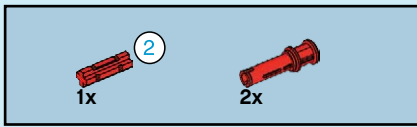


3

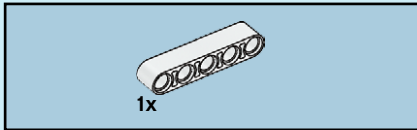
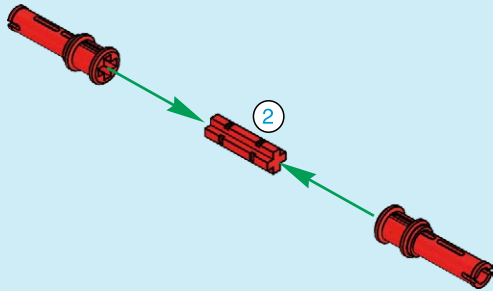


4

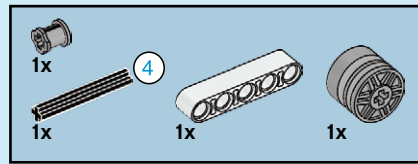
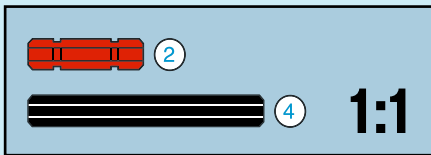
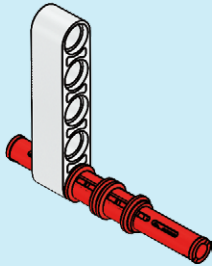




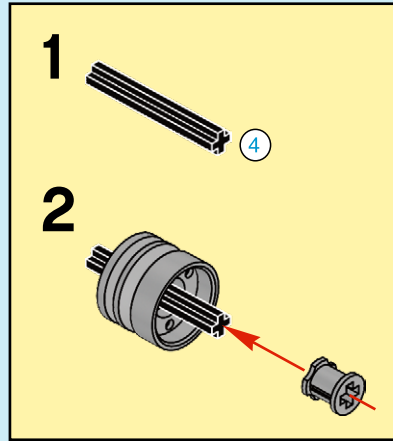
5



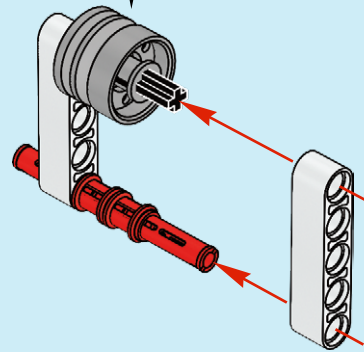
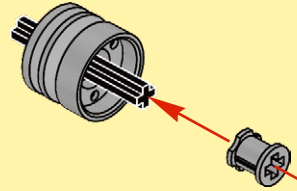
6

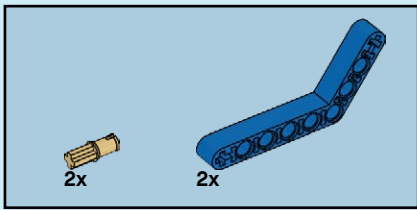


7

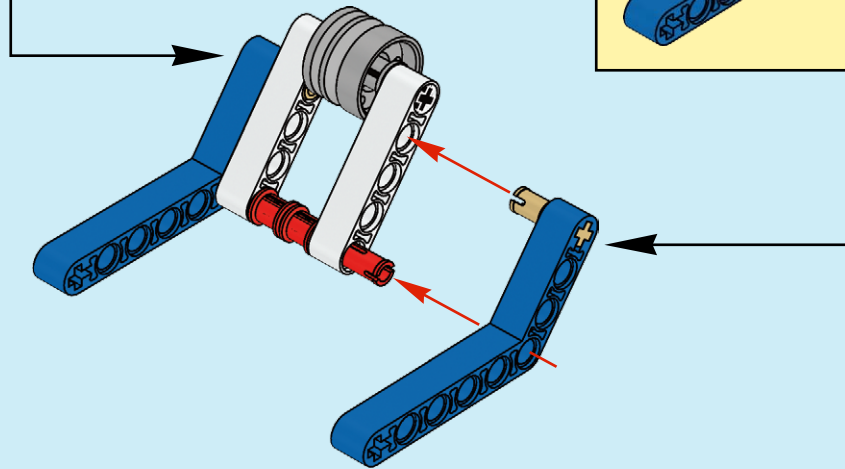
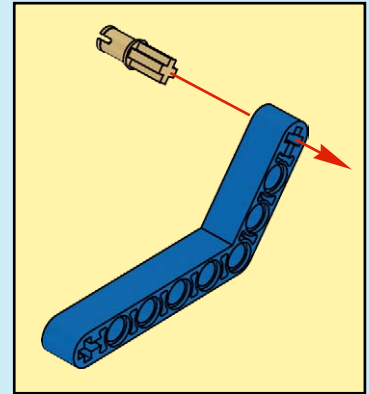
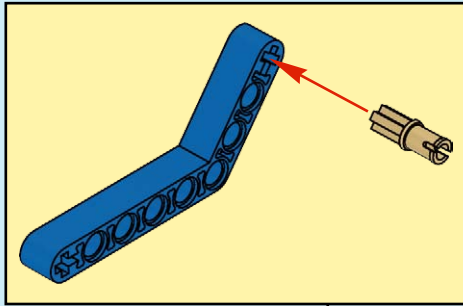


2



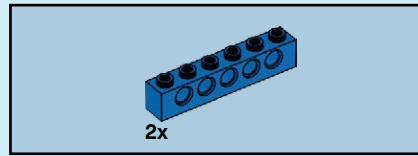
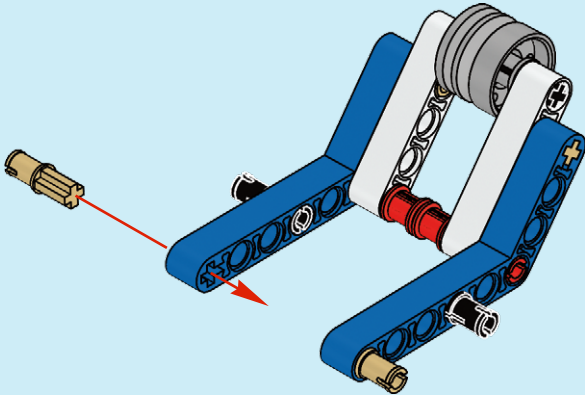


8

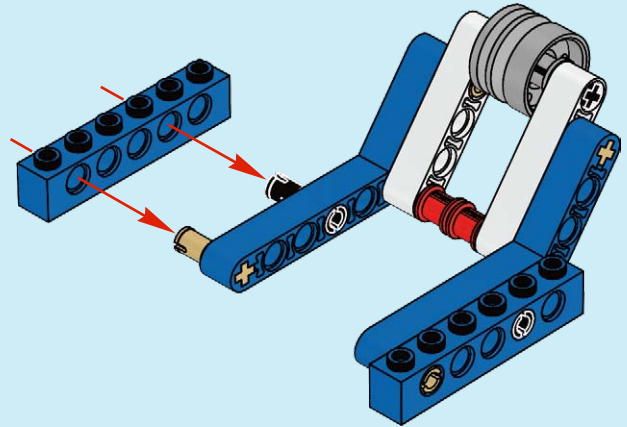




9



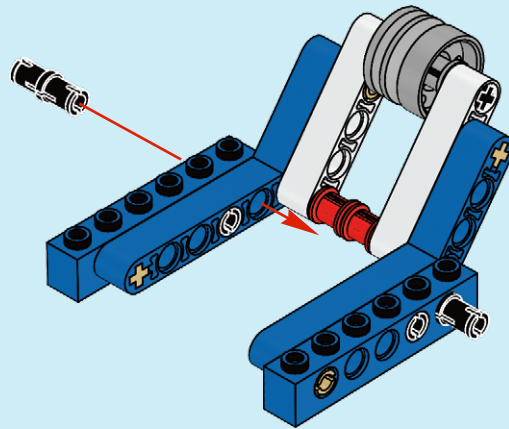
10

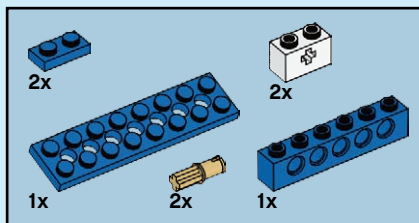




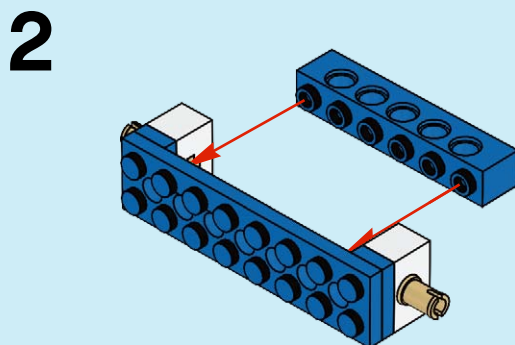
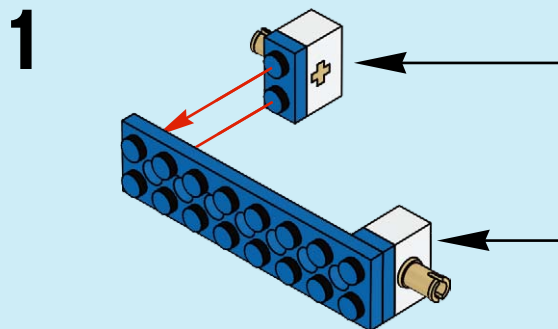
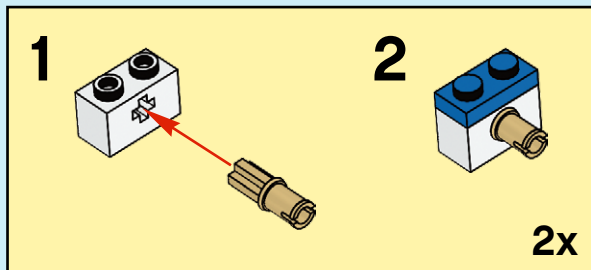
2x

# 11





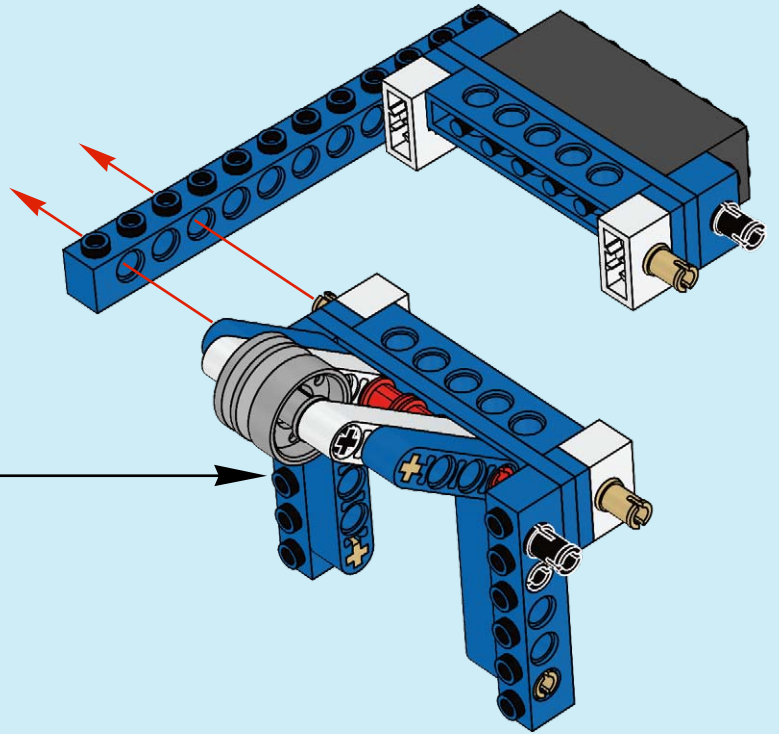
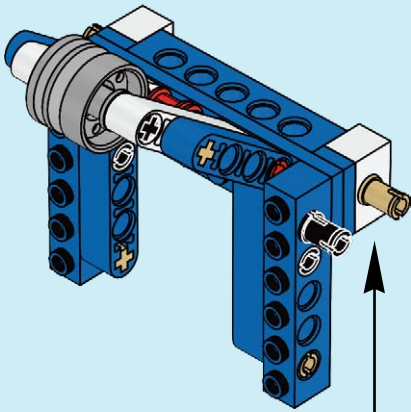
# 12

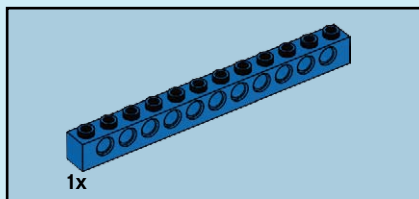




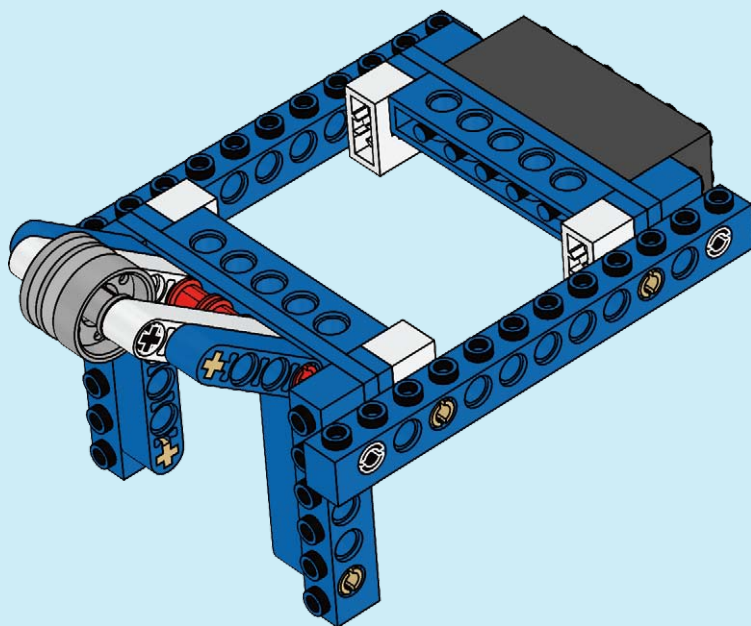


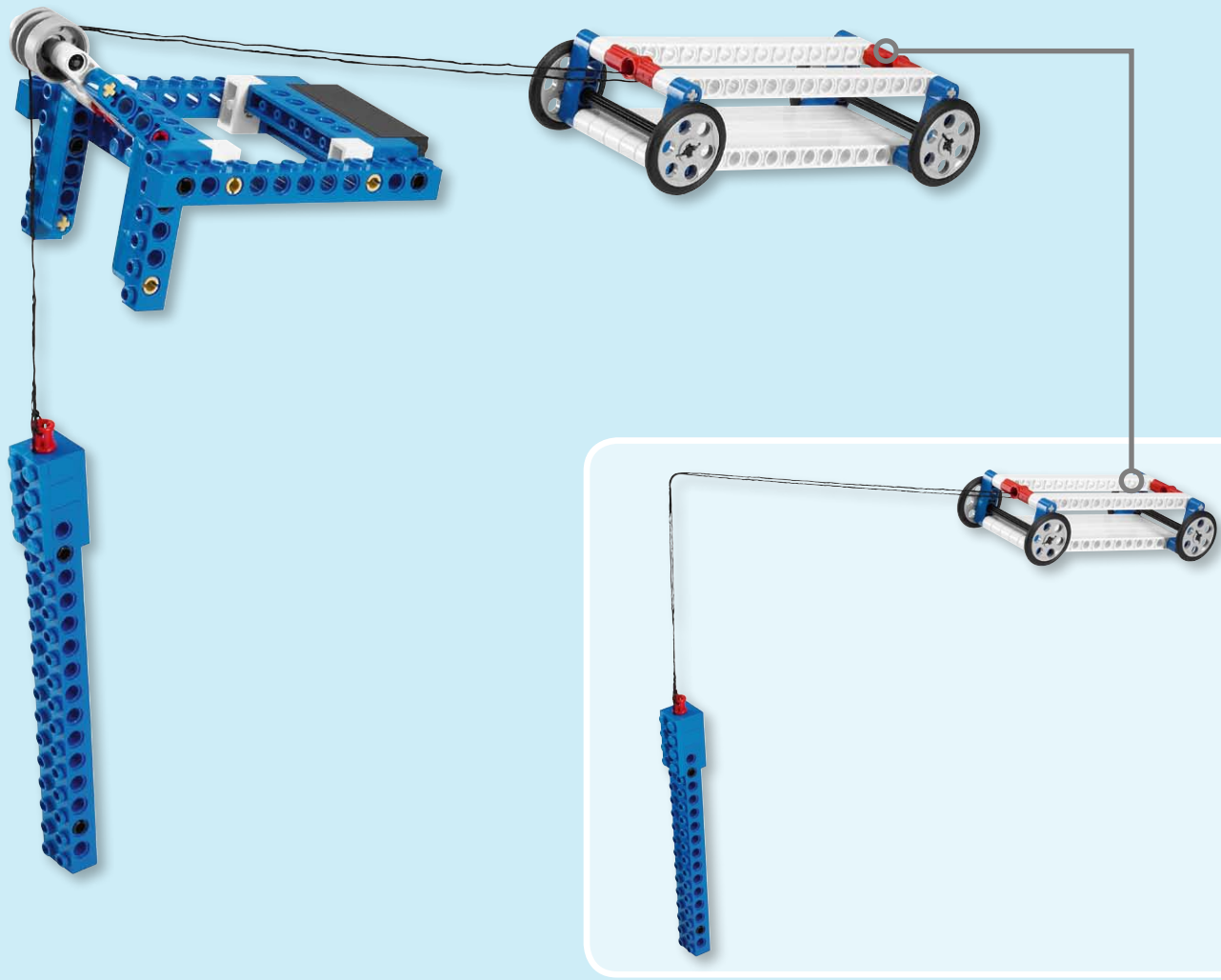
13

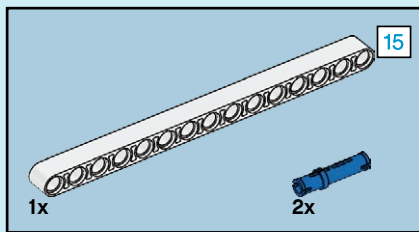




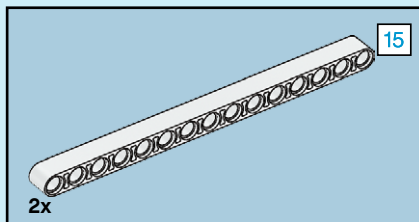
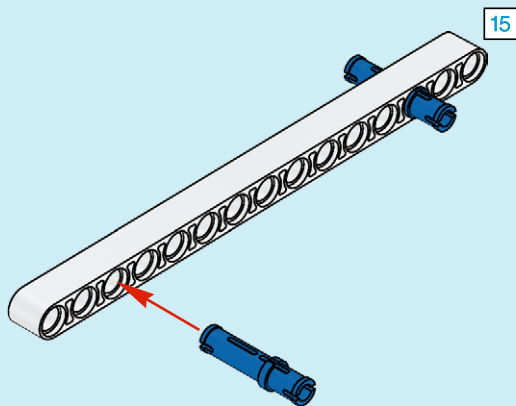
14



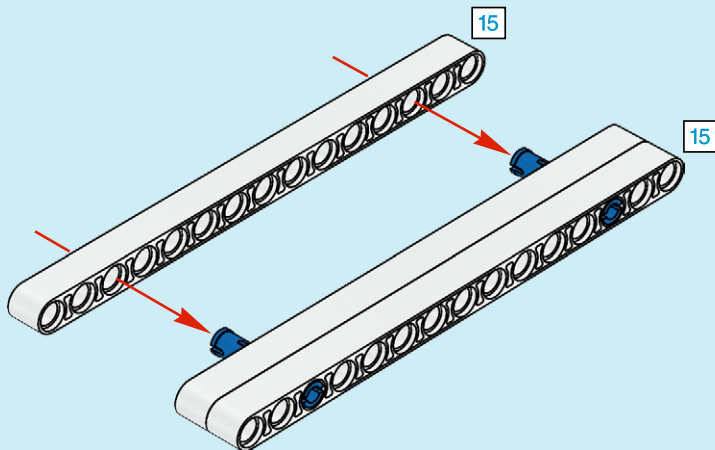


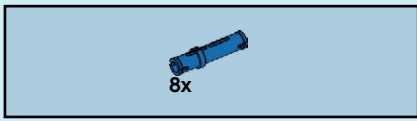


# 1

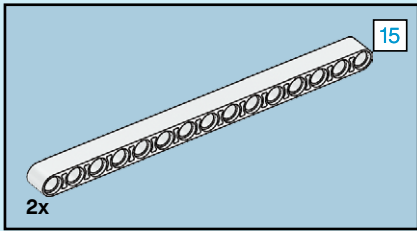
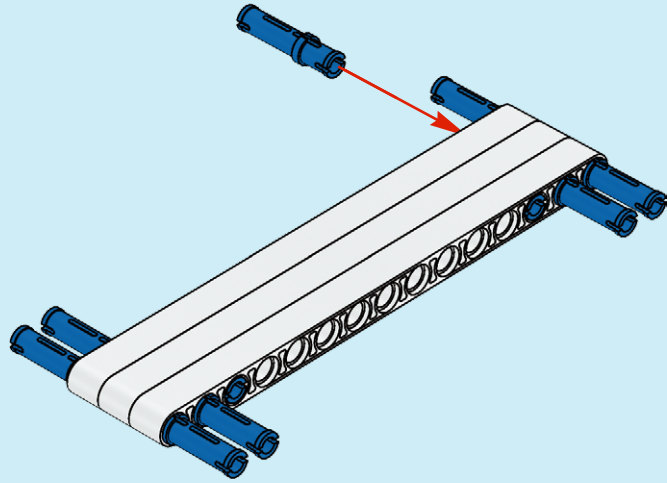


# 2

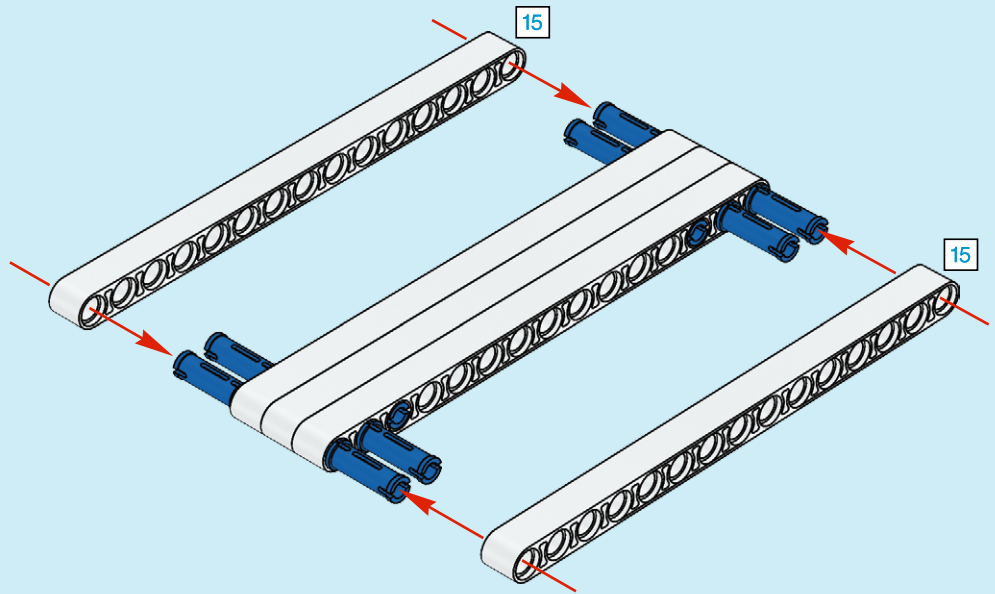


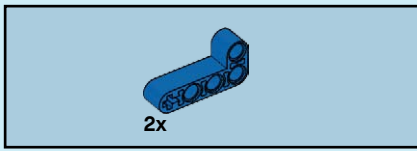


3

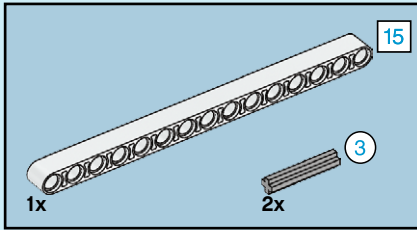
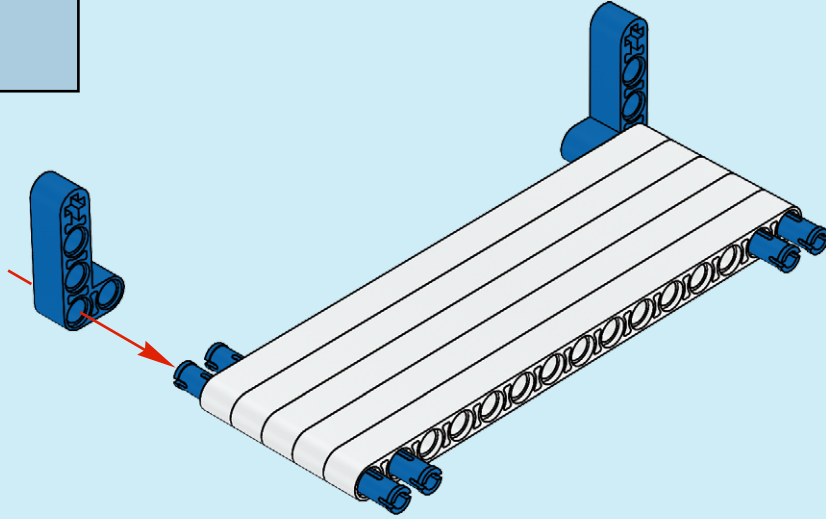


4

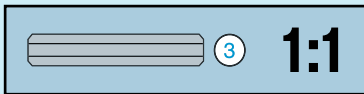
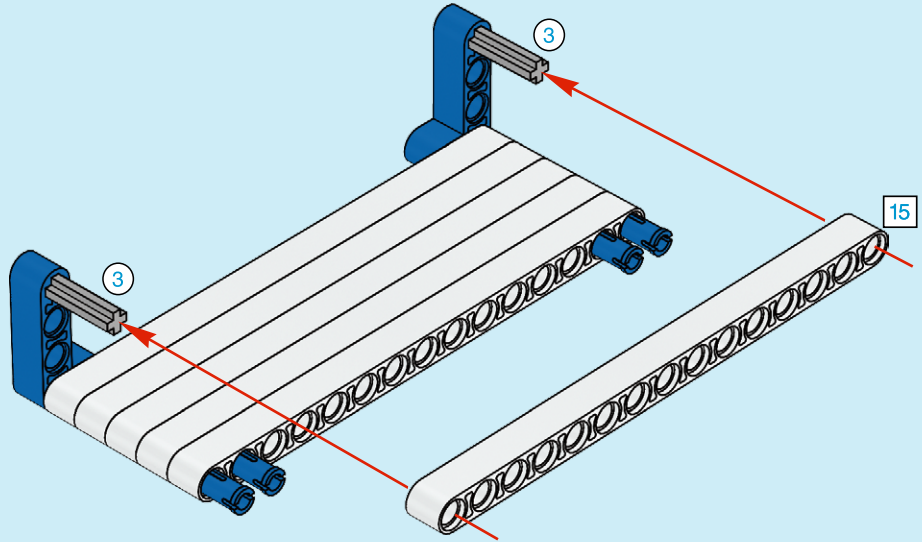


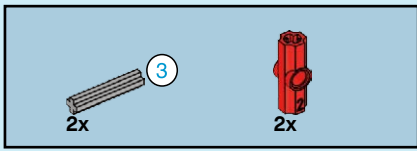


5

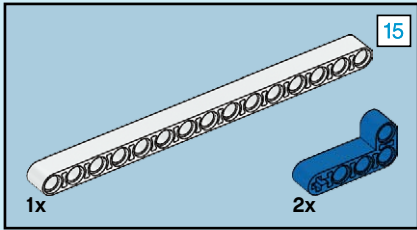
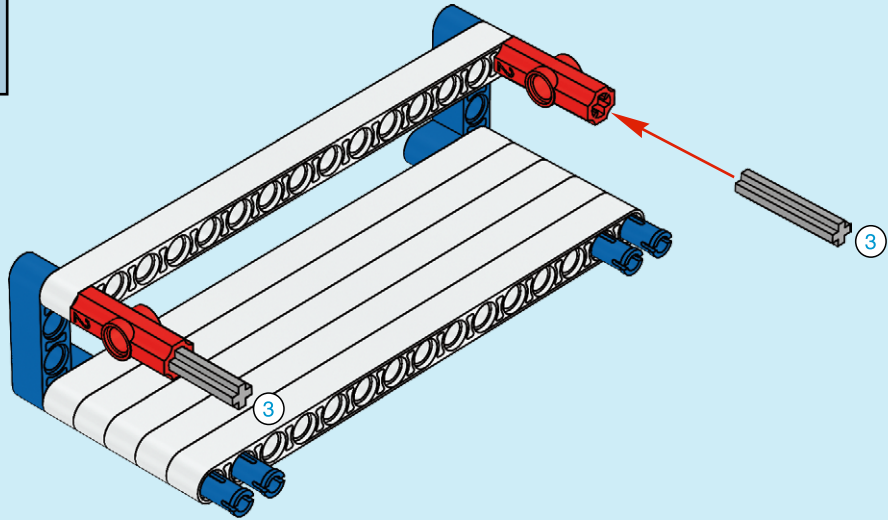


6

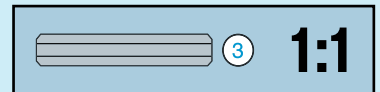
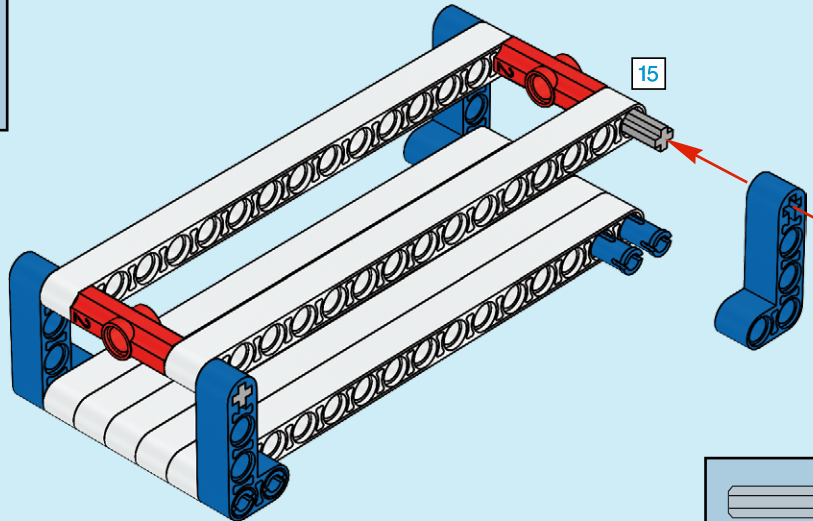


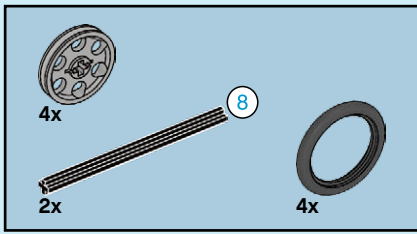


7

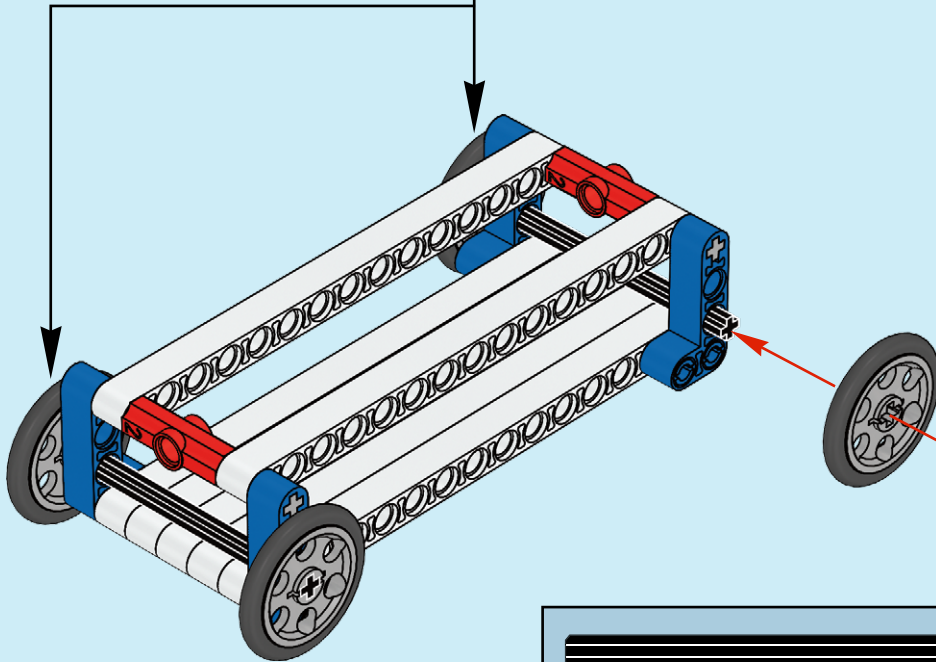
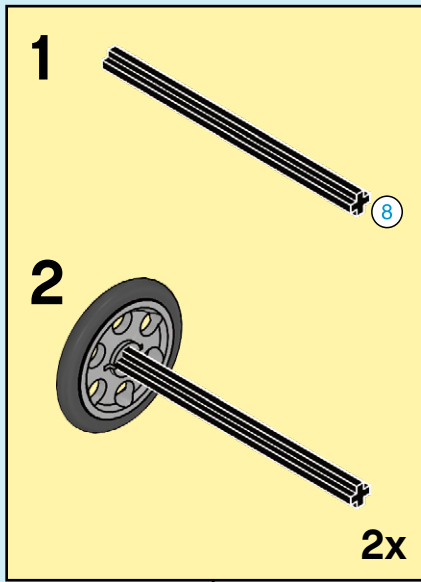


8

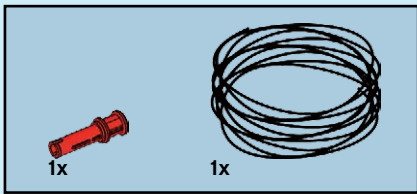




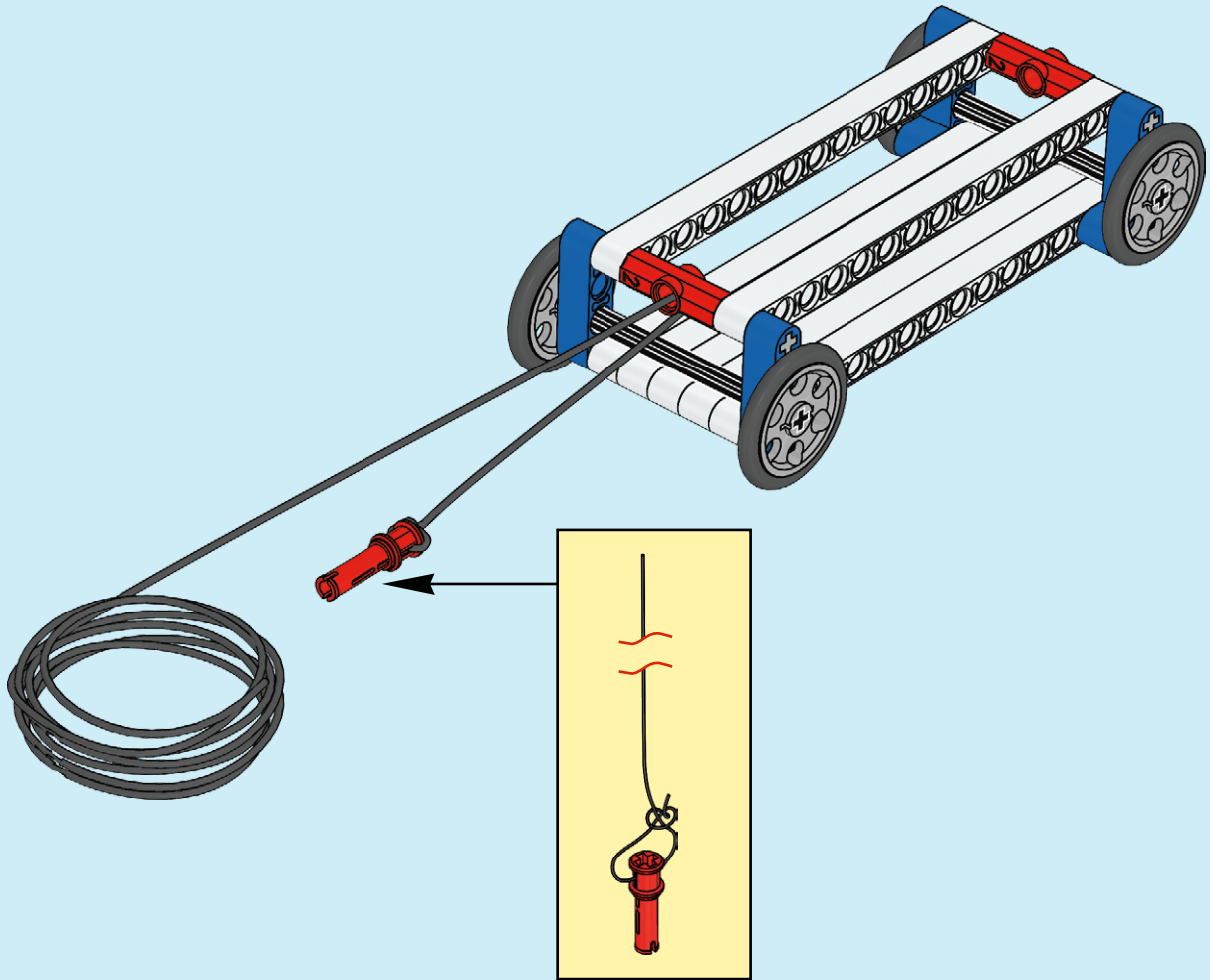
9

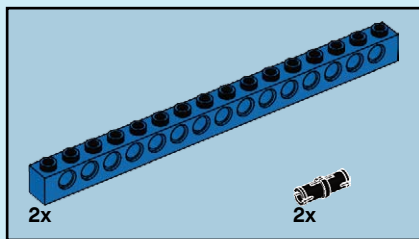




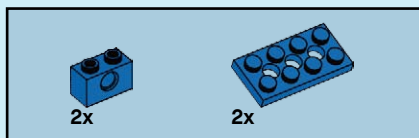
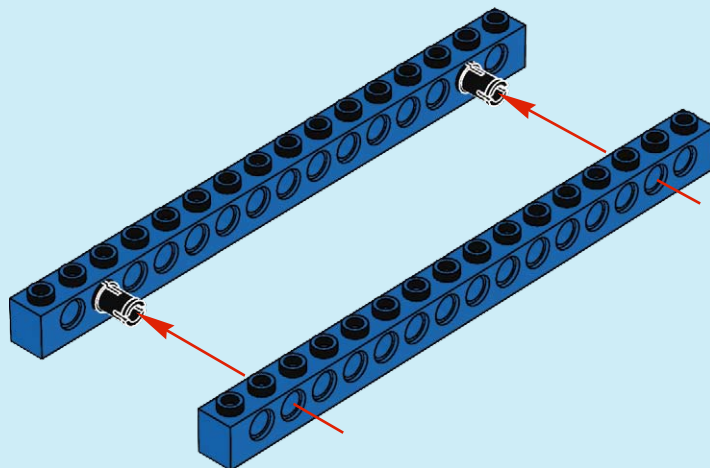


10

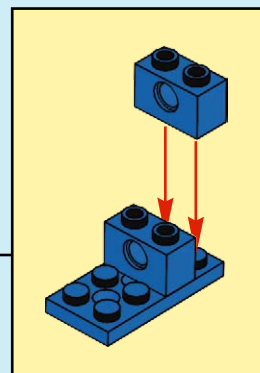
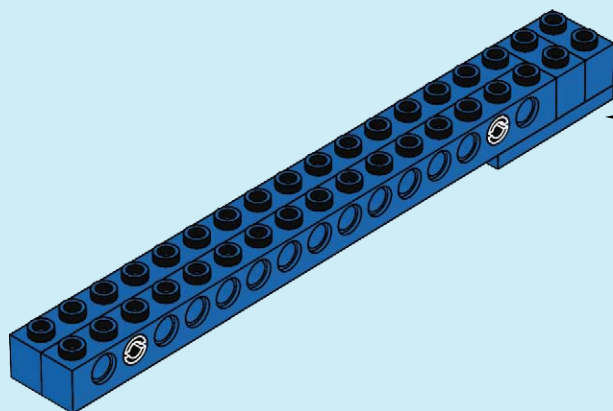




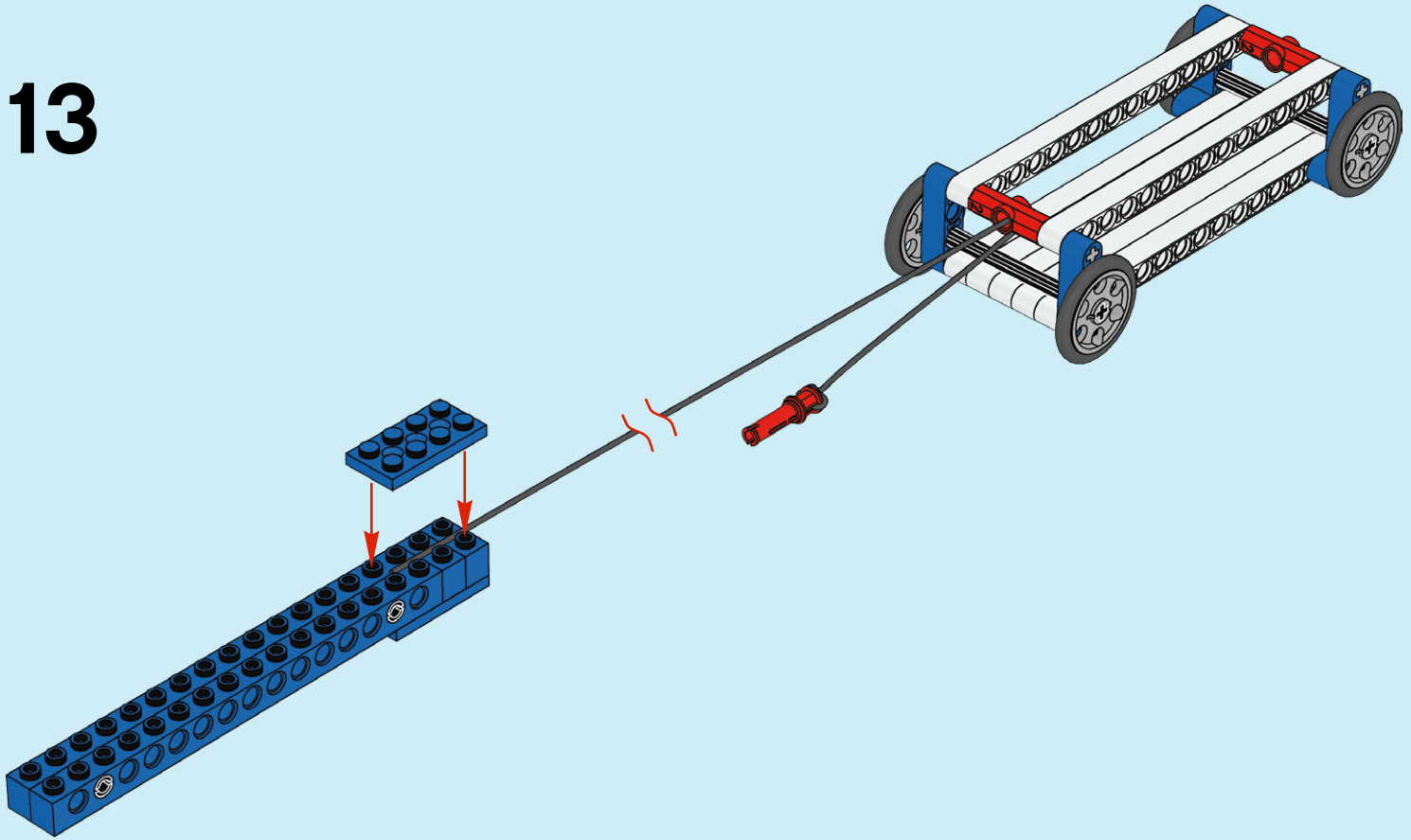
11



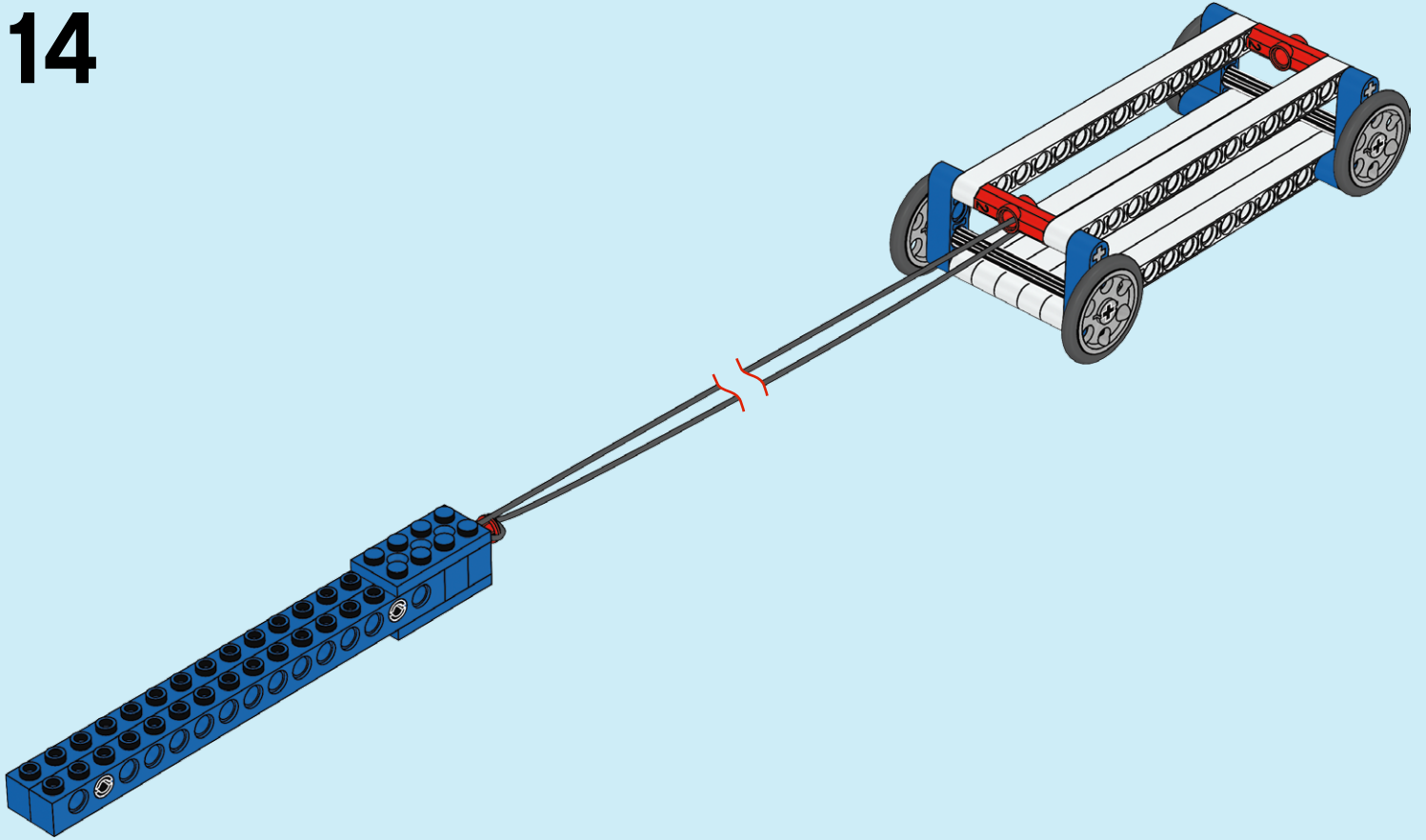
12



# 13



14



15

