

Safe Crossing

Keeping Animals and Humans Safe

Build an automated crossing that lets animals and humans safely pass.



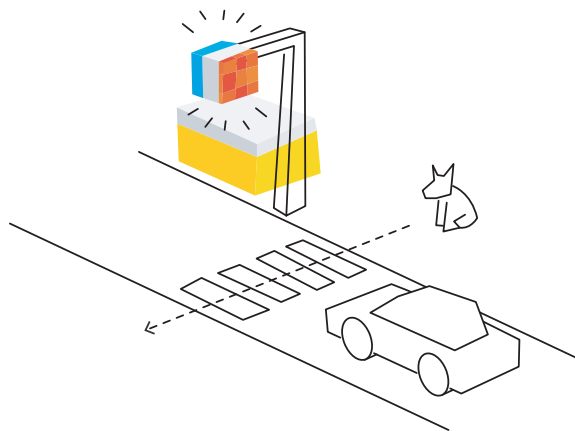
Think like a designer:

What can you create to help keep humans and/or animals safe when new roads are built?
How might sensors and signals help humans know to make way for animals?

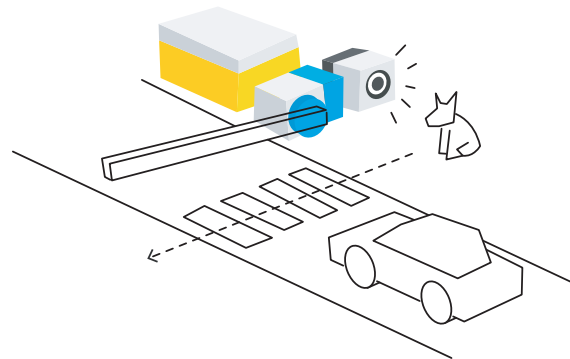


Example Ideas

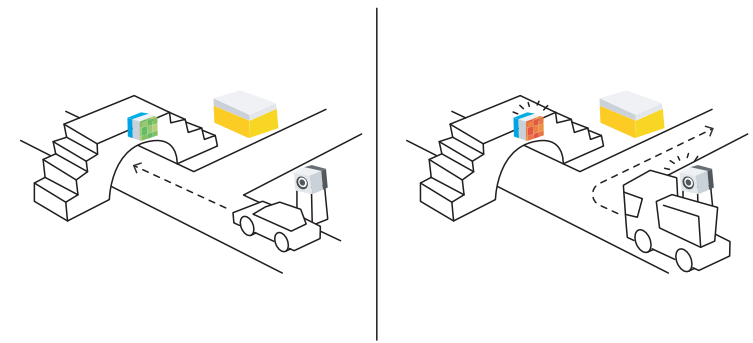
What automated features can help animals and humans to safely pass?



A traffic light to remind drivers to slow down and look for animals.



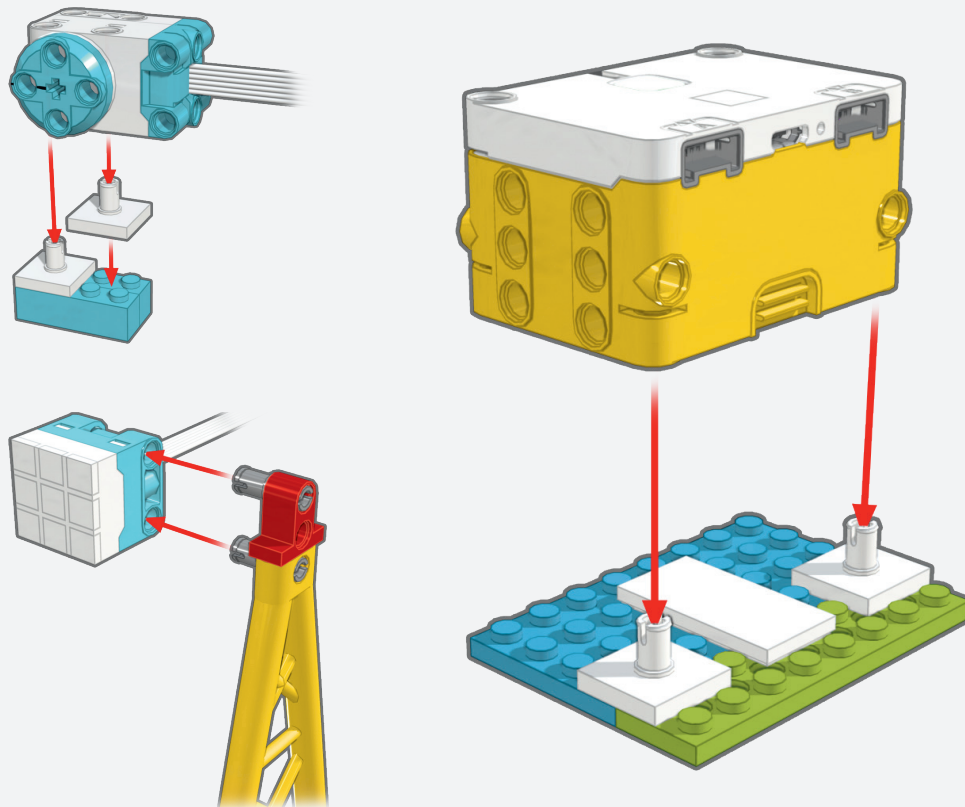
An easy-to-see roadblock for cars when animals are on the road.



A separate path for large trucks that doesn't disturb the animal habitat.

Build it!

How will you place your device in the environment?



Code it!

Sample program for the roadblock:

```
when program starts
if A is color ? then
  A run for 90 degrees
wait 10 seconds
  A run for 90 degrees
```

Describe it!

How does your program work, from top to bottom?

Modify it!

How can you update the sequence to repeat an action?

Talk about it!

Why is it important for animals and/or humans to have structures that help them navigate roads safely? How does your device let animals and humans safely pass?