

45300

LEGO and the LEGO logo are trademarks of the/son des marques de commerce
du/son marcas registradas de LEGO Group. ©2015 The LEGO Group. 088360.



education

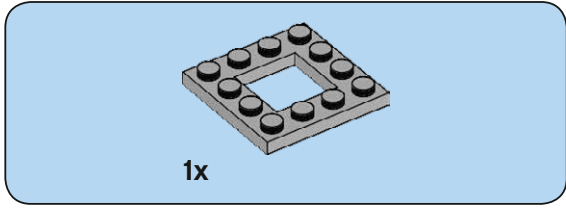


45300

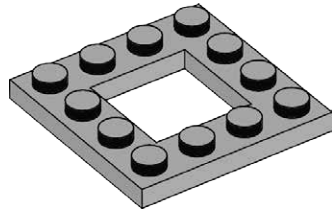
LEGO and the LEGO logo are trademarks of the/son des marques de commerce
du/son marcas registradas de LEGO Group. ©2015 The LEGO Group. 088360.

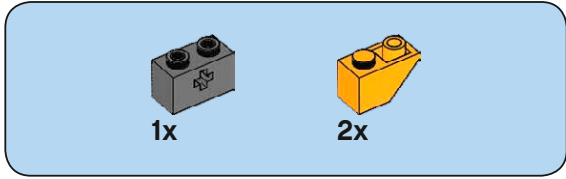


education

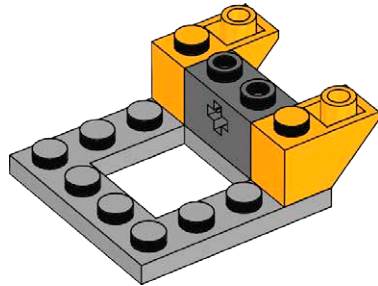


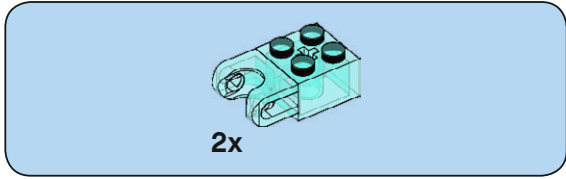
1



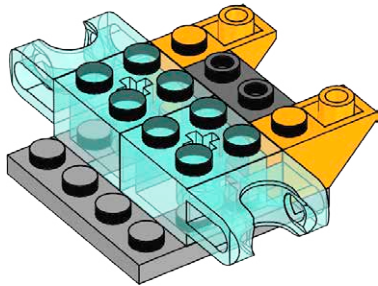


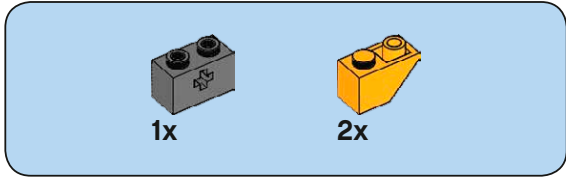
2



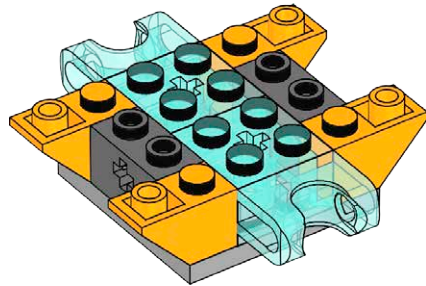


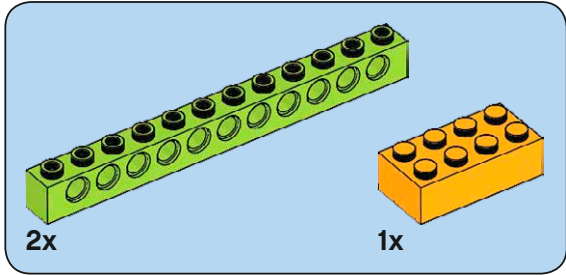
3



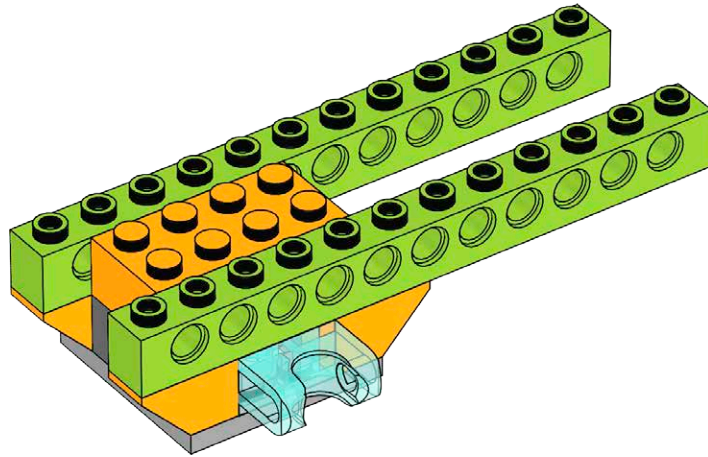


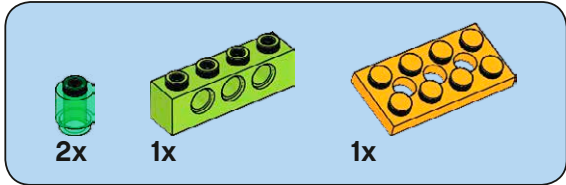
4



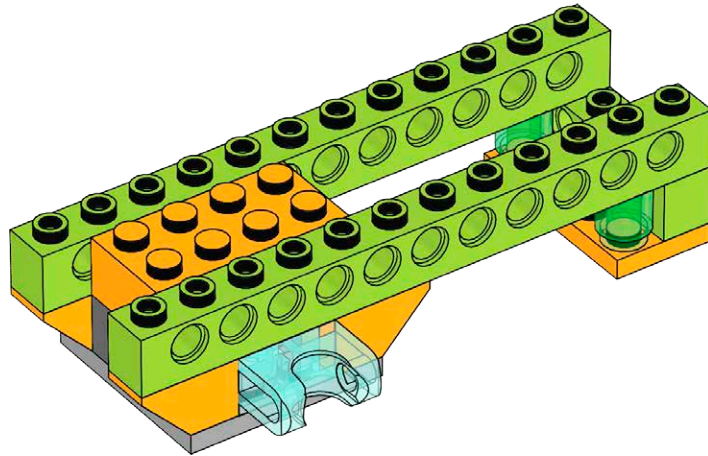
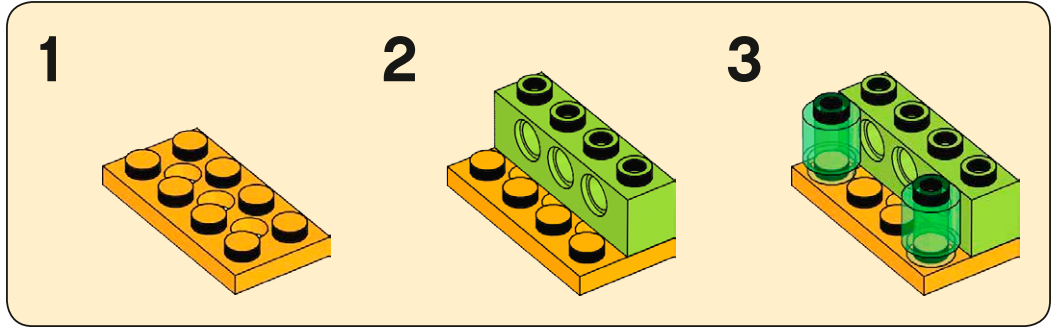


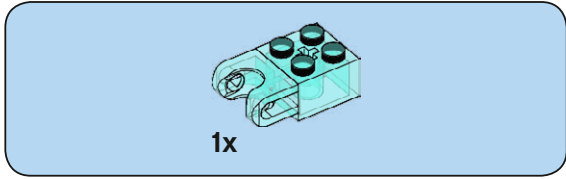
5



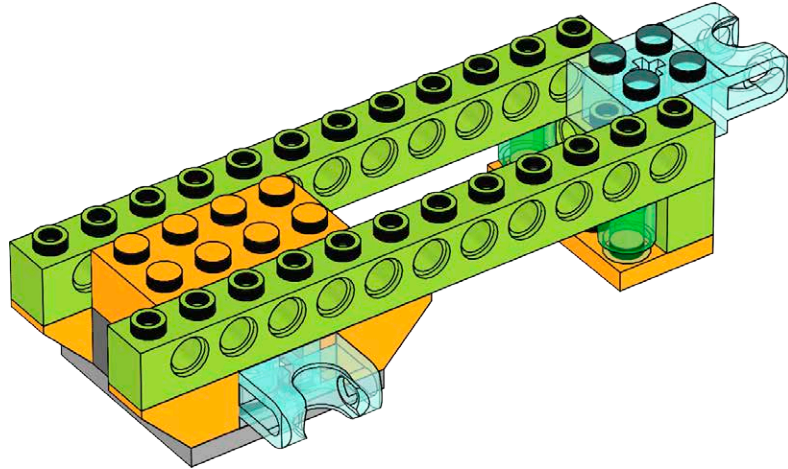


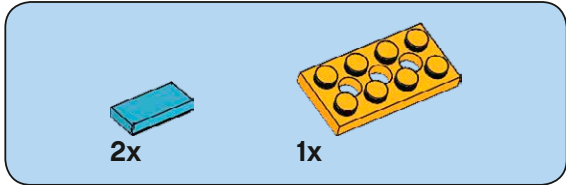
6



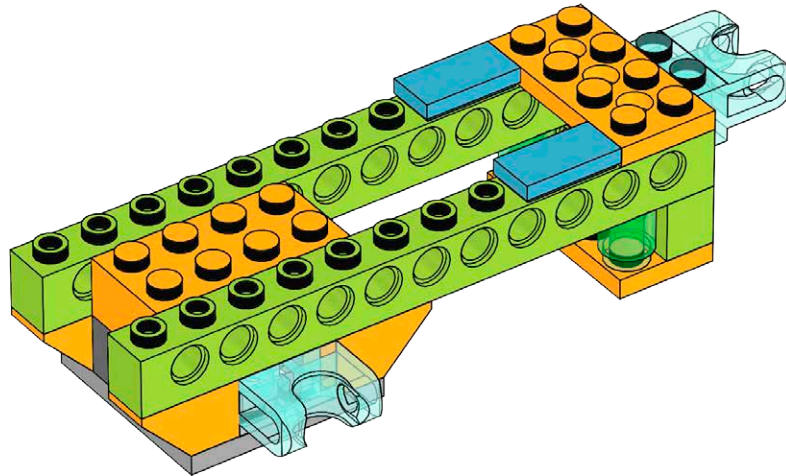


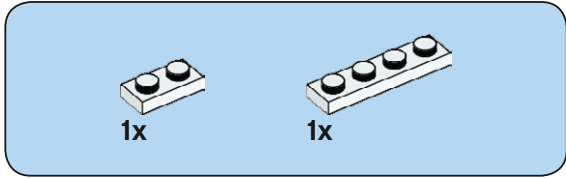
7



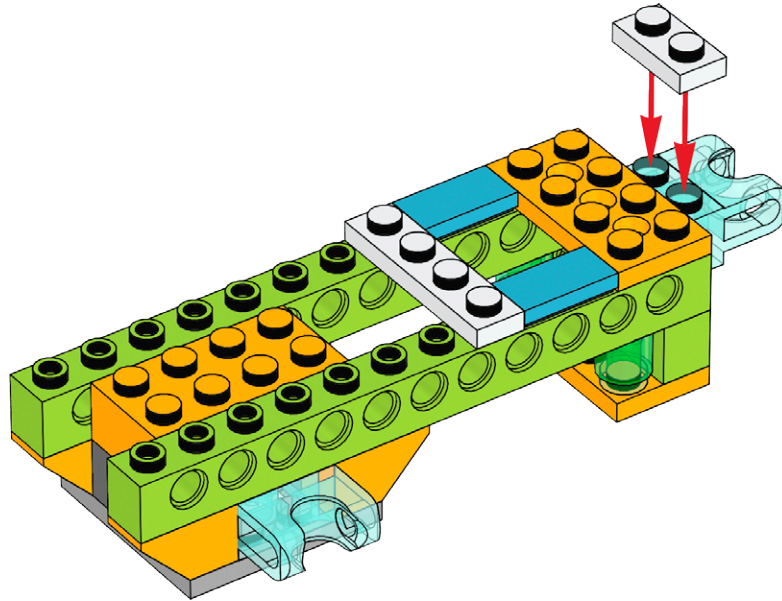


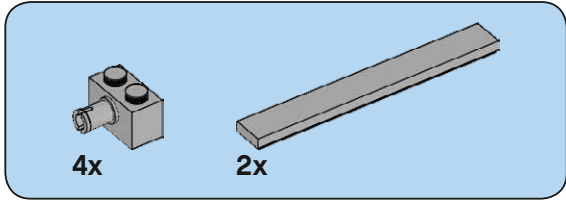
8



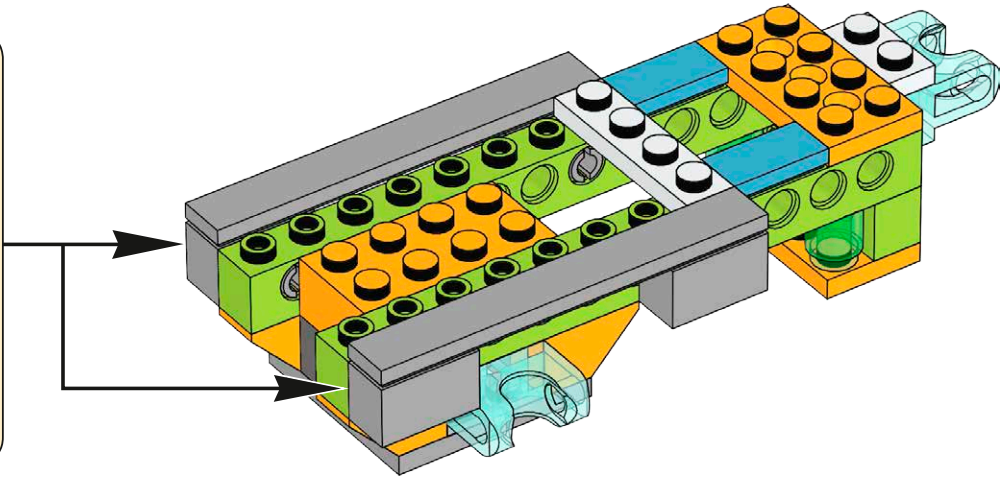
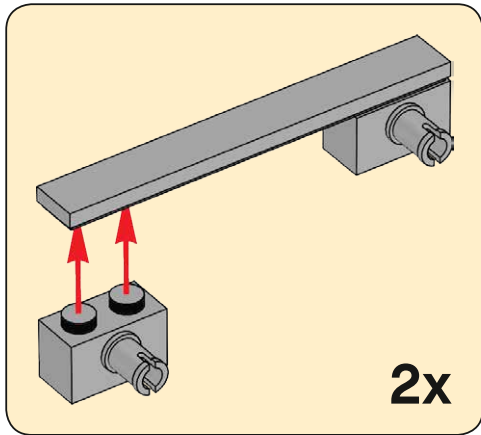


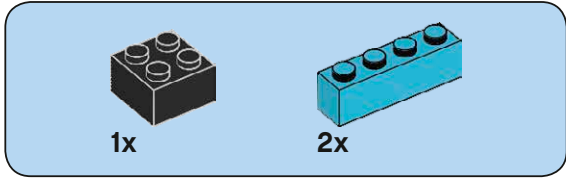
9



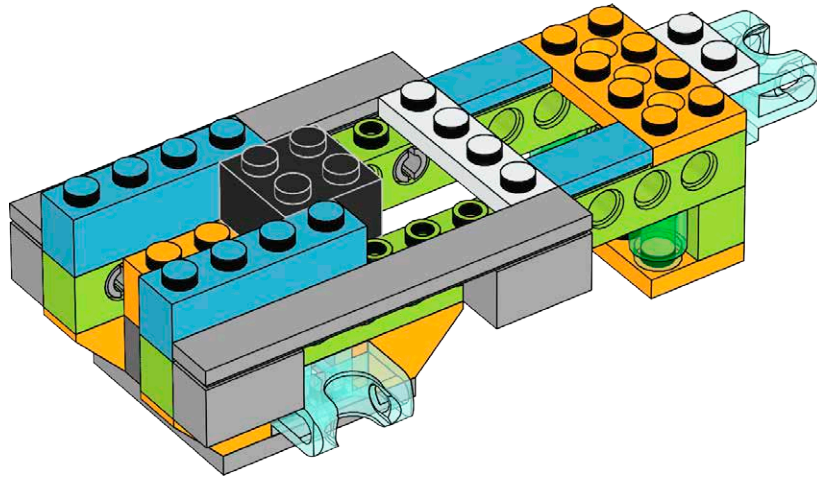


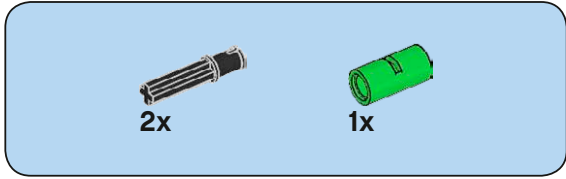
10



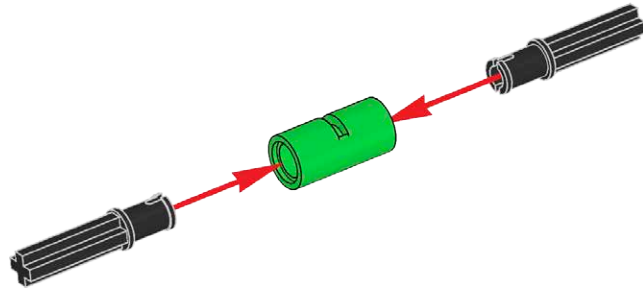


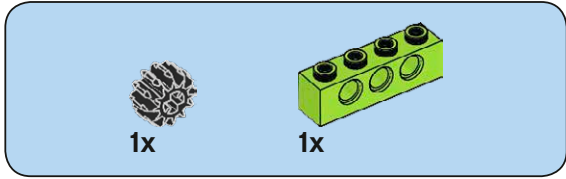
11



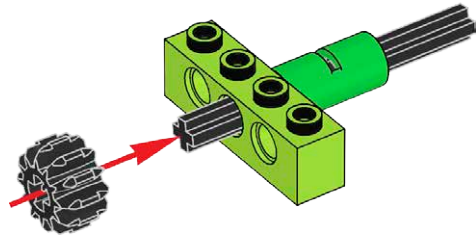


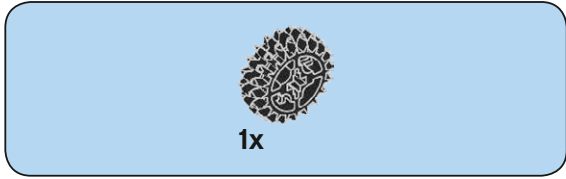
12



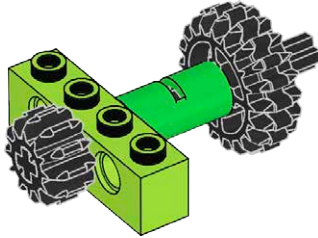


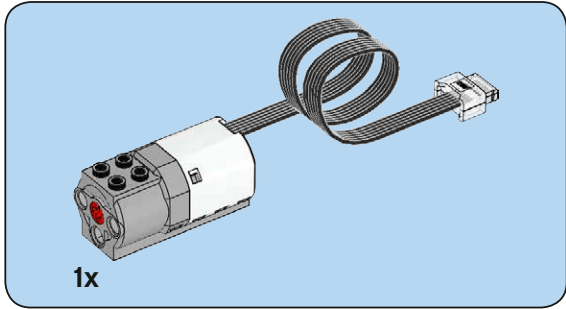
13



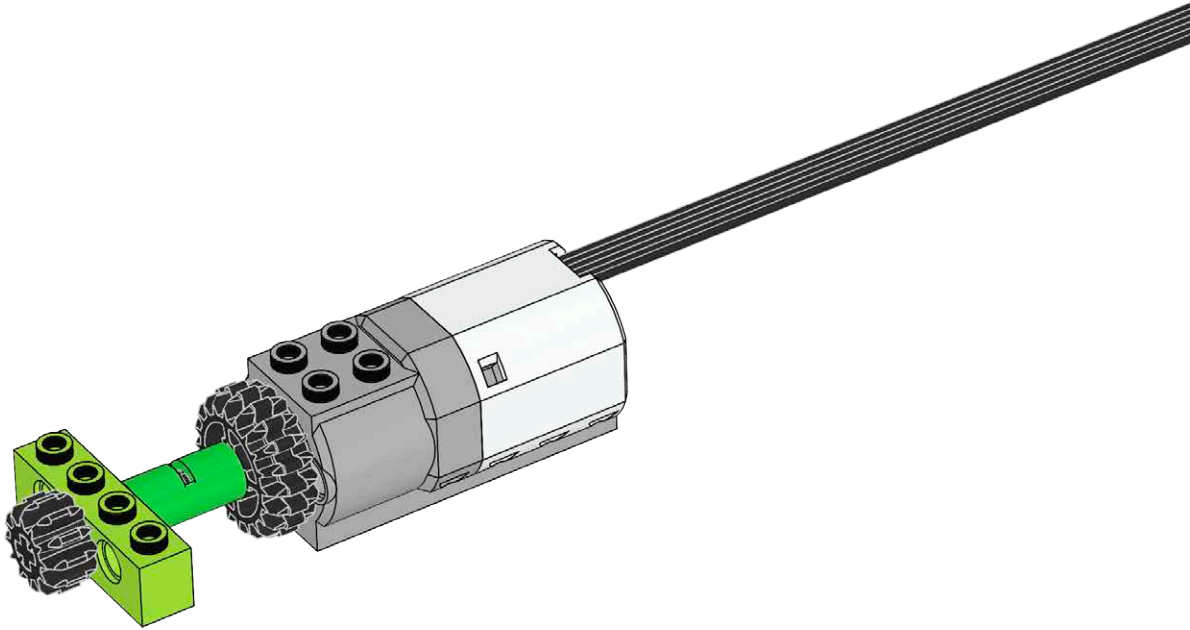


14

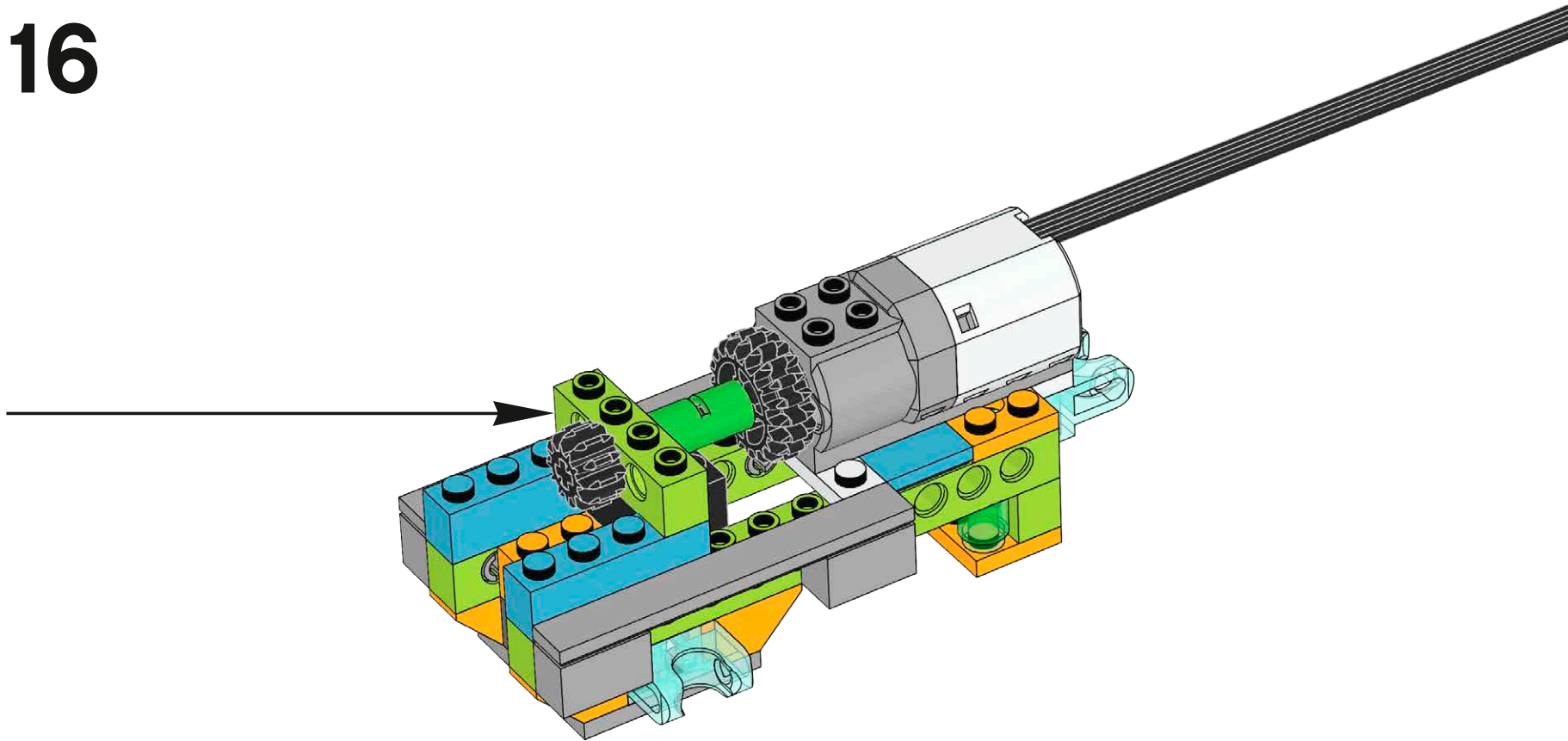


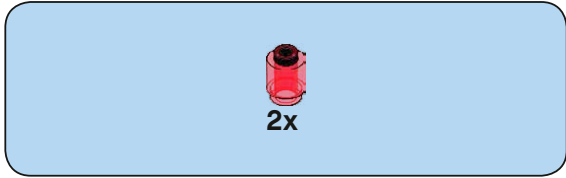


15

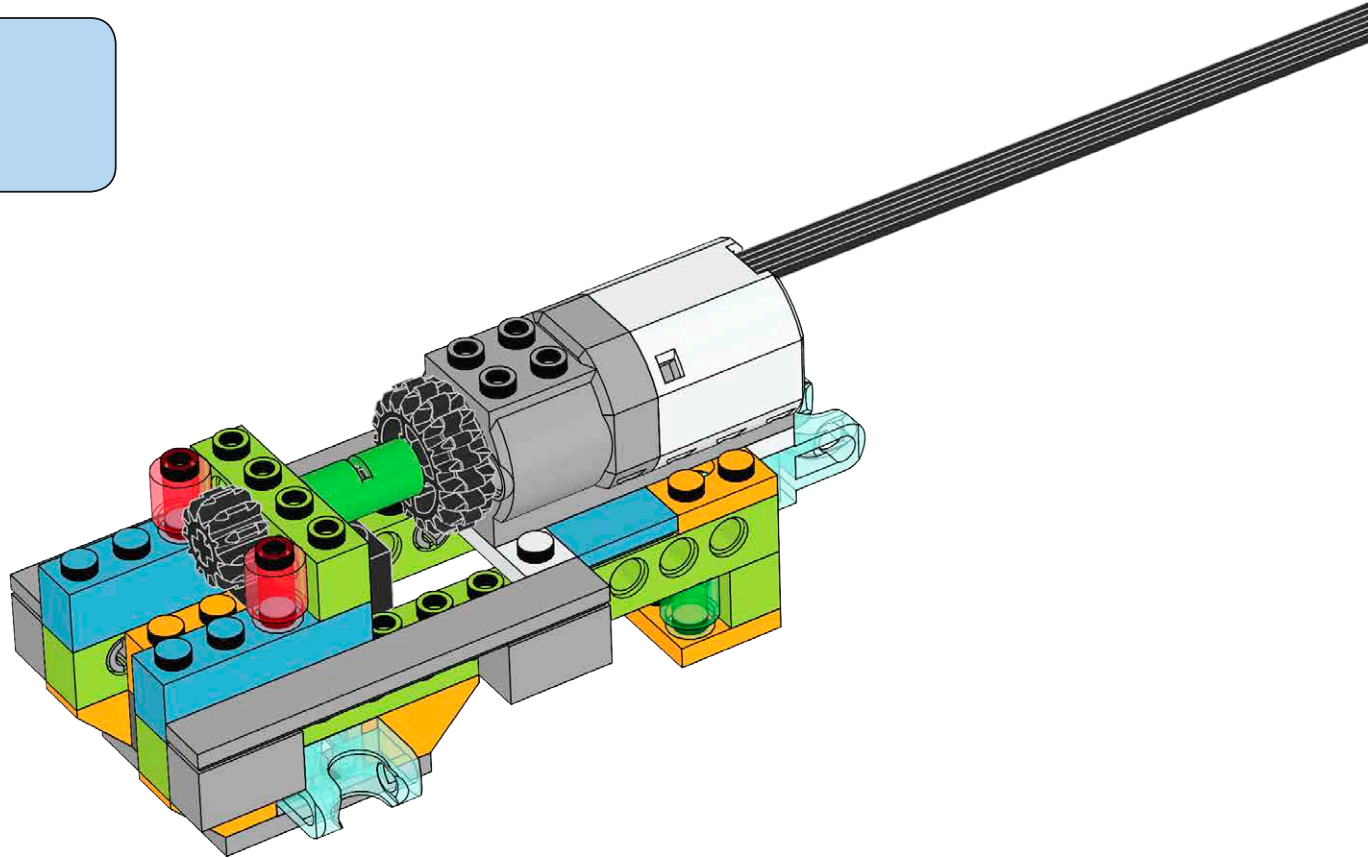


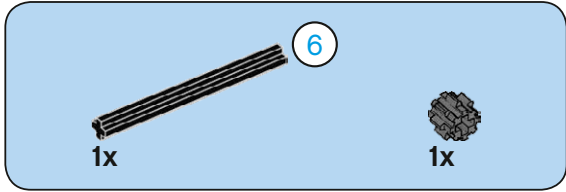
16



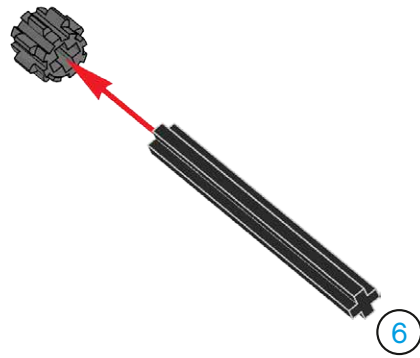


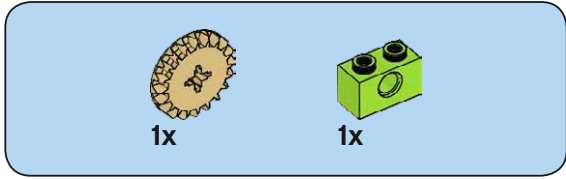
17



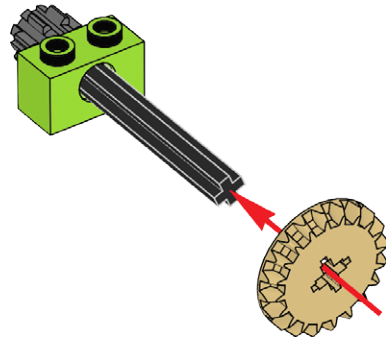


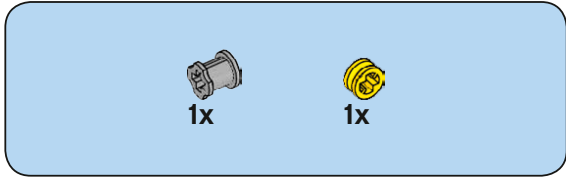
18



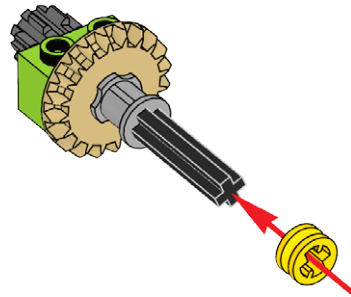


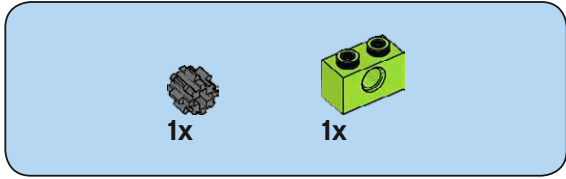
19



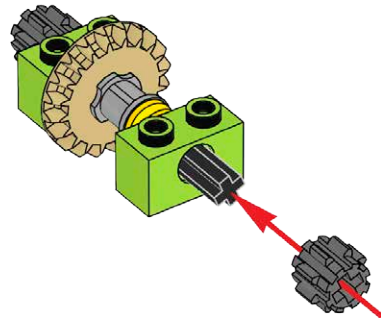


20

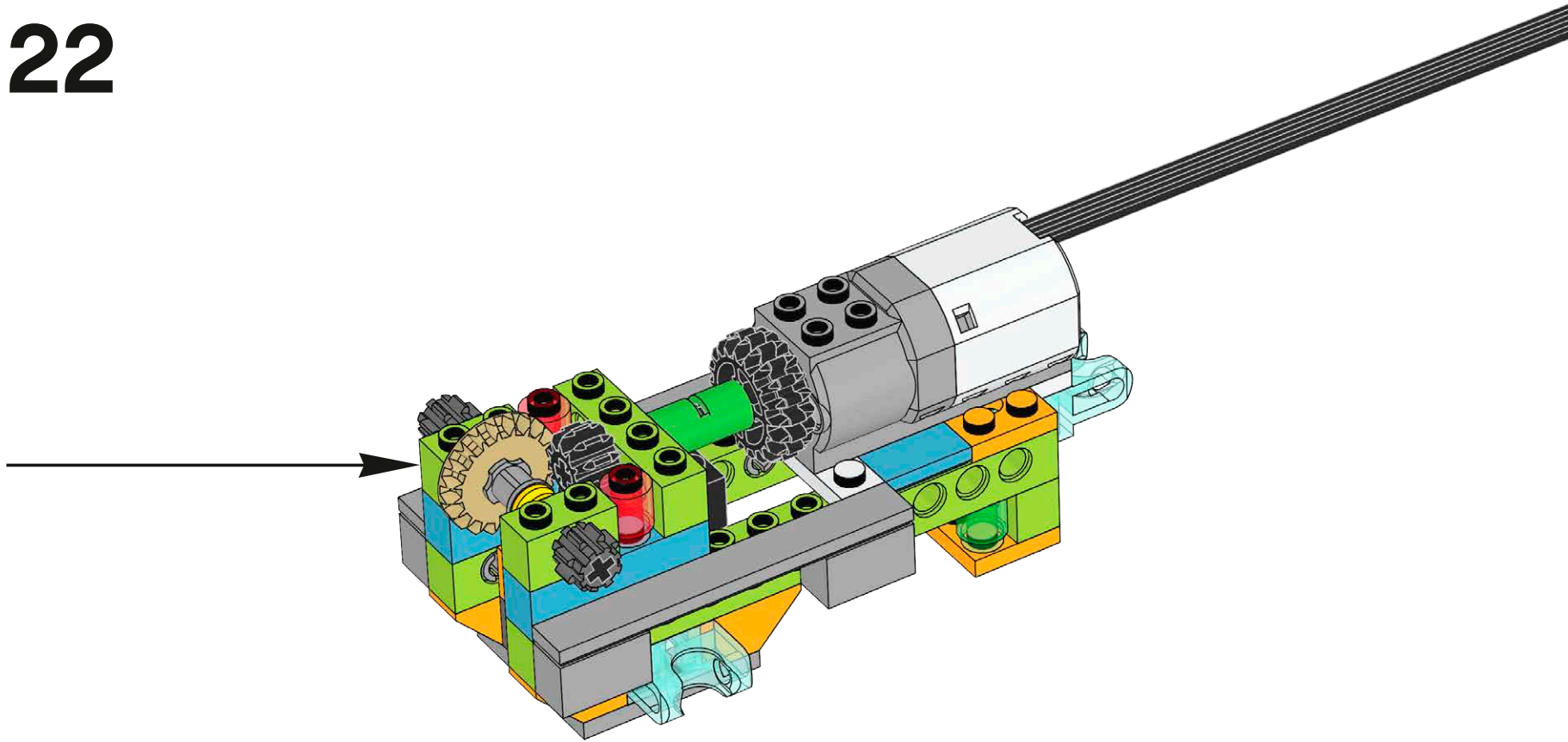


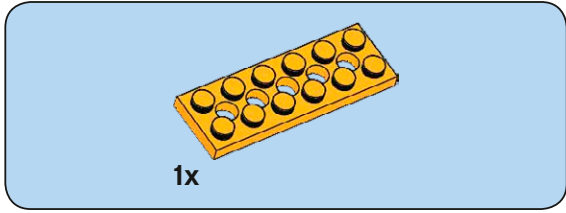


21

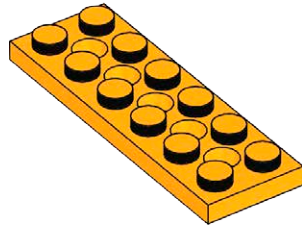


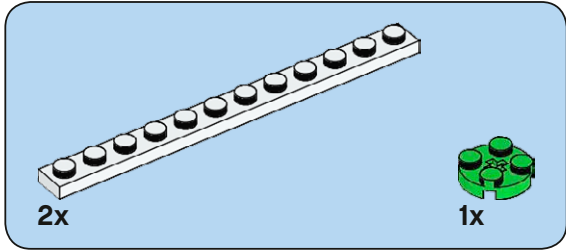
22



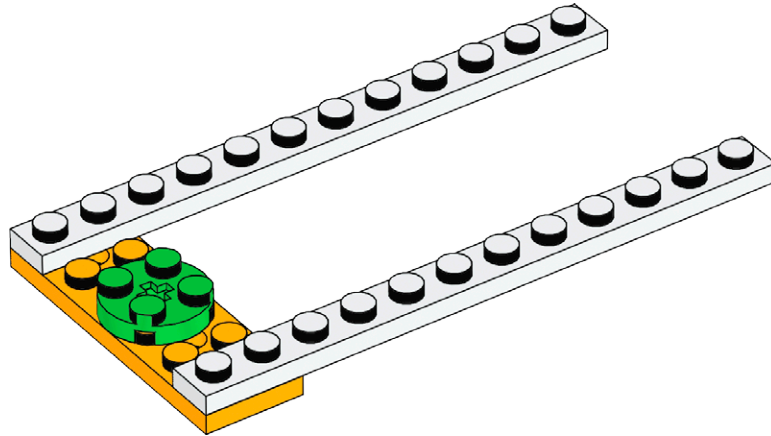


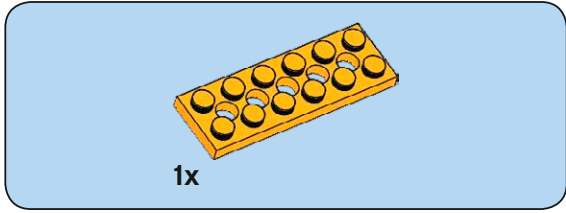
24



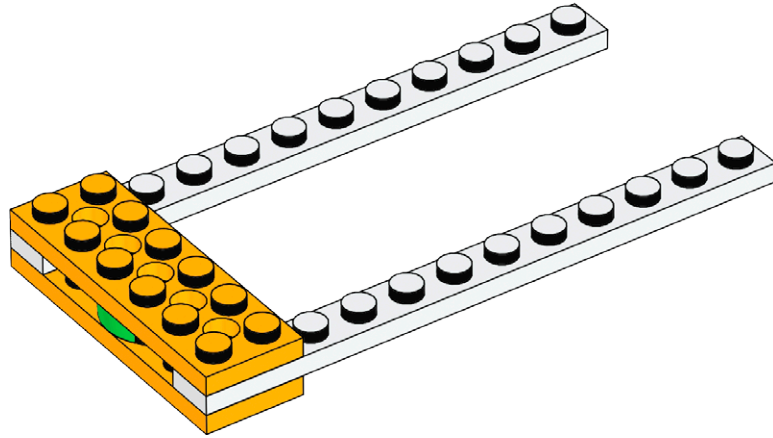


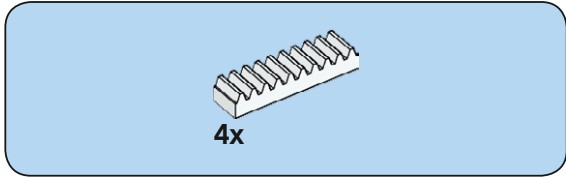
25



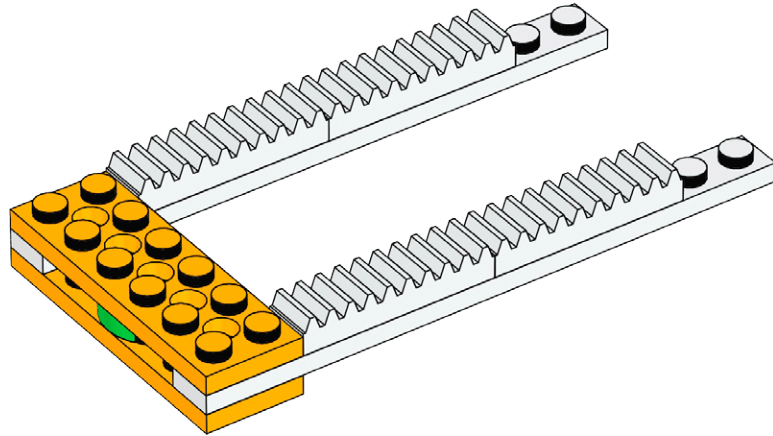


26

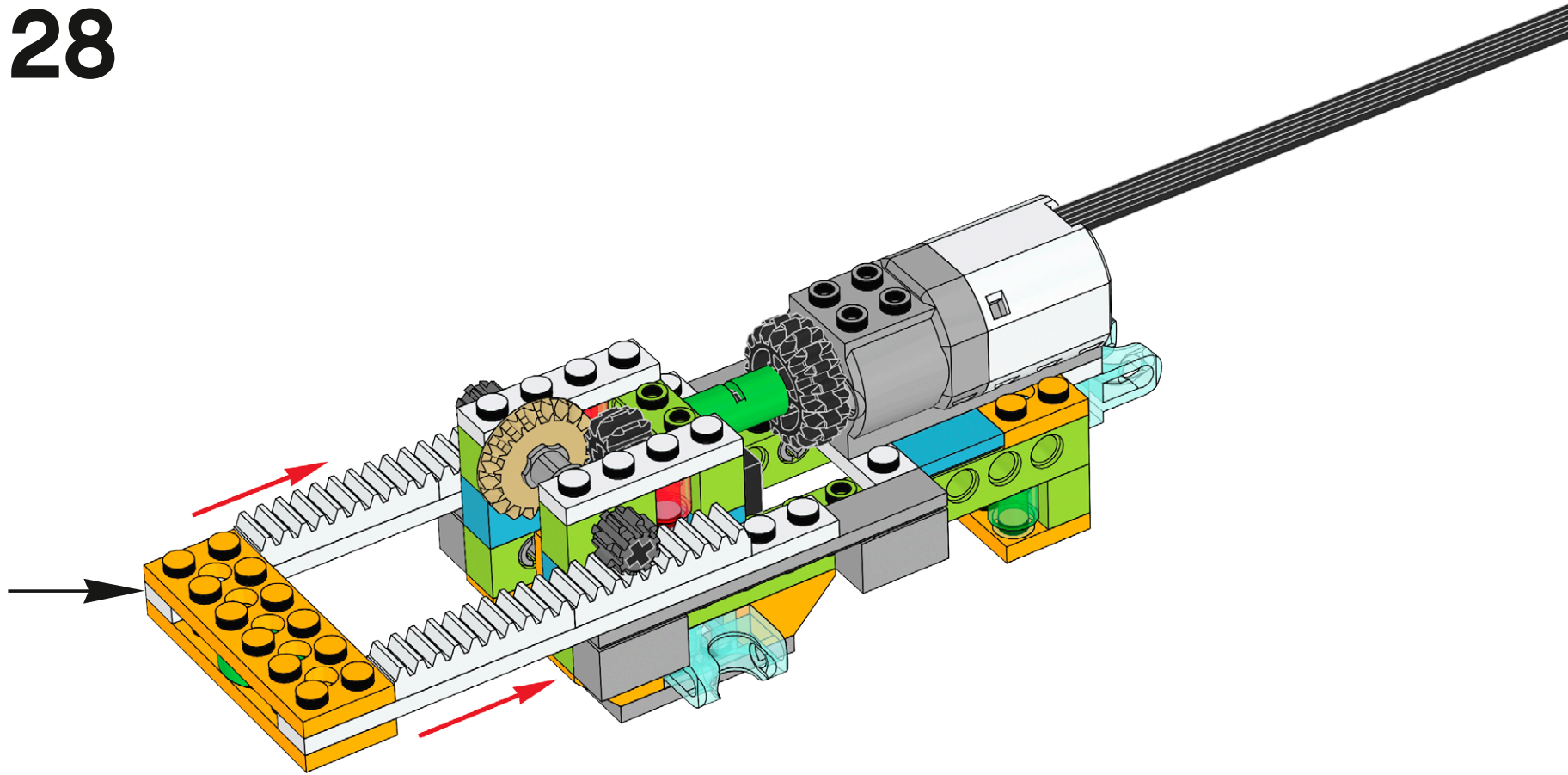


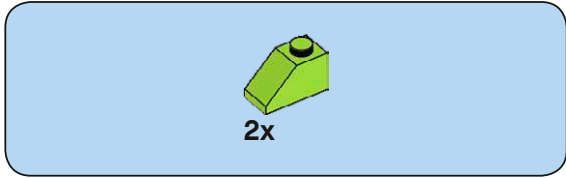


27

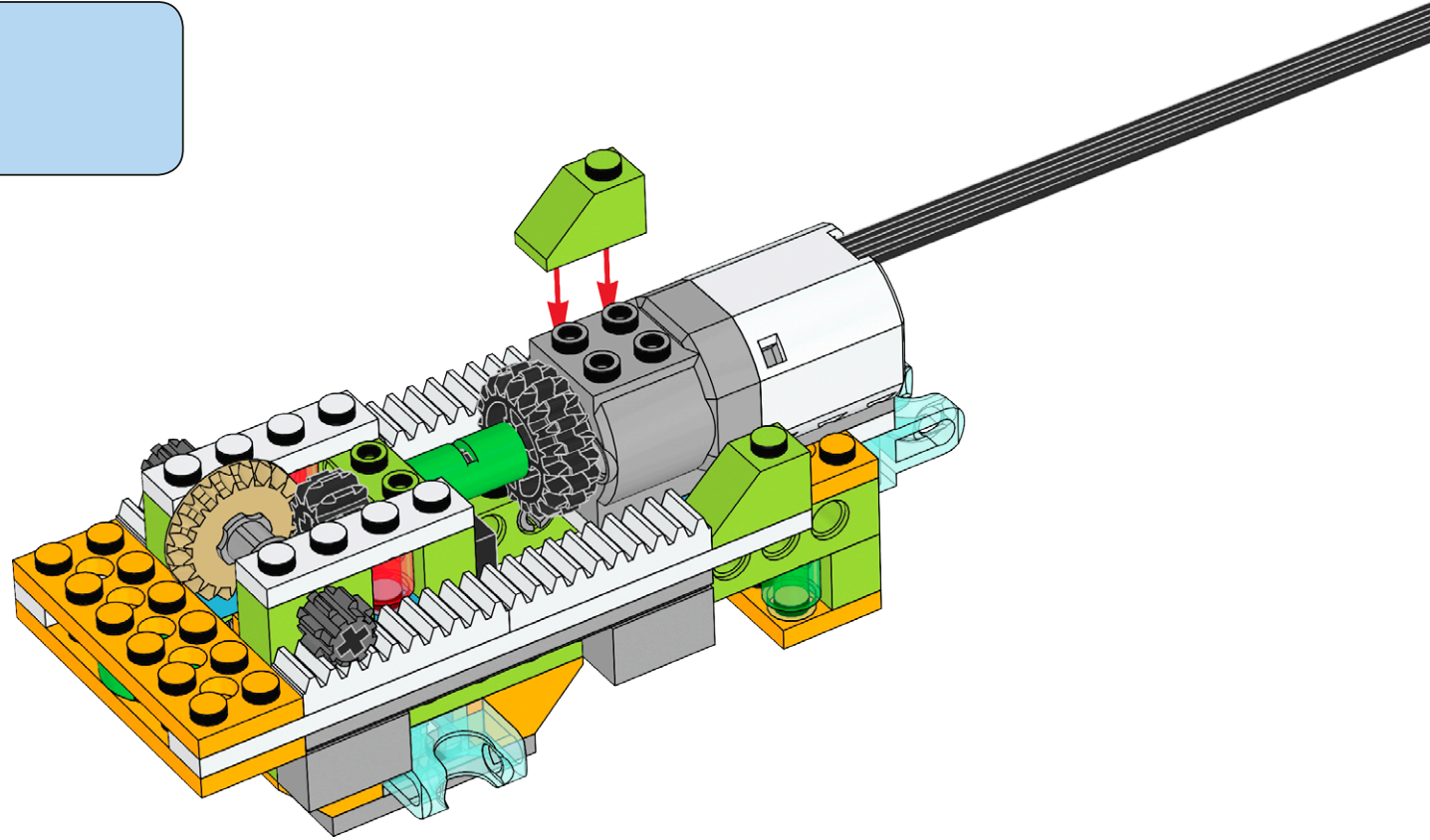


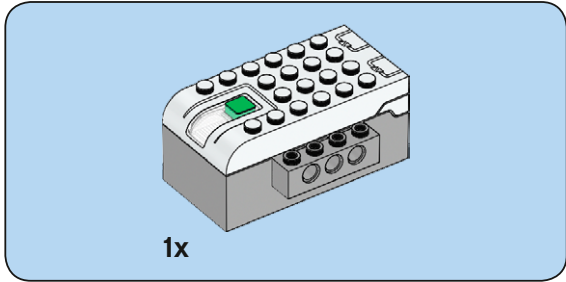
28



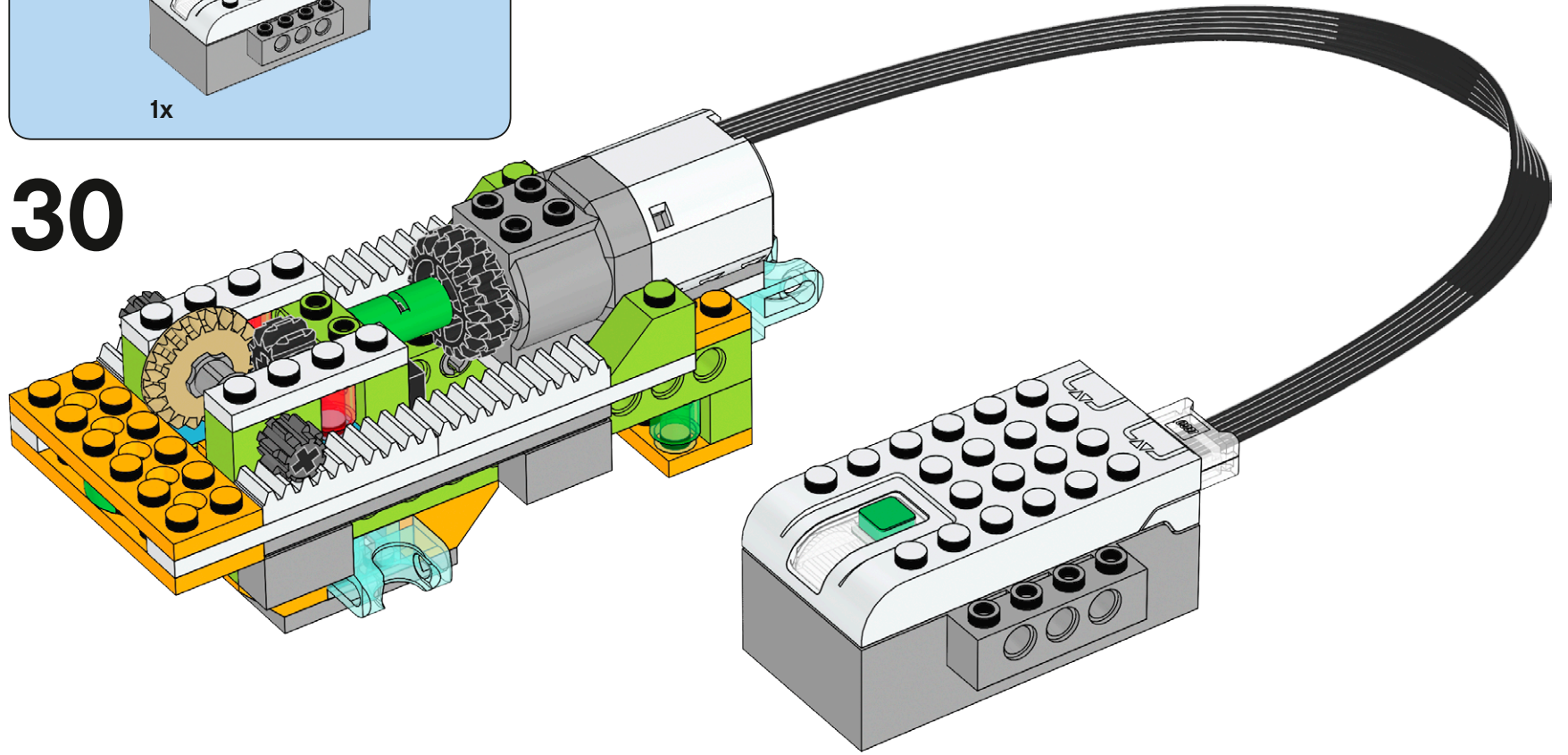


29





30



31

