

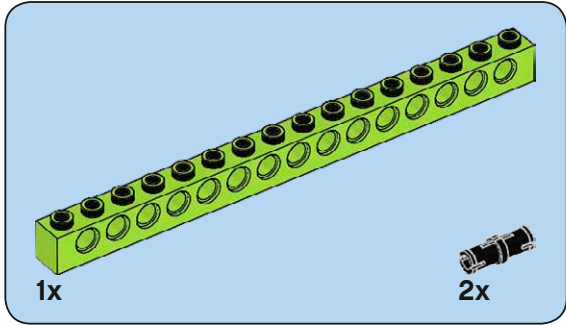
45300

LEGO and the LEGO logo are trademarks of the/son des marques de commerce
du/son marcas registradas de LEGO Group. ©2015 The LEGO Group. 088360.

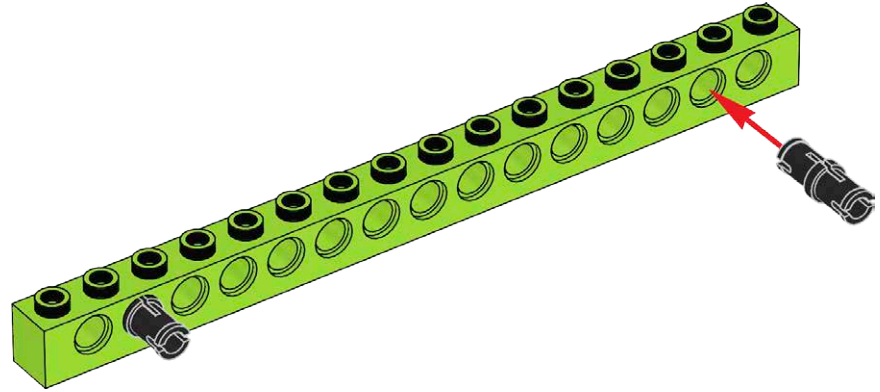


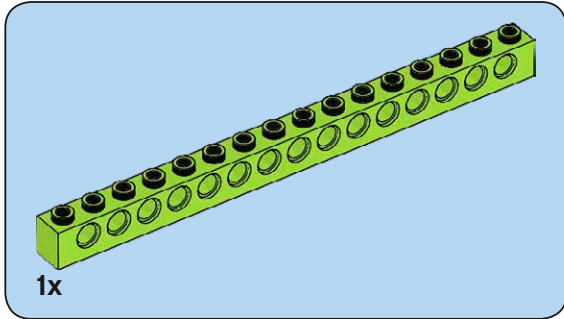
45300

LEGO and the LEGO logo are trademarks of the/son des marques de commerce
du/son marcas registradas de LEGO Group. ©2015 The LEGO Group. 088360.

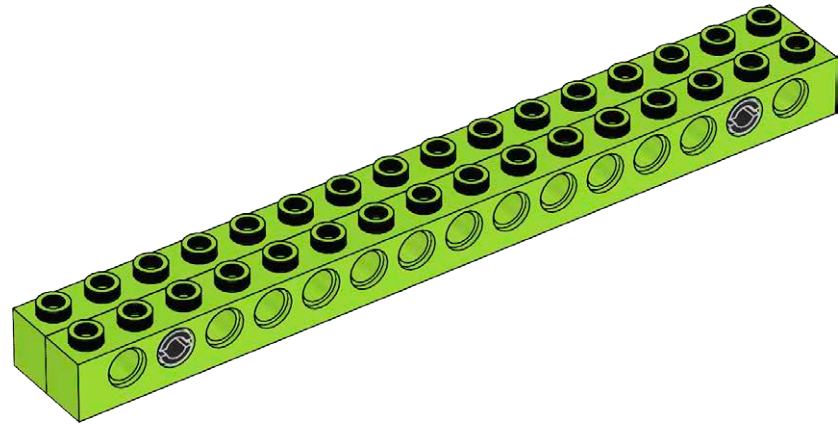


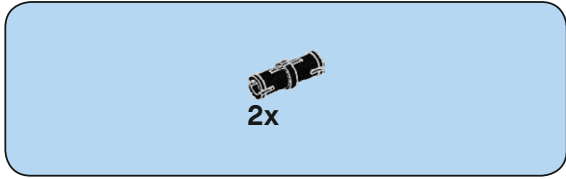
1



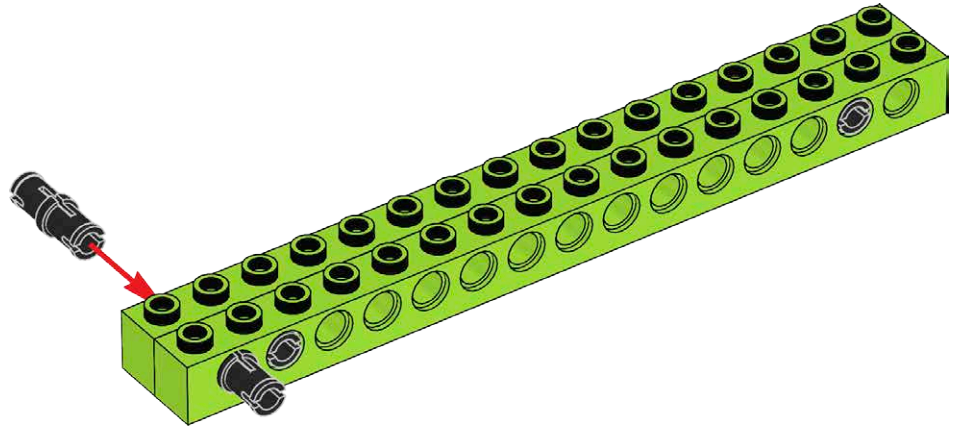


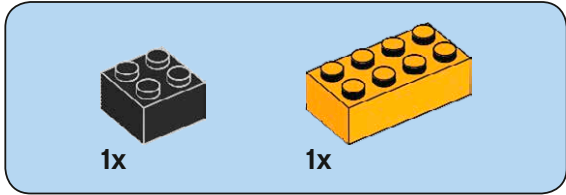
2



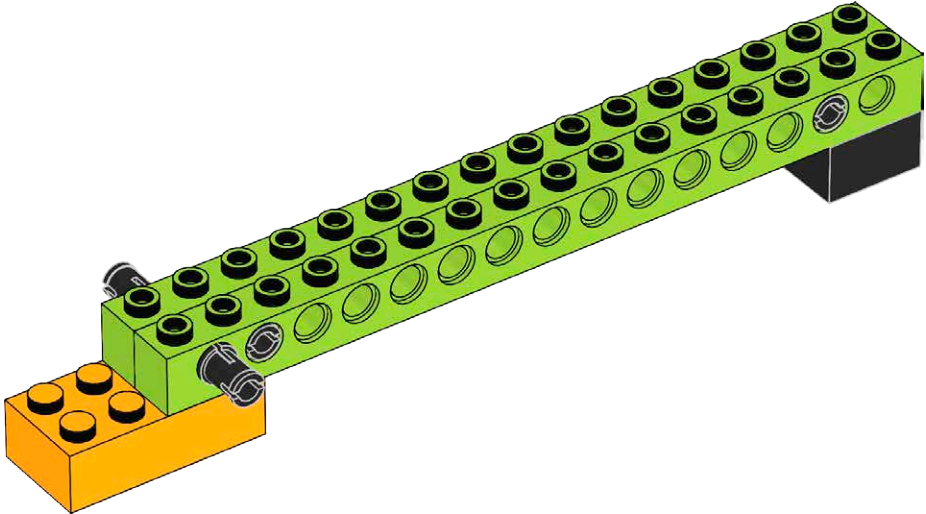


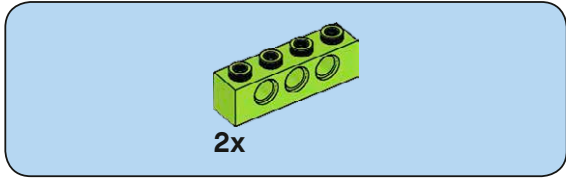
3



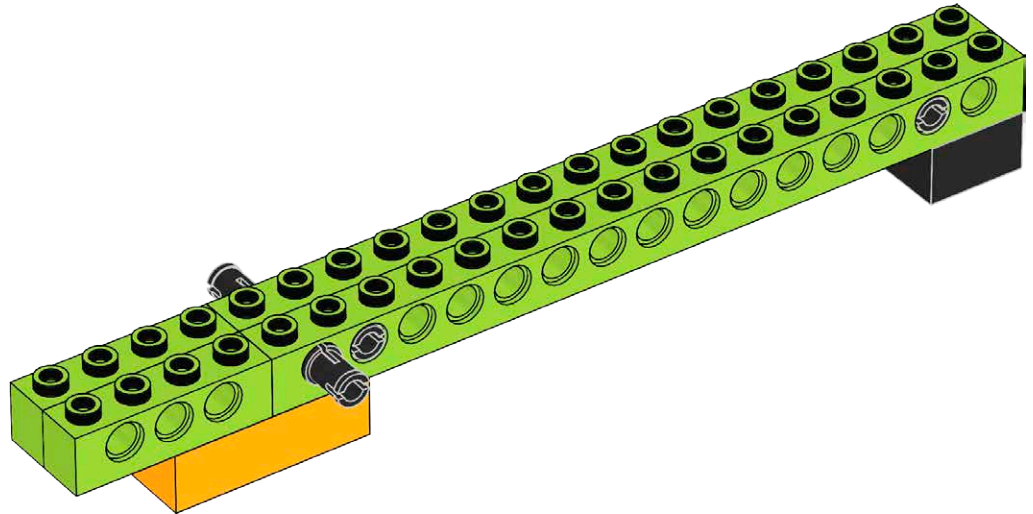


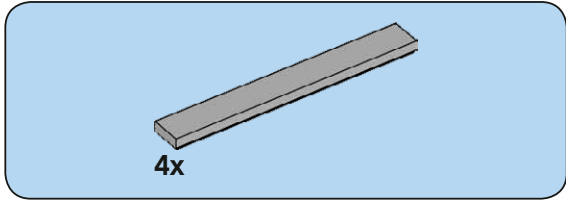
4



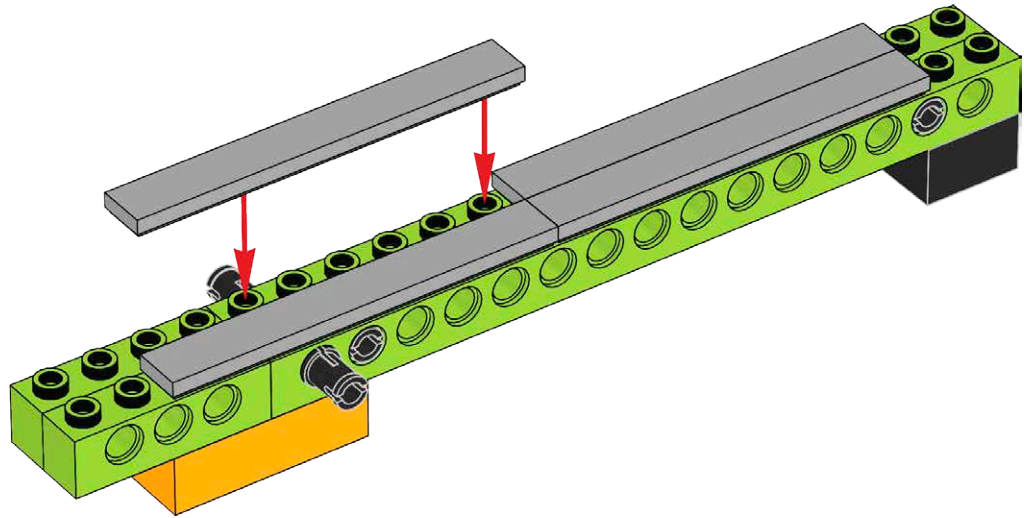


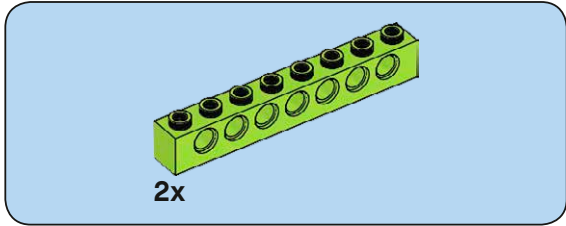
5



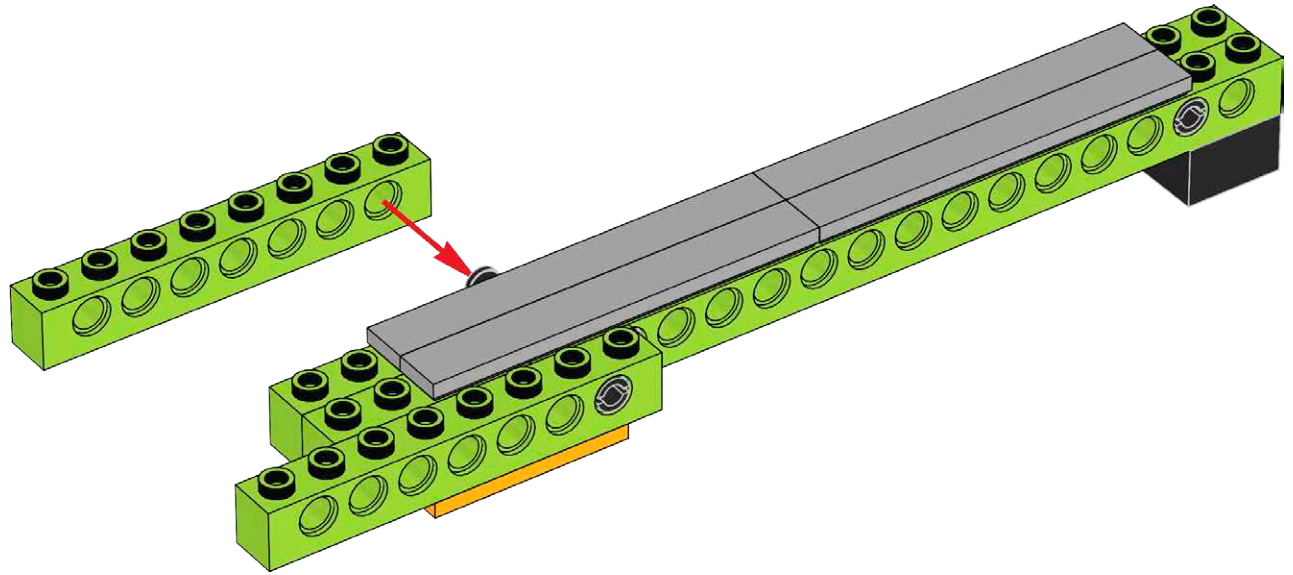


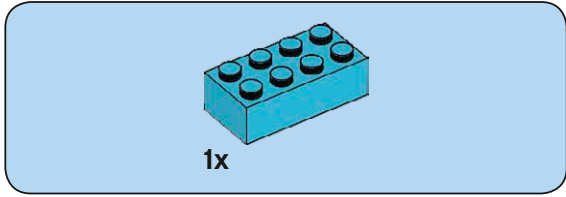
6



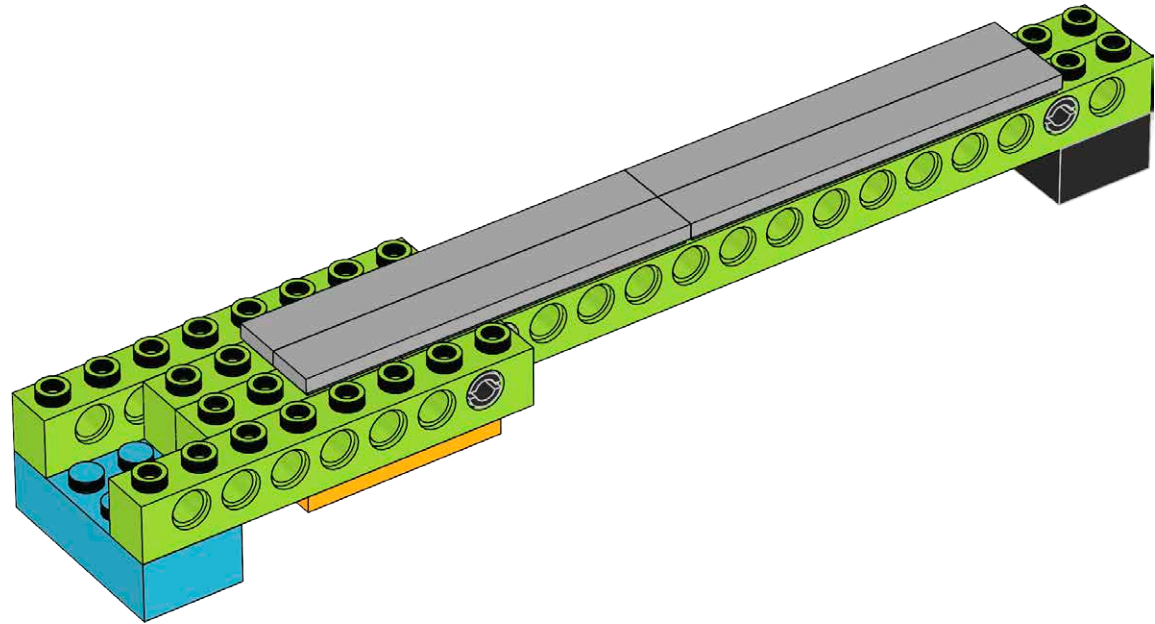


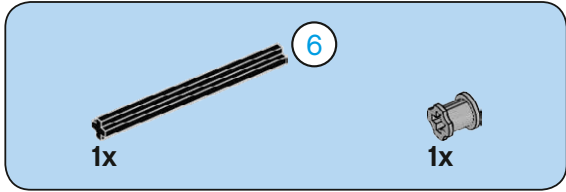
7



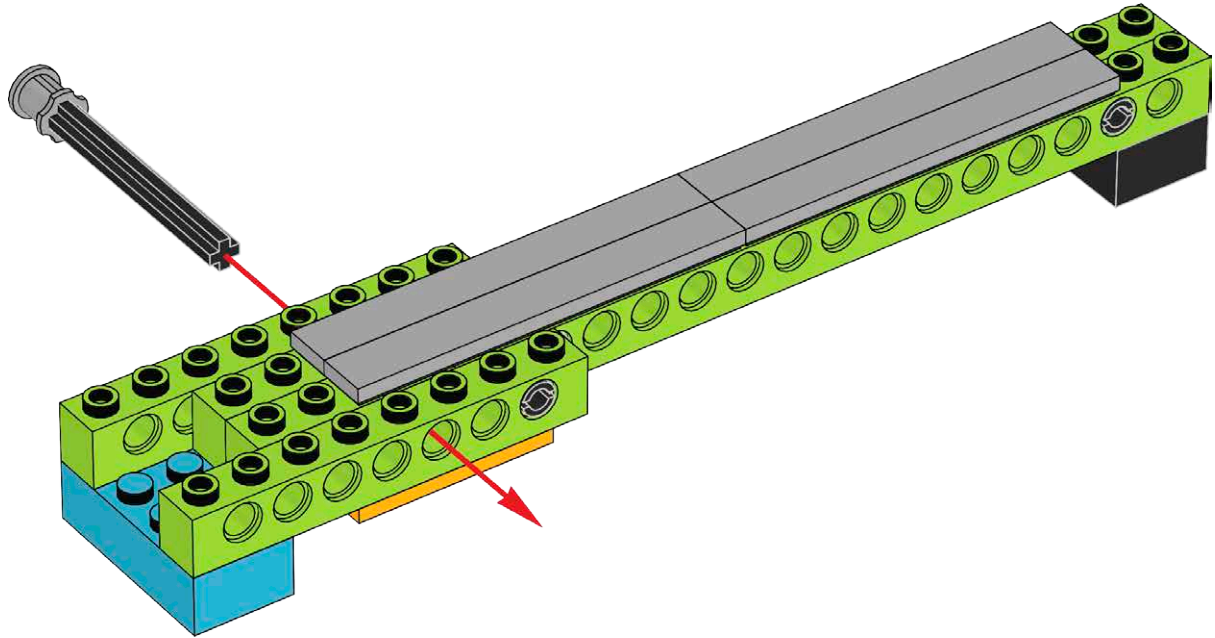


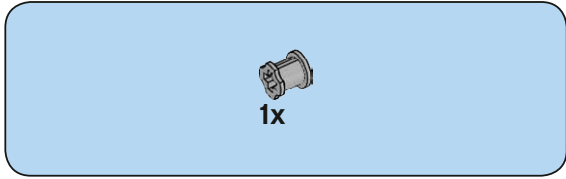
8



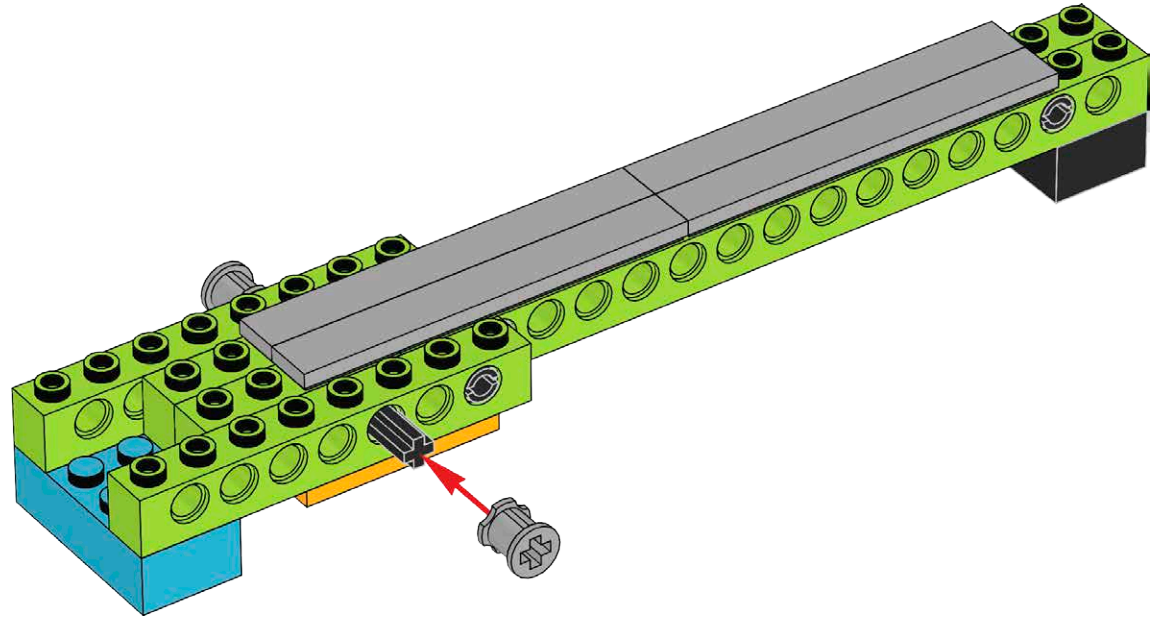


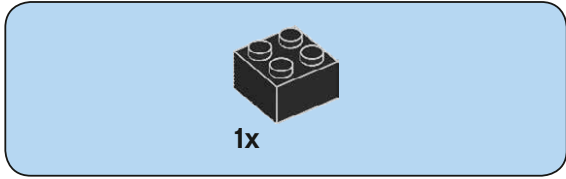
9



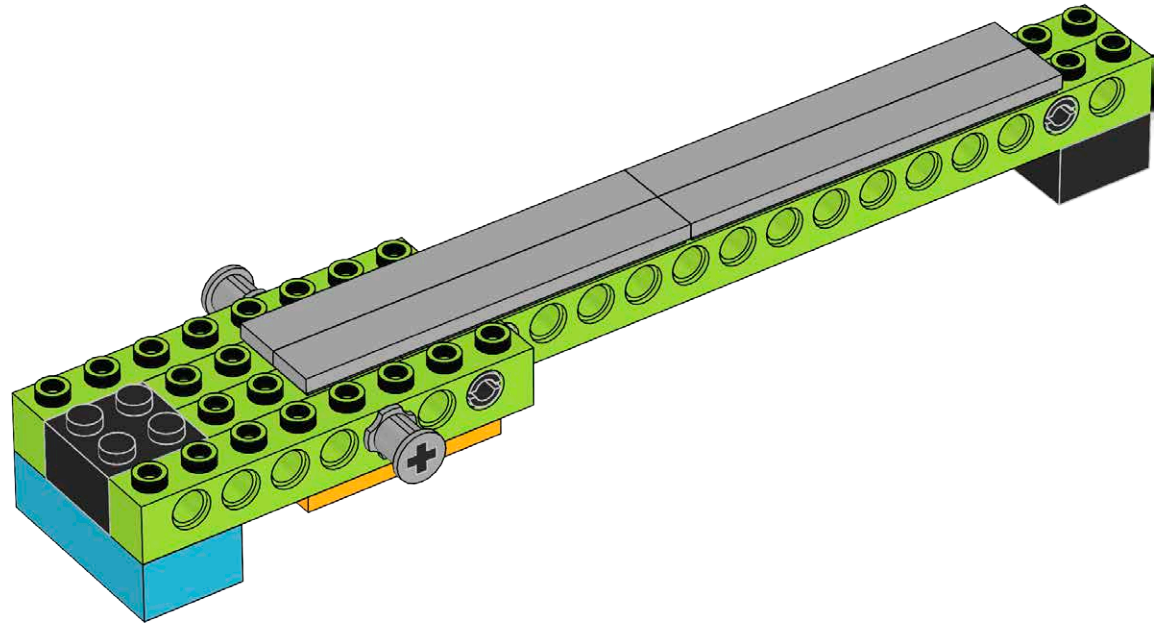


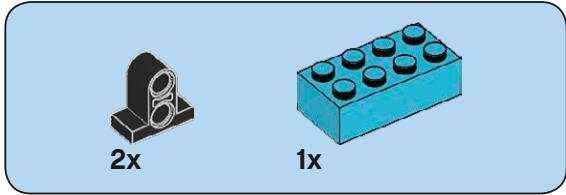
10



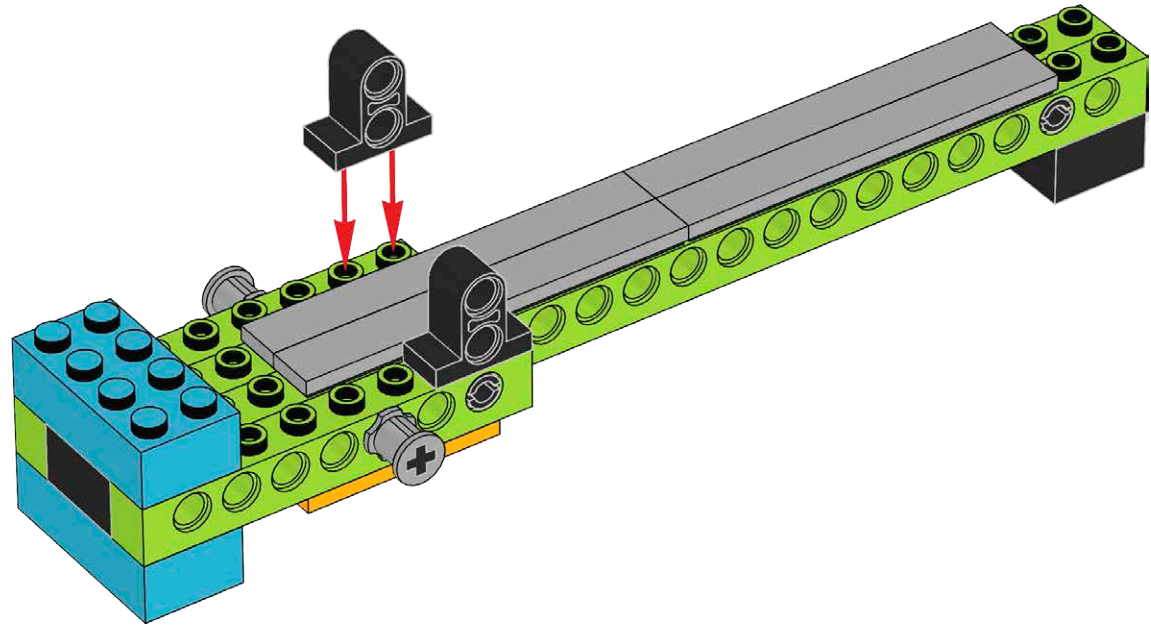


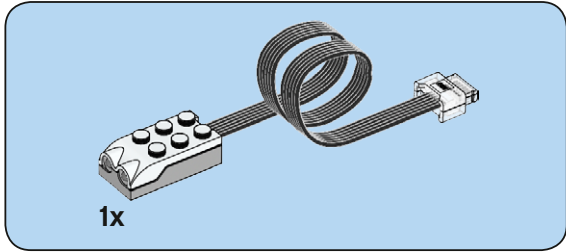
11



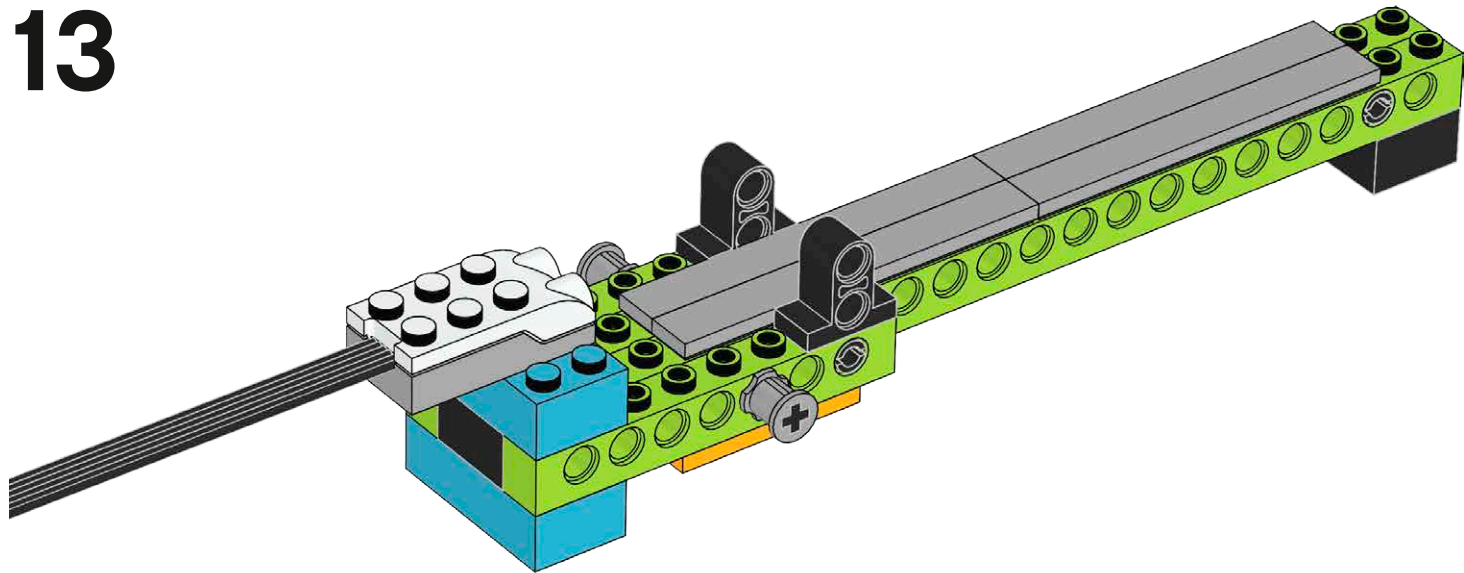


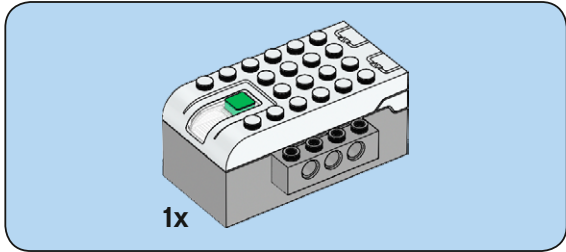
12



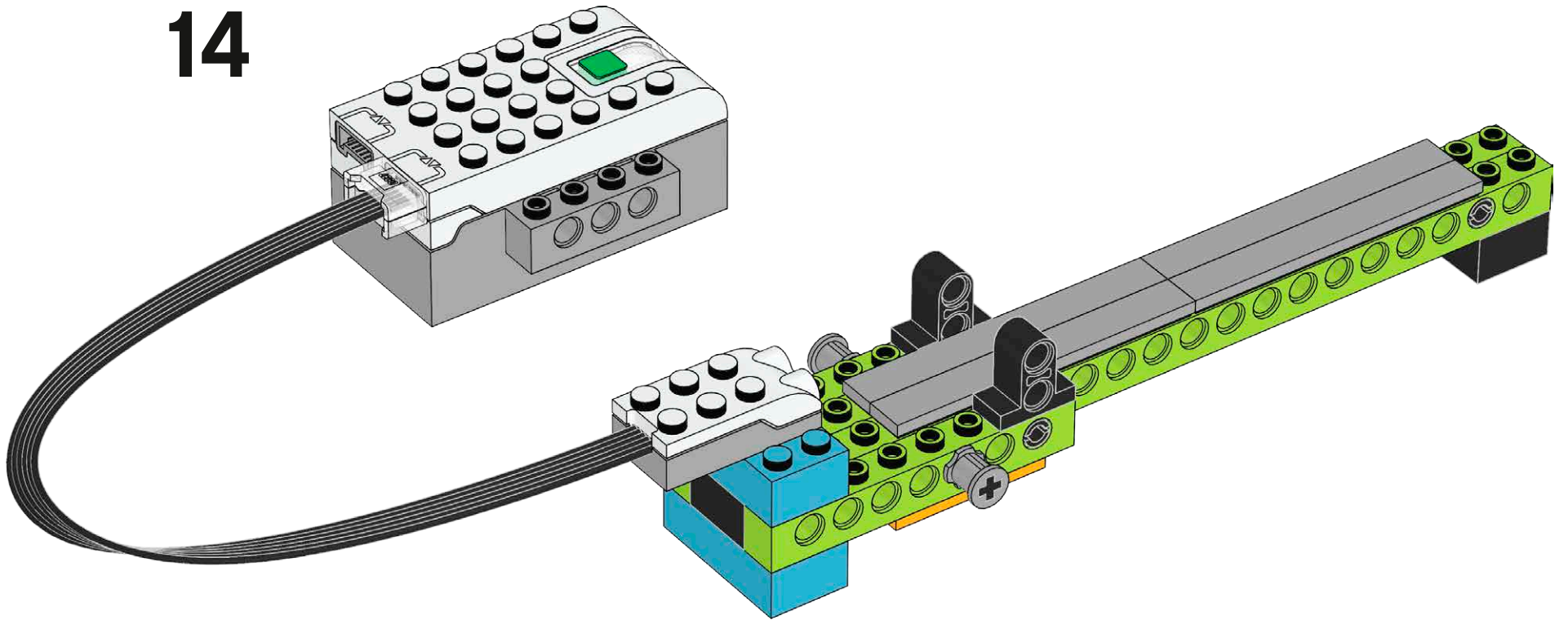


13





14



15

