

45300

LEGO and the LEGO logo are trademarks of the/son/ des marques de commerce
du/son marcas registradas de LEGO Group. ©2015 The LEGO Group. 088360.



education

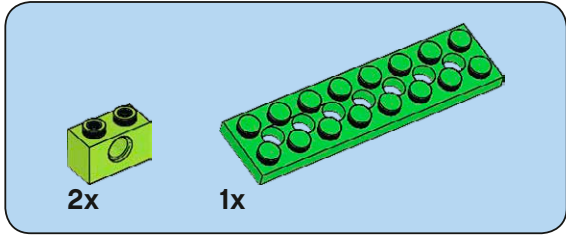


45300

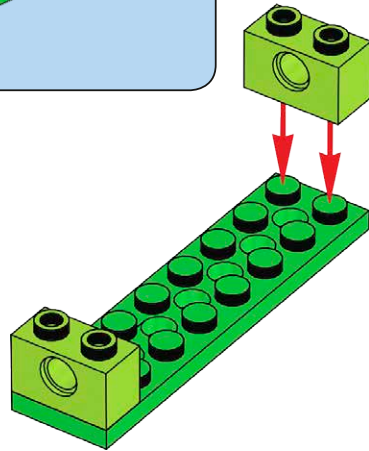
LEGO and the LEGO logo are trademarks of the/son des marques de commerce
du/son marcas registradas de LEGO Group. ©2015 The LEGO Group. 088360.

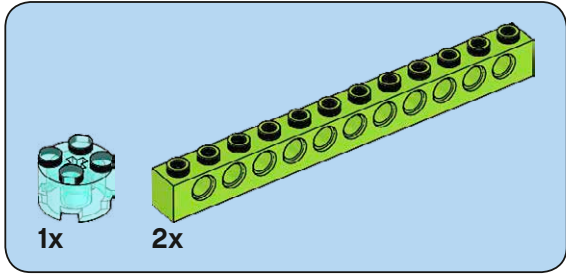


education

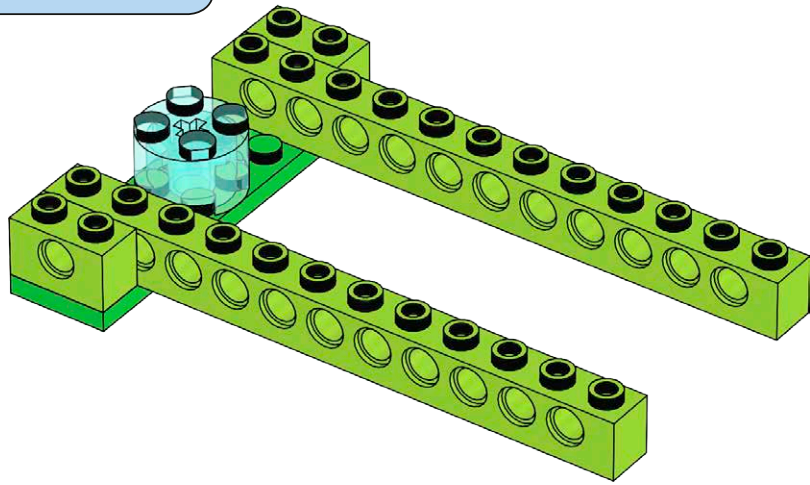


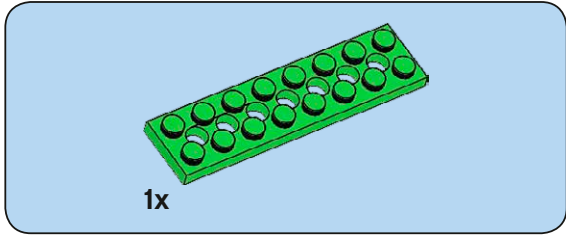
1



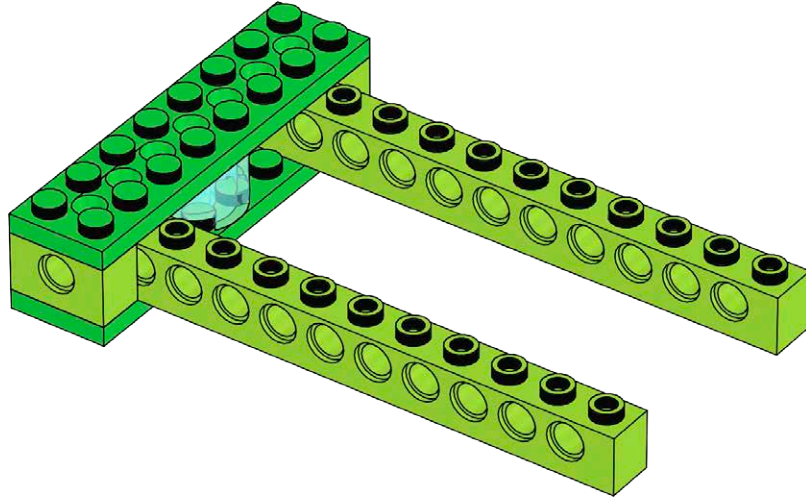


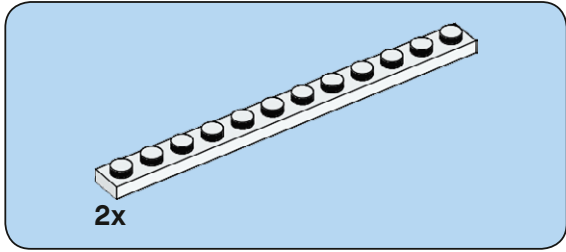
2



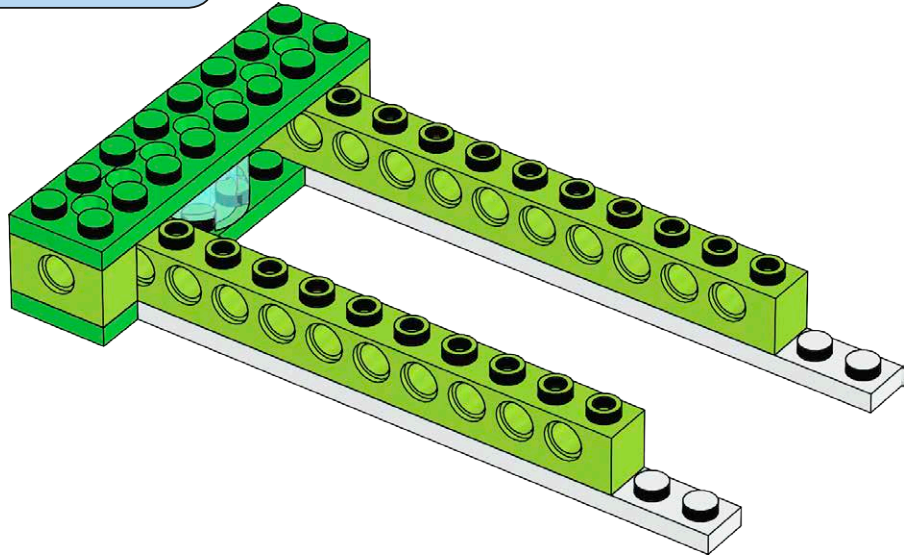


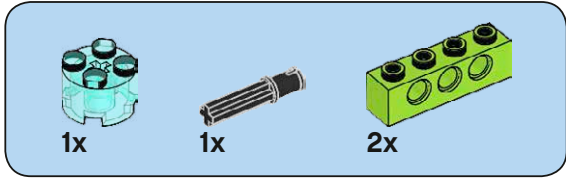
3



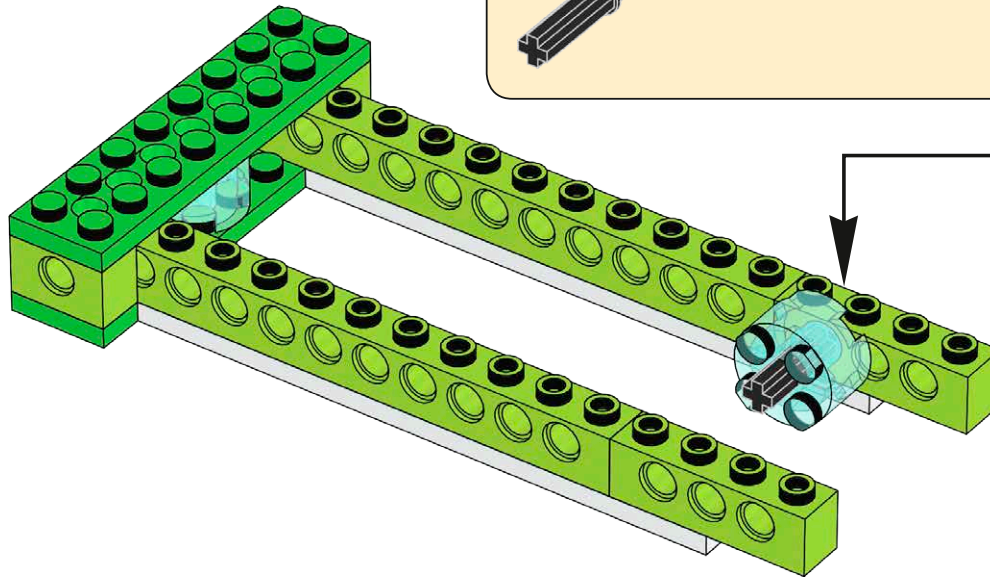
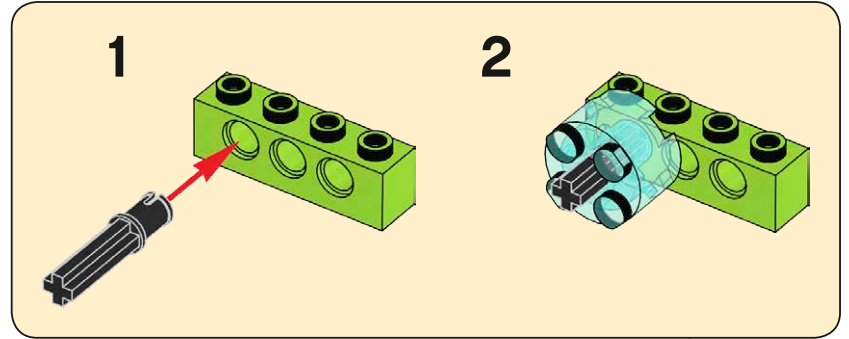


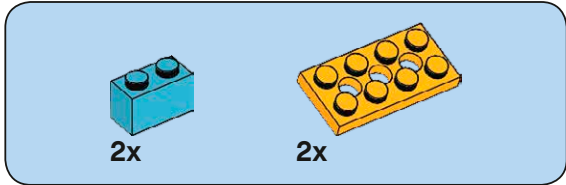
4



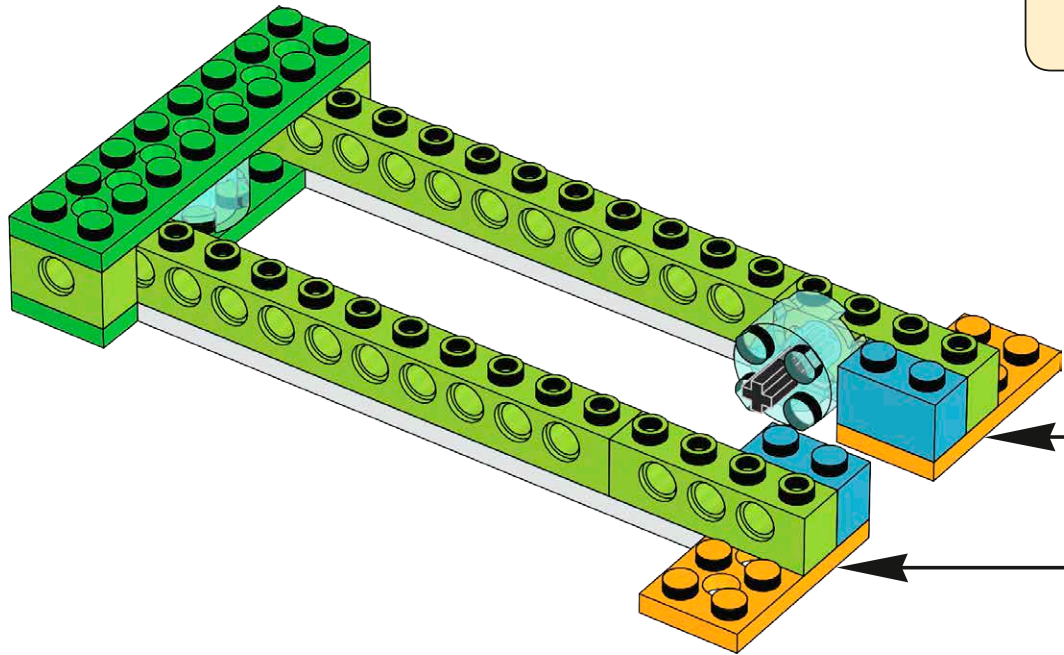
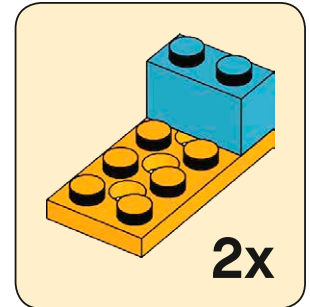


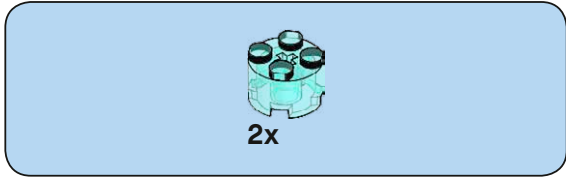
5



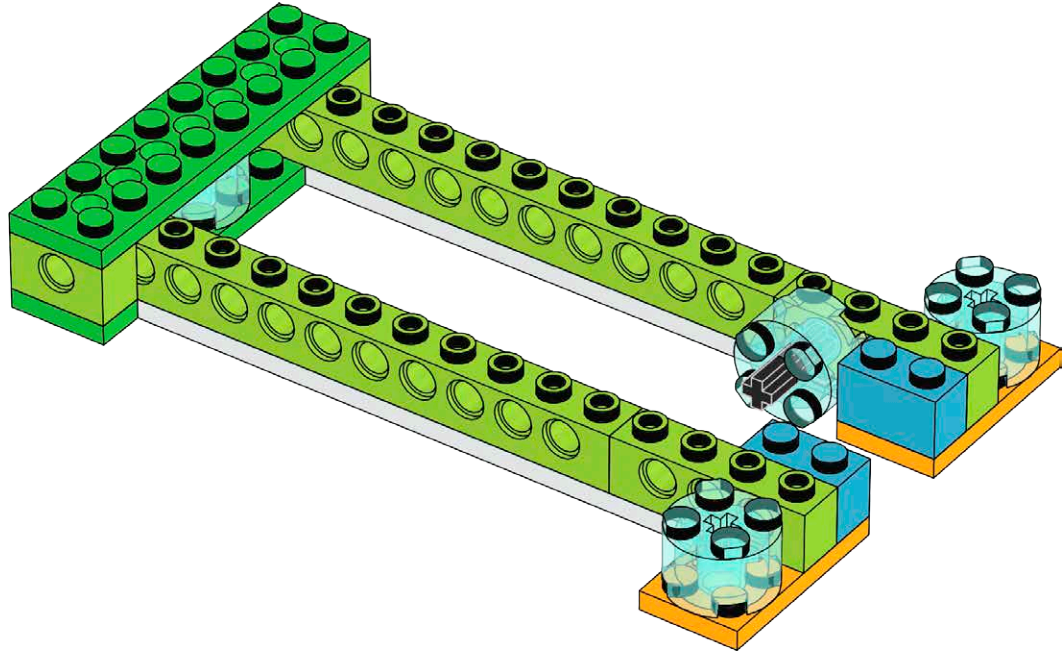


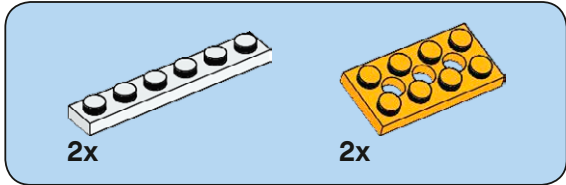
6



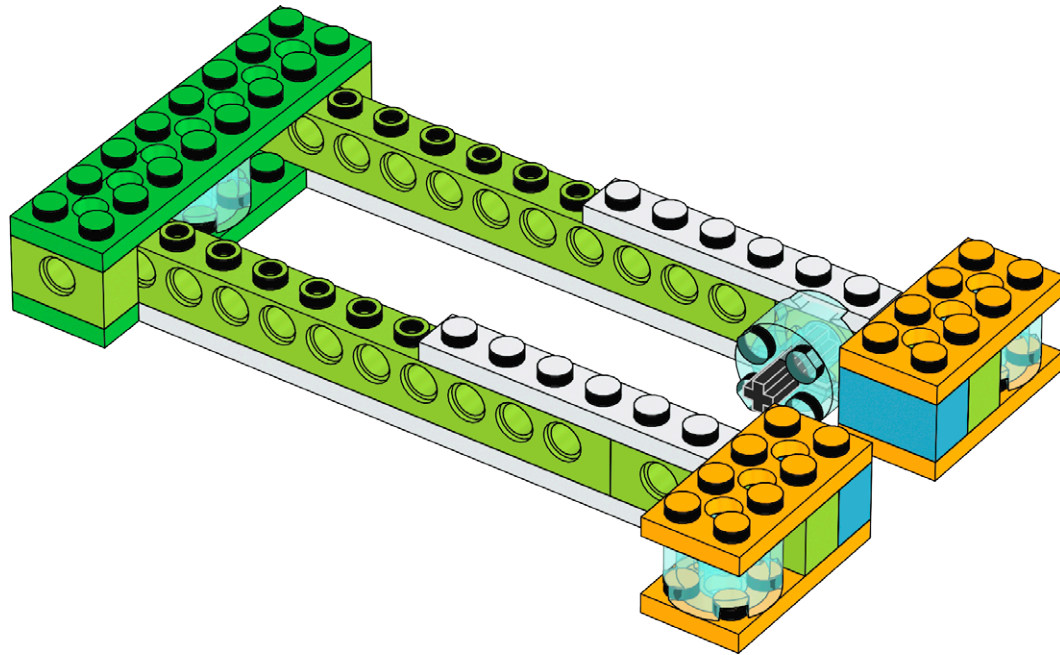


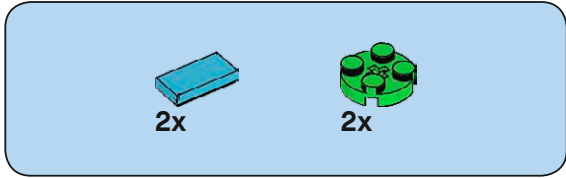
7



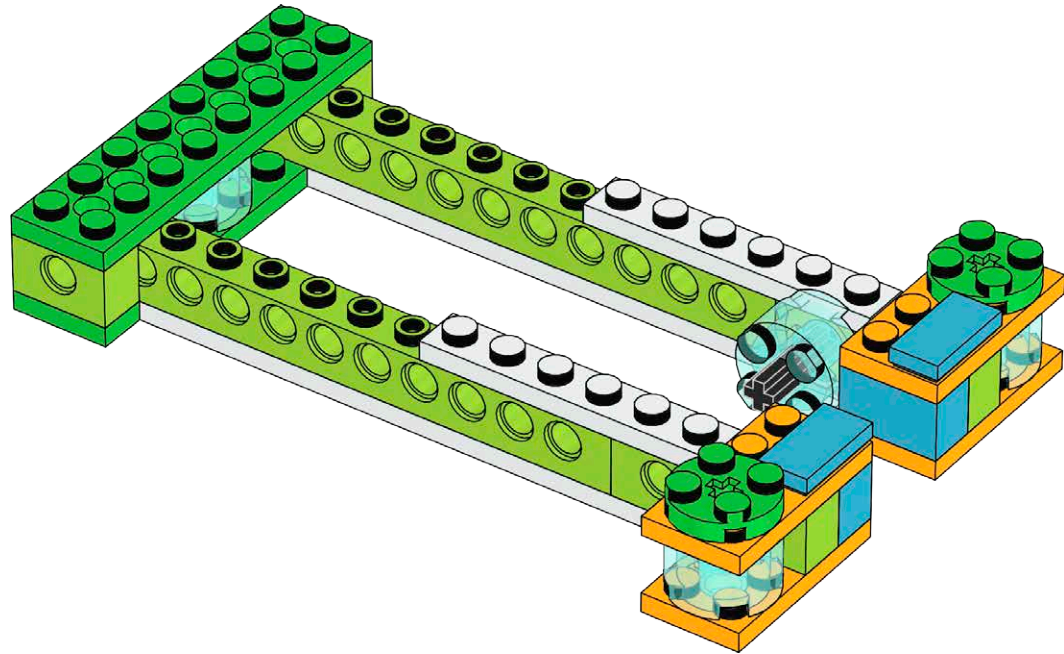


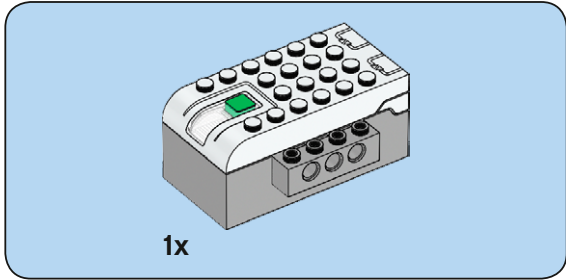
8



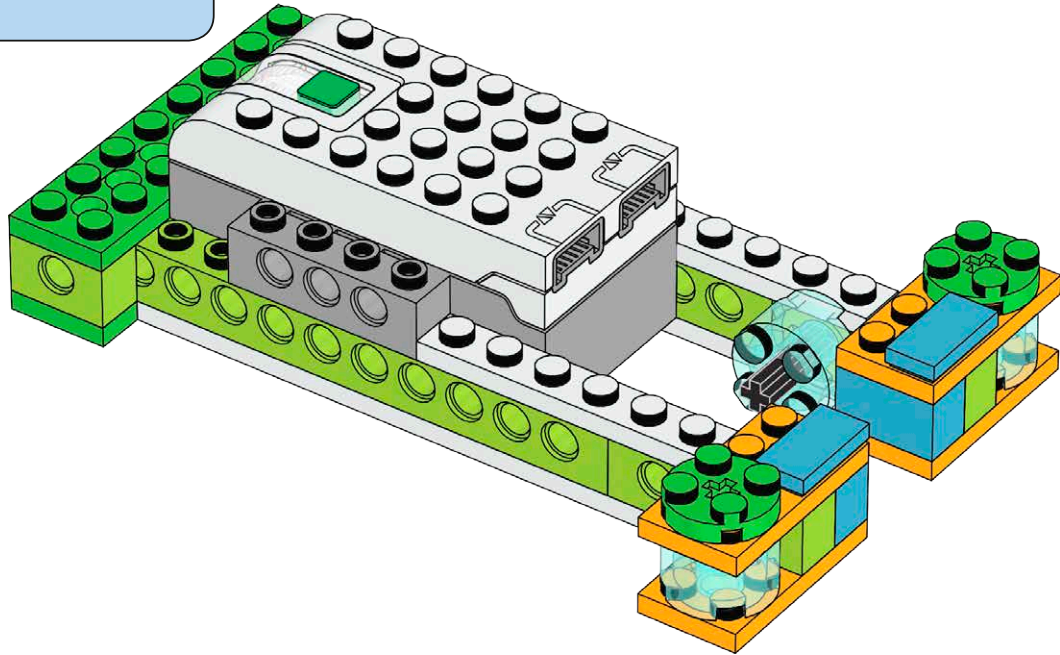


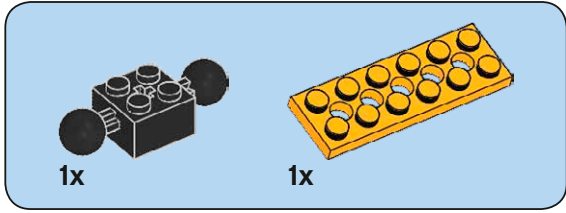
9



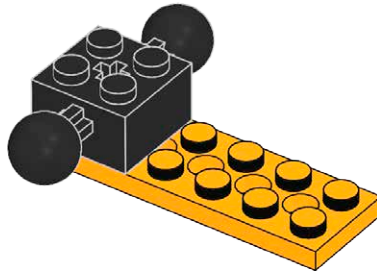


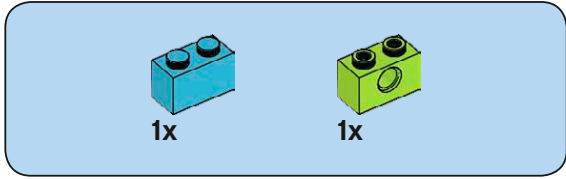
10



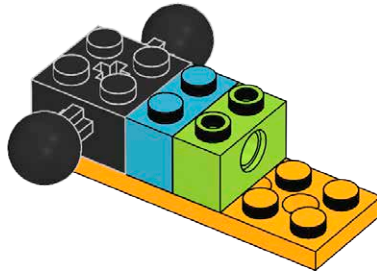


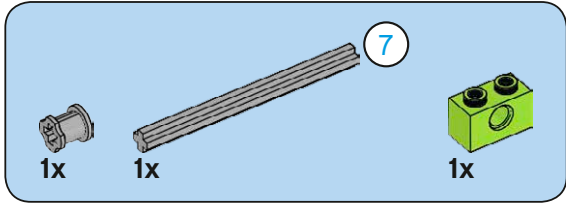
11



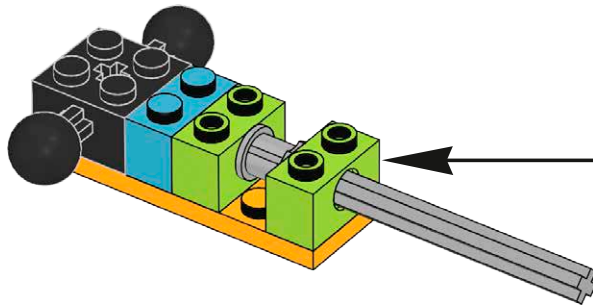
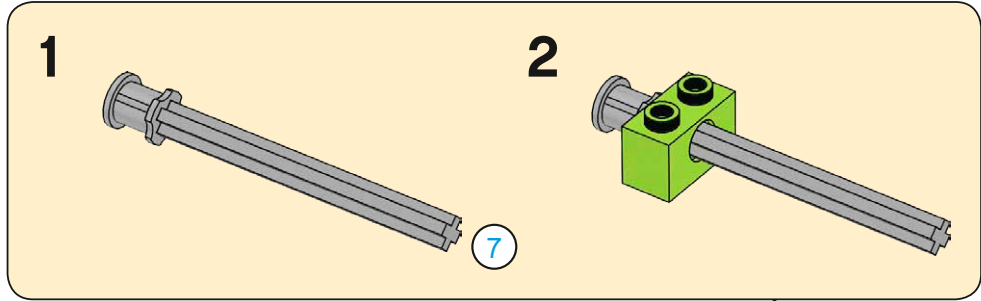


12

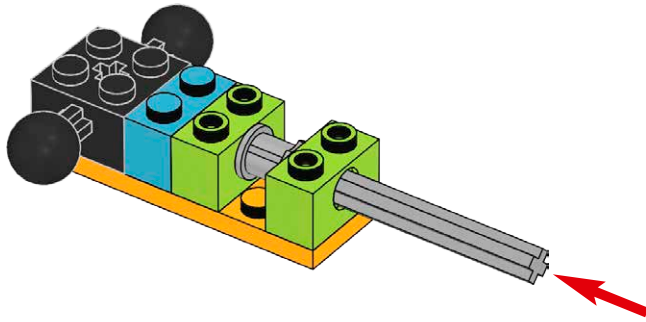


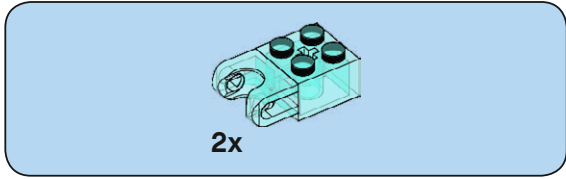


13

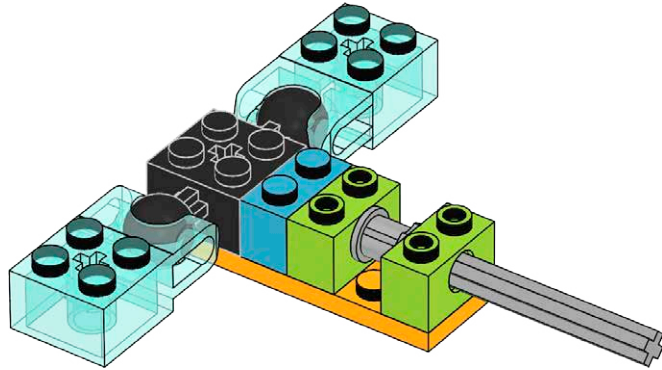


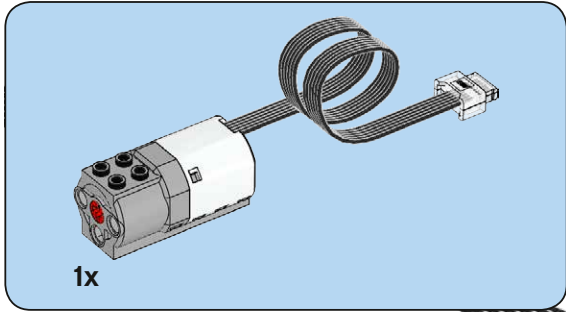
14





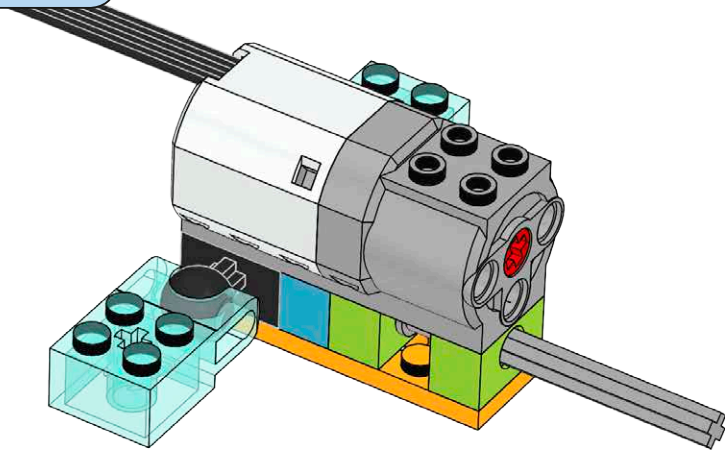
15

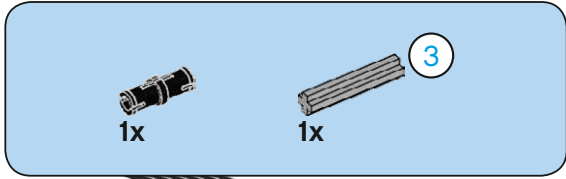




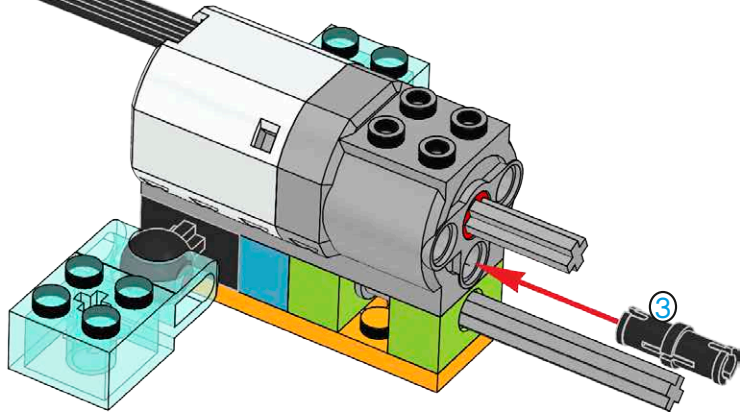
1x

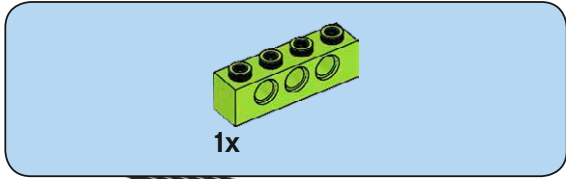
16



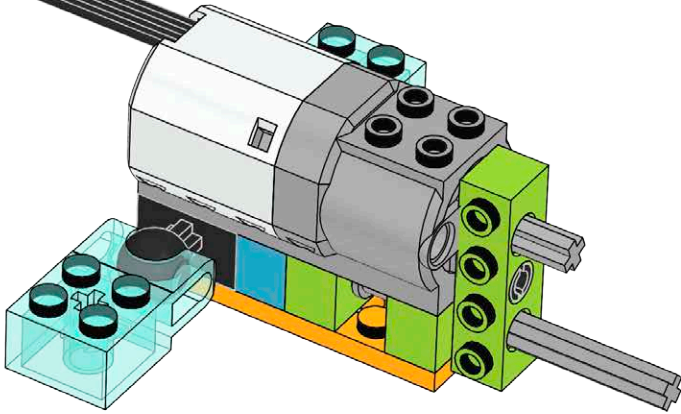


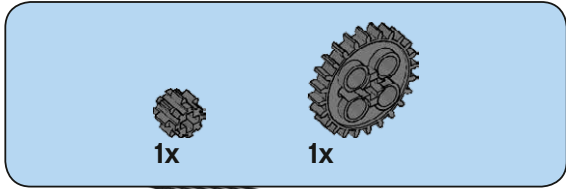
17



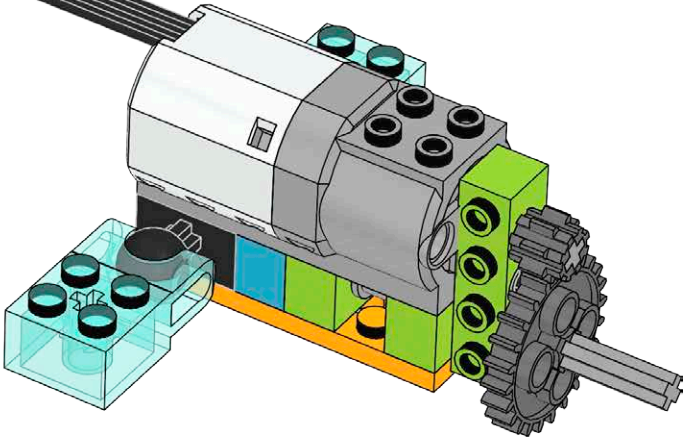


18

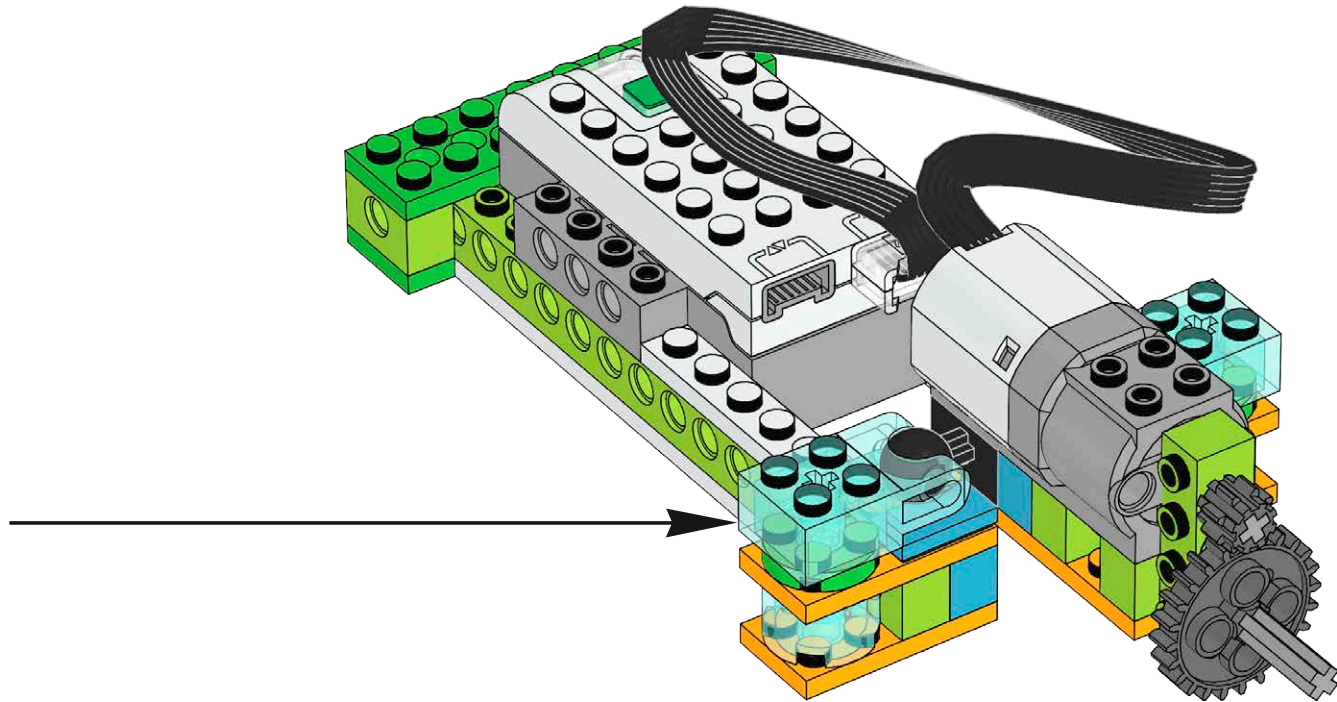


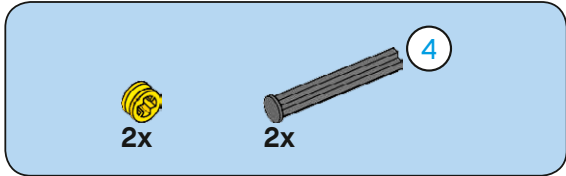


19

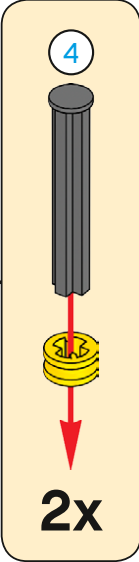
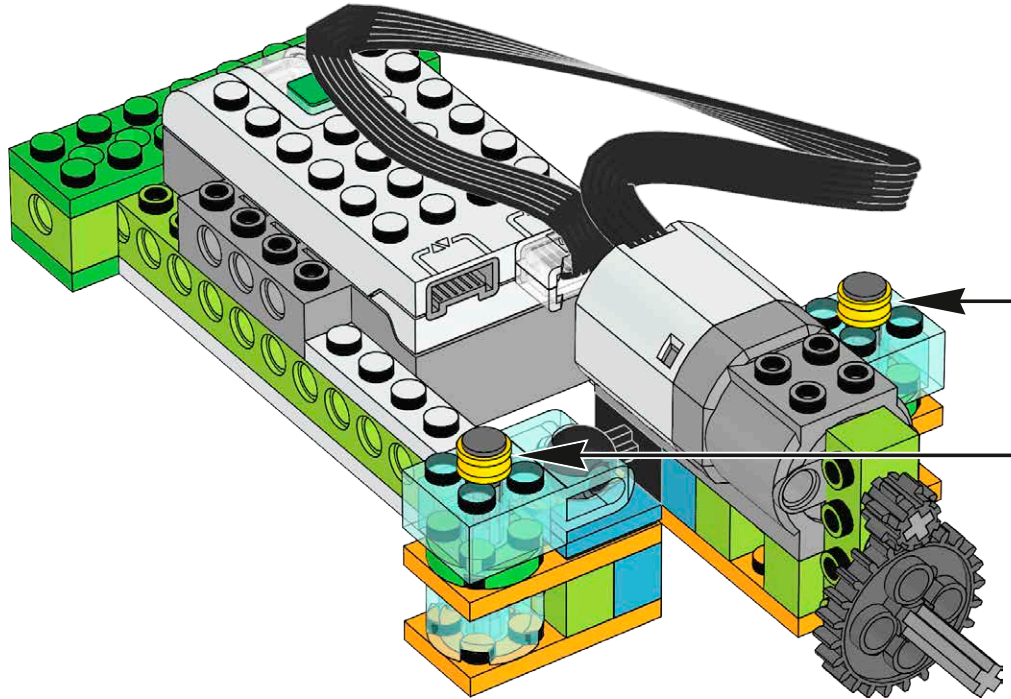


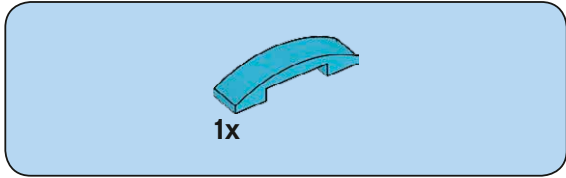
20



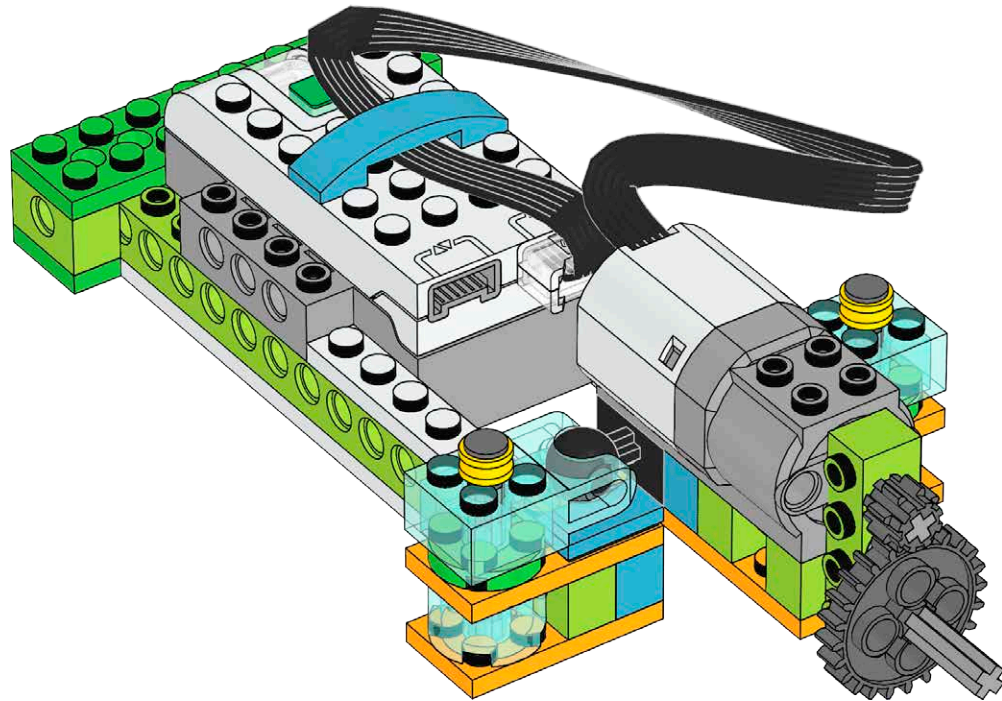


21





22



23

