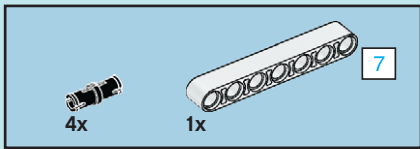
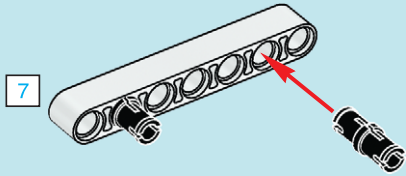
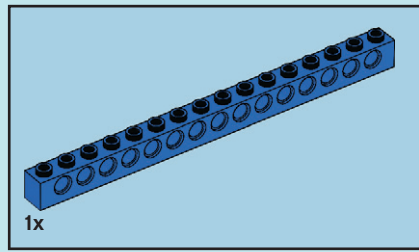
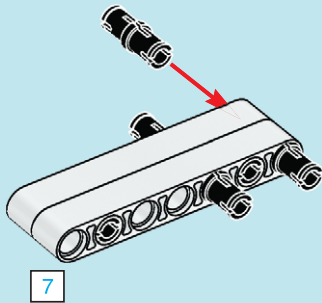


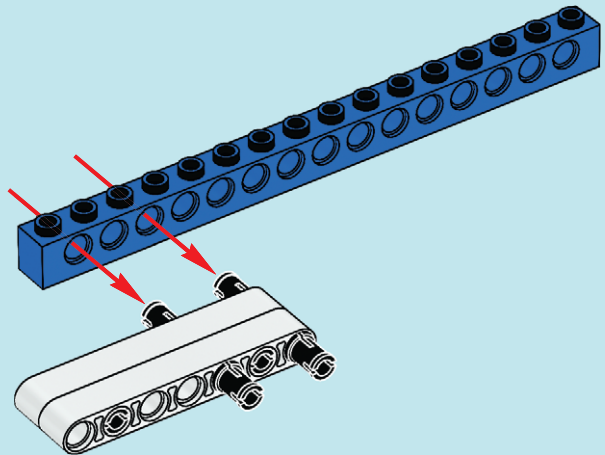
1

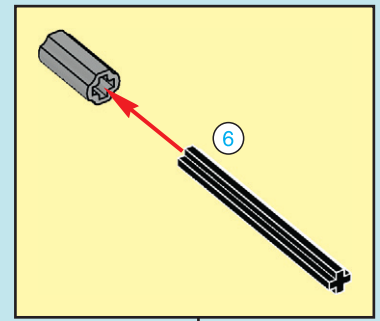
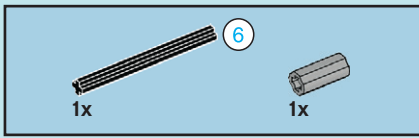


2

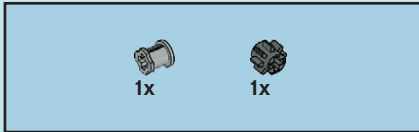
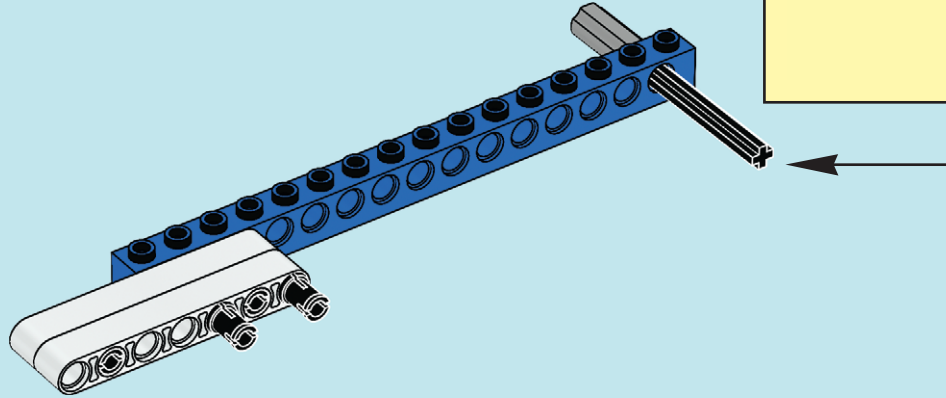


3

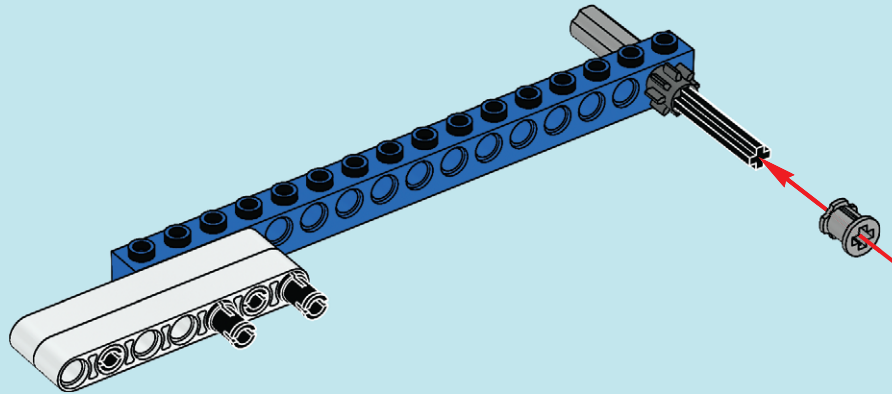


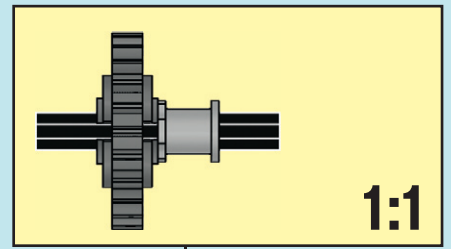
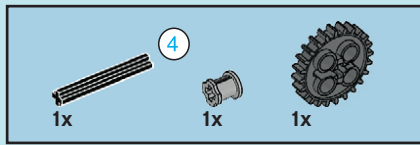


4

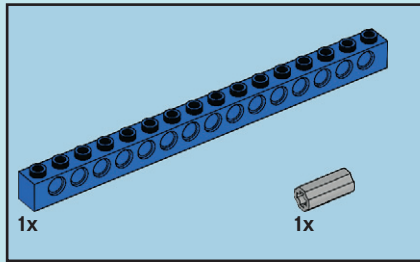
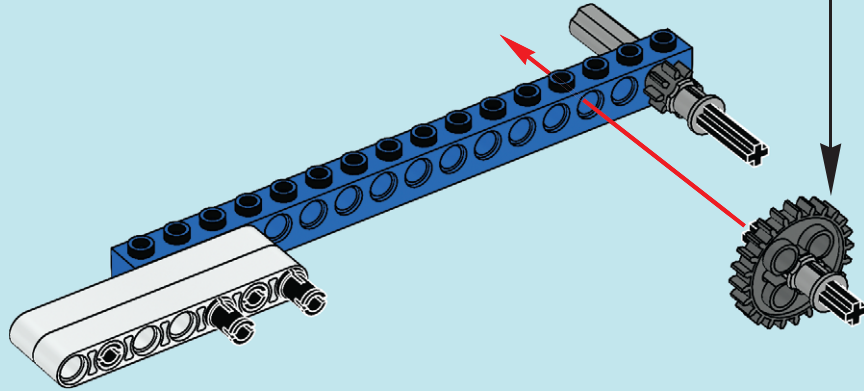


5

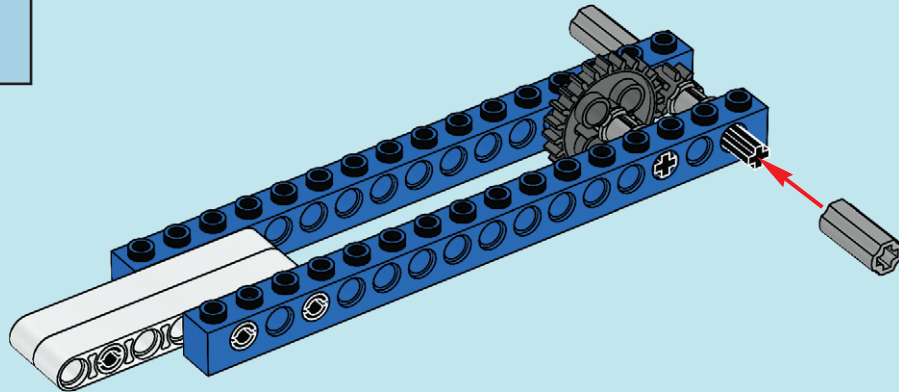




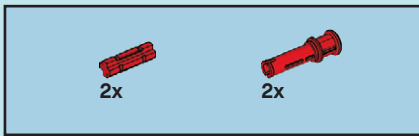
6



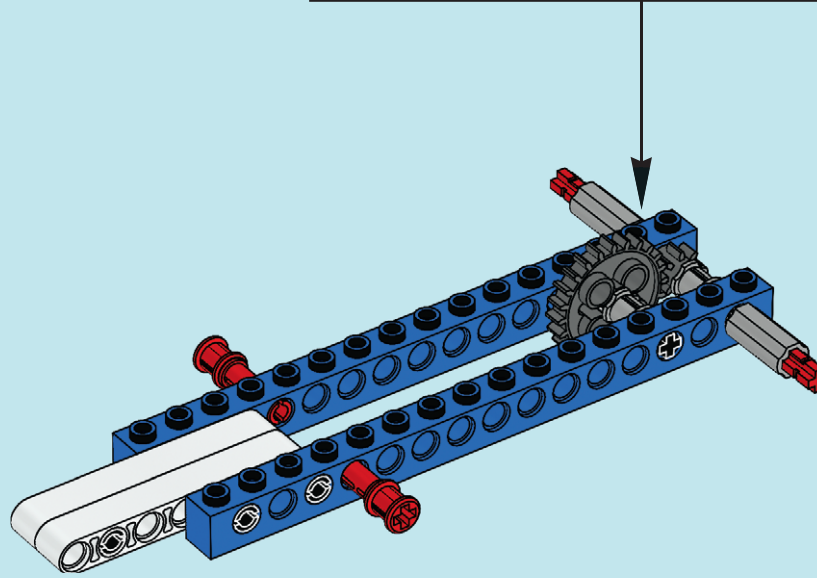
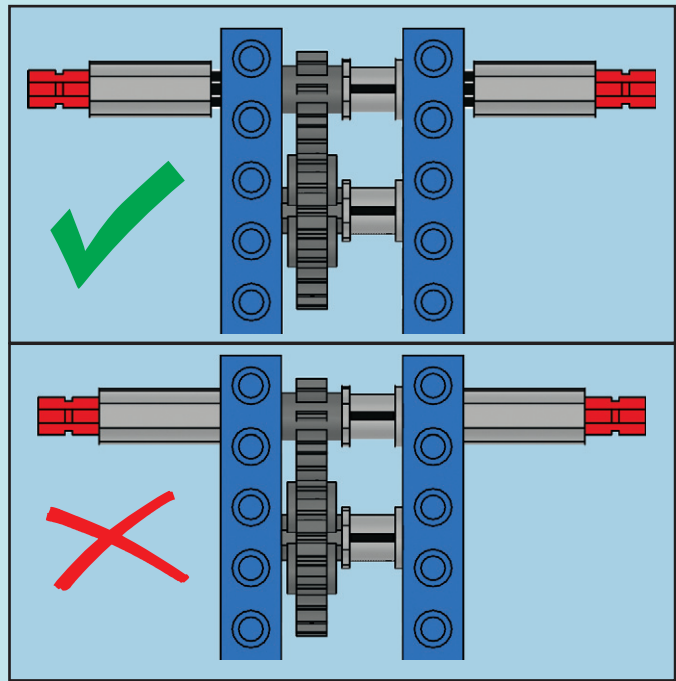
7

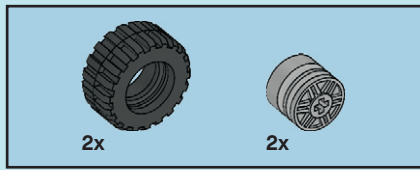




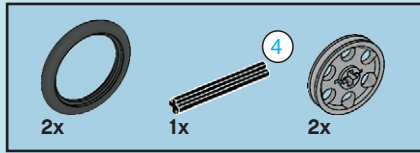
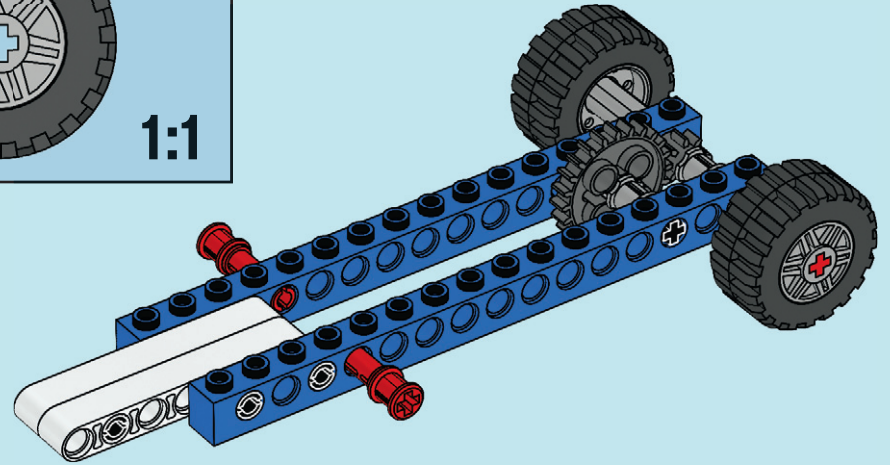
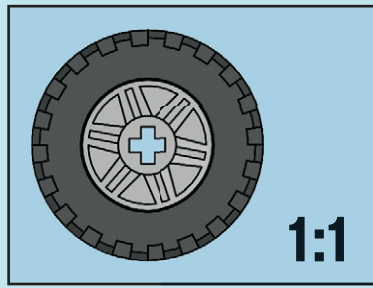


8

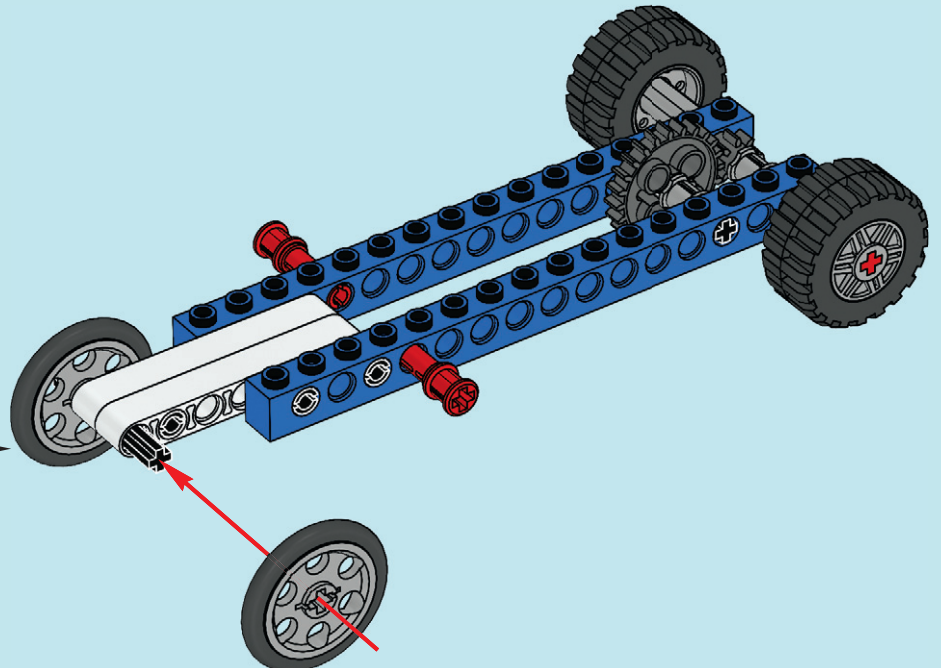
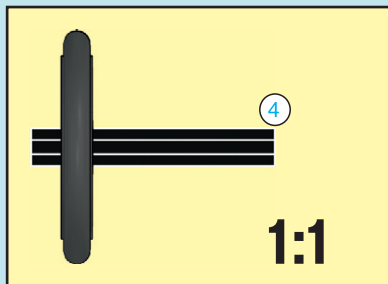




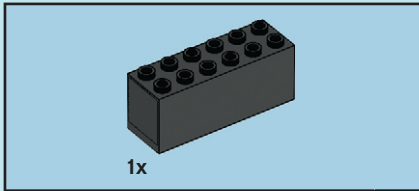
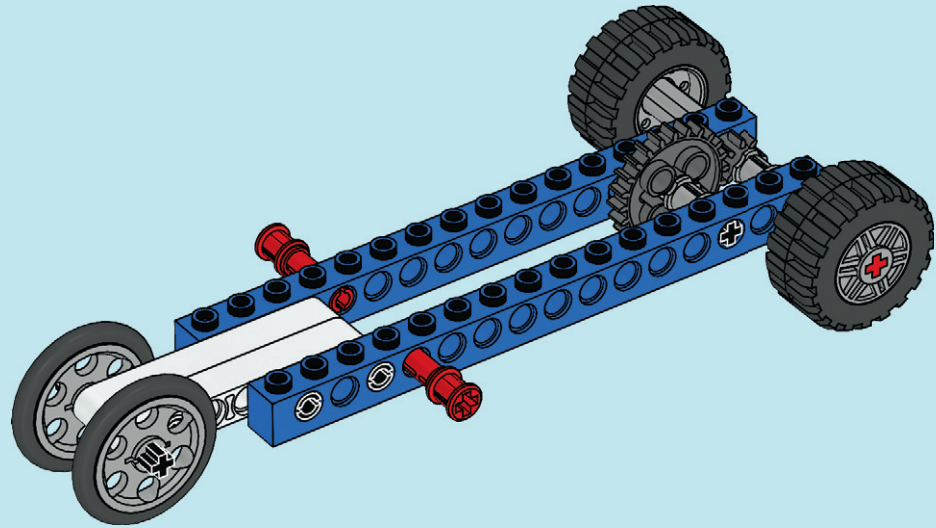
9



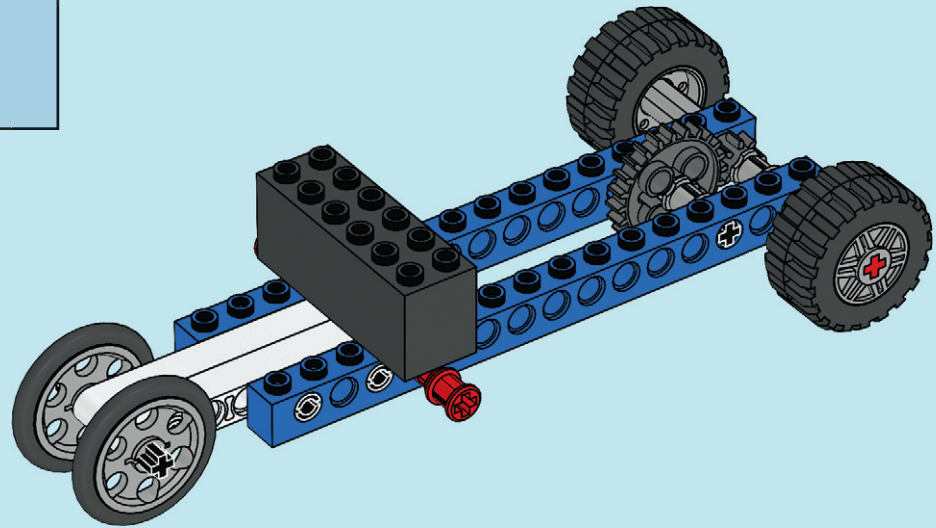
10

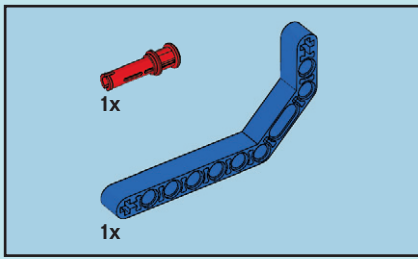


# 11

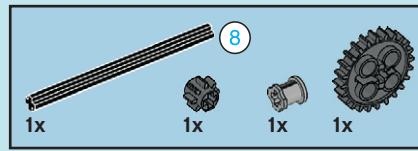
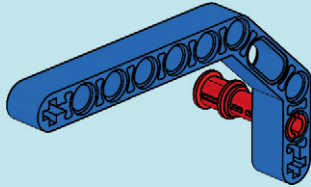


# 12

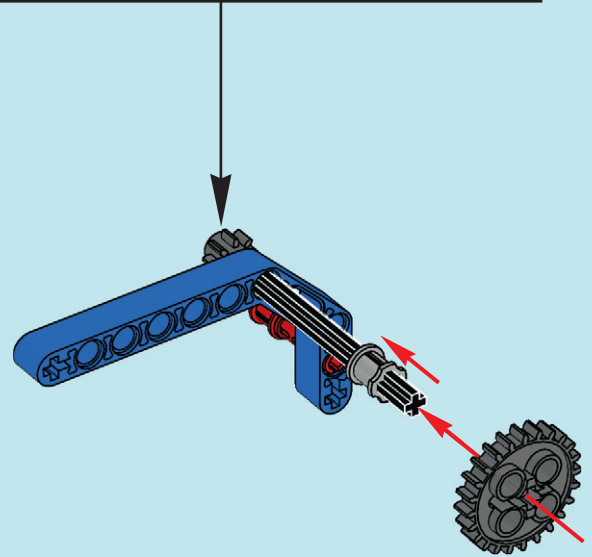
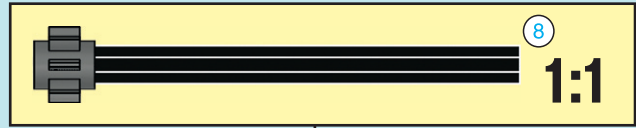


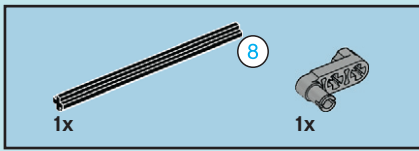


13

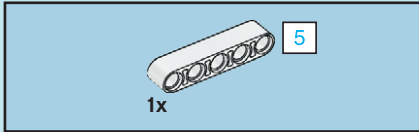
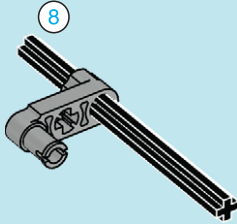


14

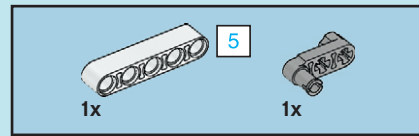
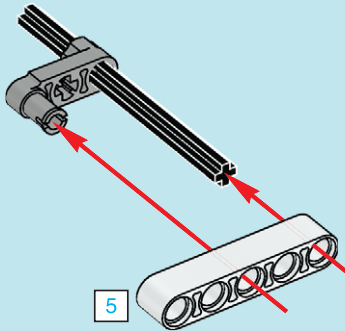




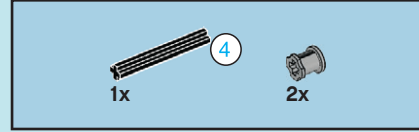
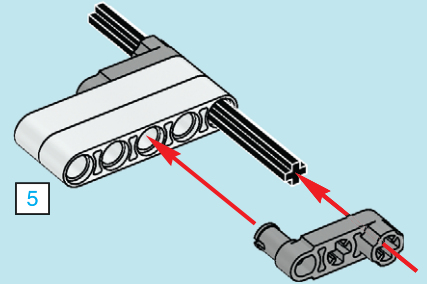
15



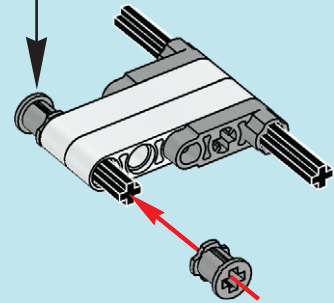
16

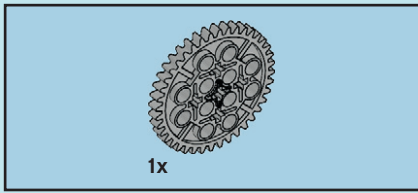


17

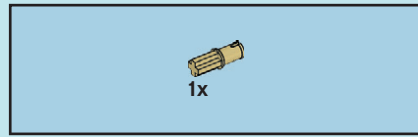
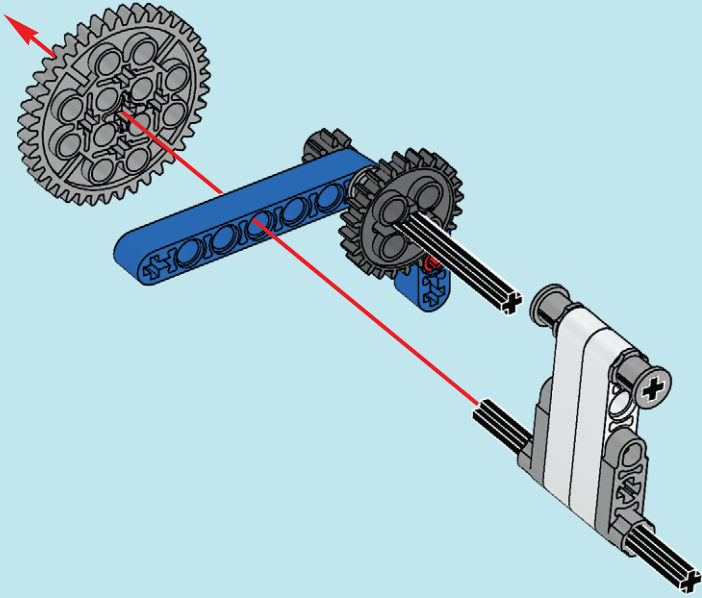


18

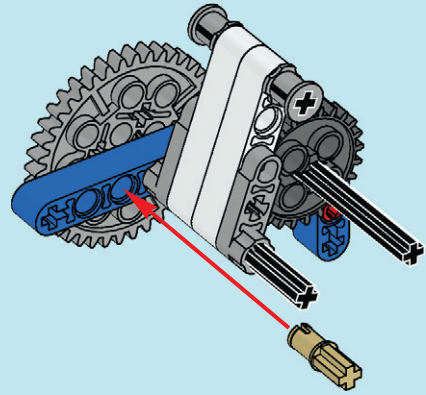


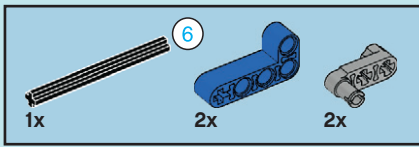


19

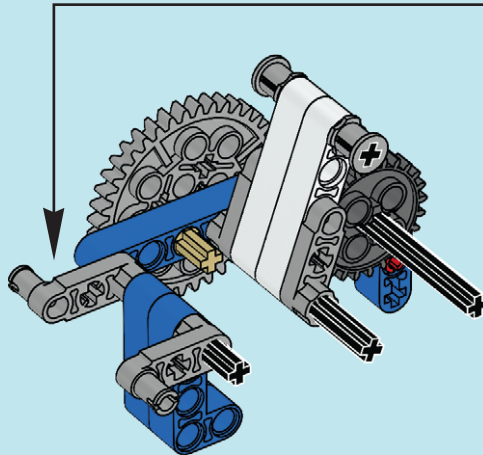
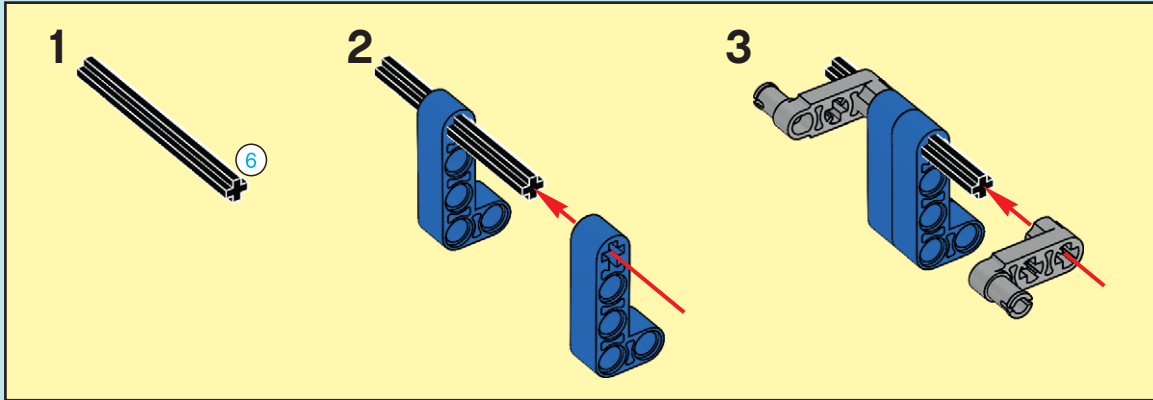


20

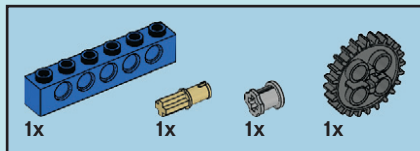




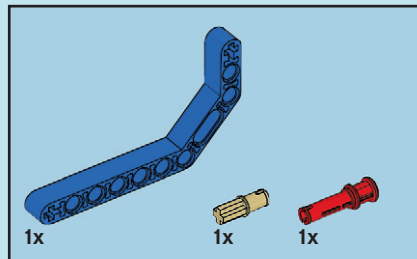
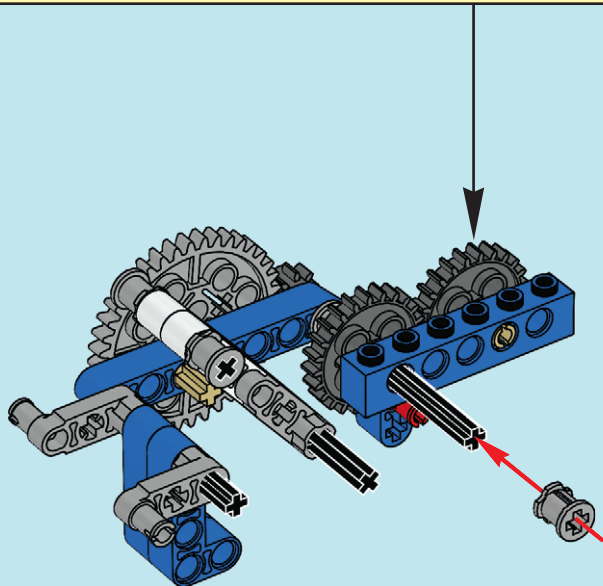
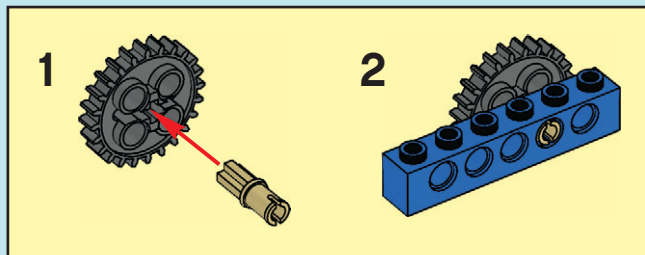
# 21



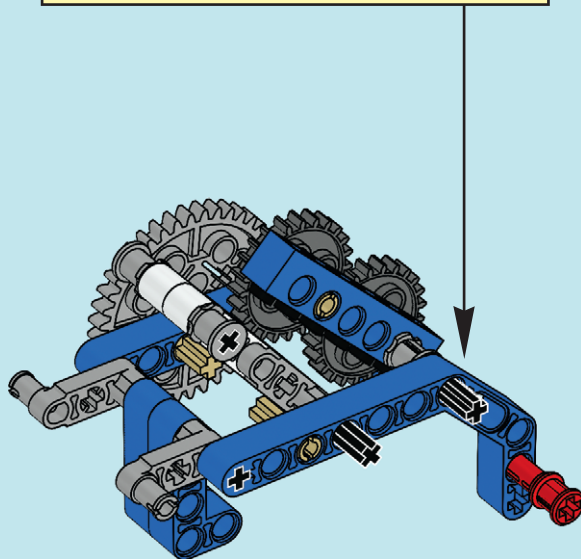
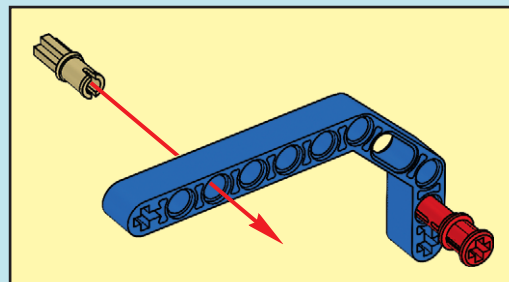




# 22



# 23

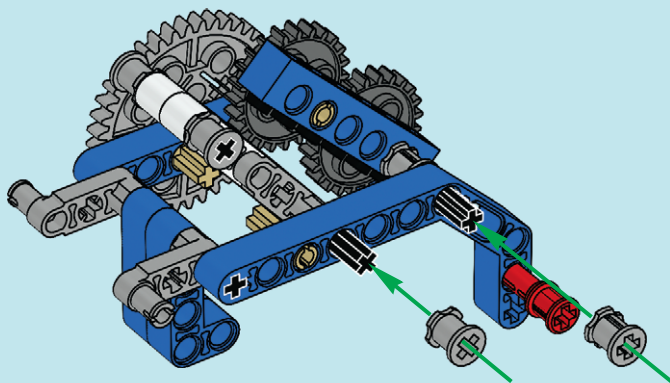




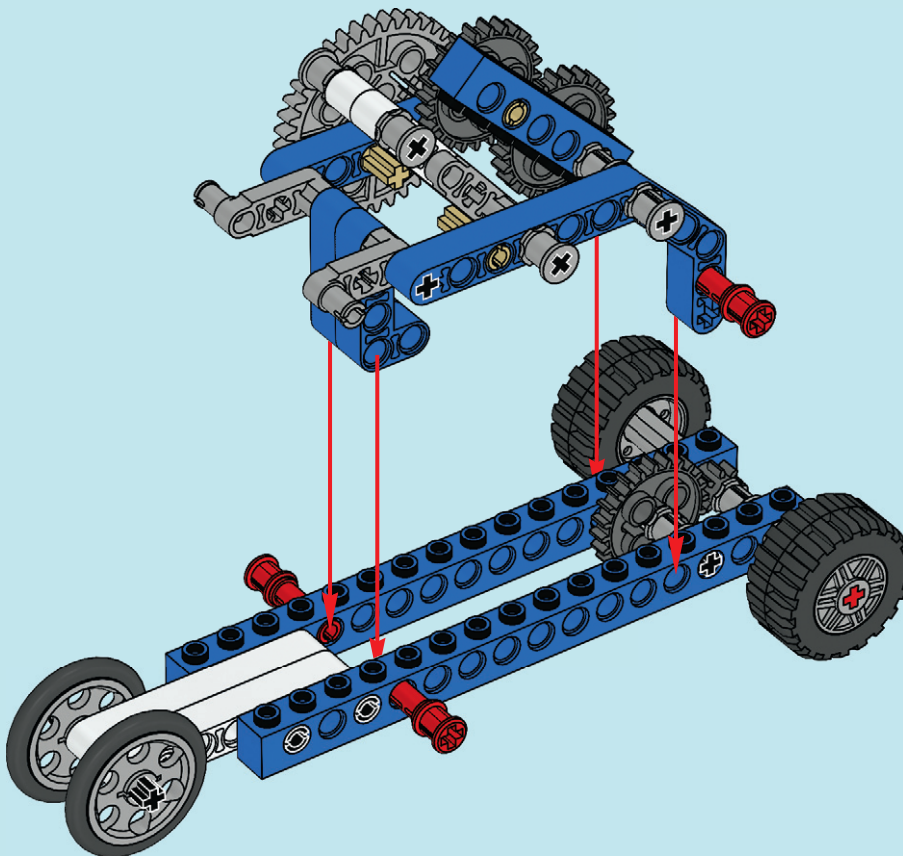
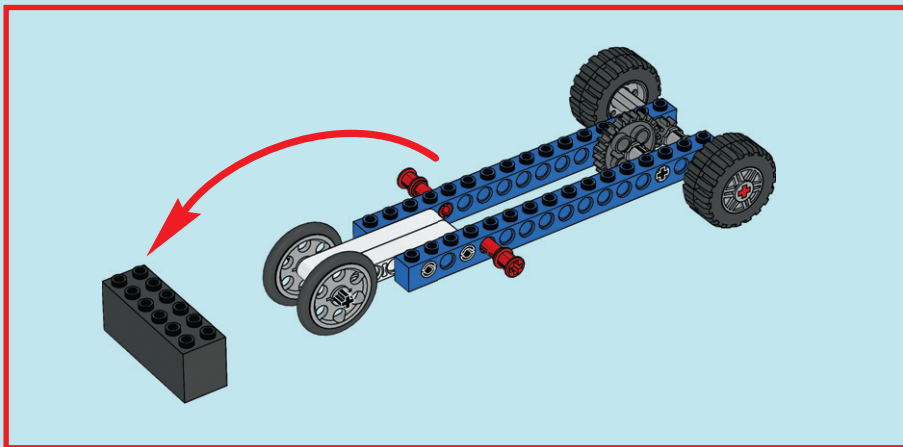


2x

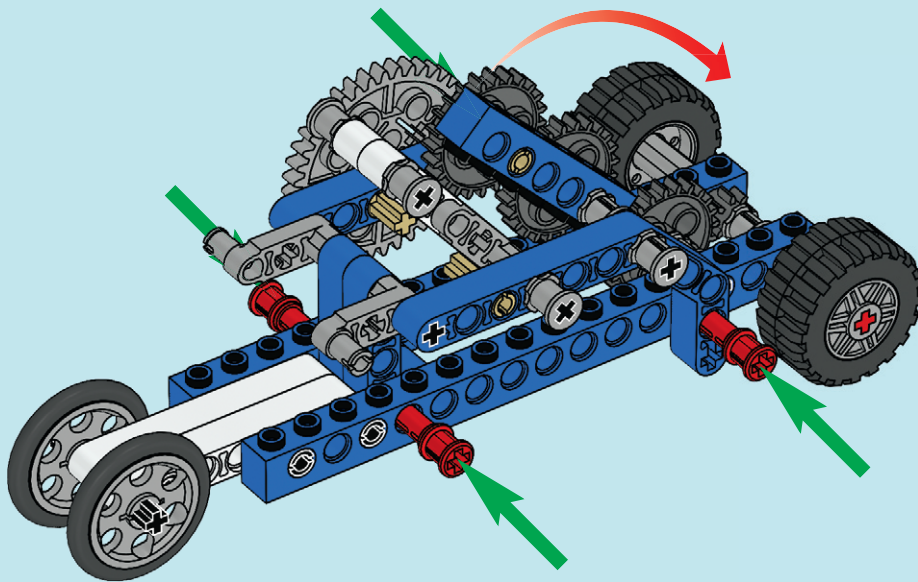
# 24



25



26





2x

# 27

