

**45300**

LEGO and the LEGO logo are trademarks of the/son/ des marques de commerce  
du/son marcas registradas de LEGO Group. ©2015 The LEGO Group. 088360.

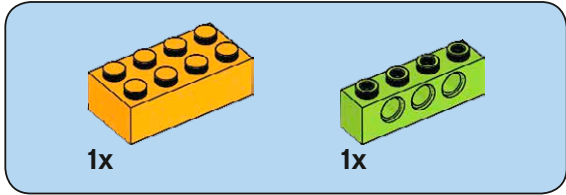


**45300**

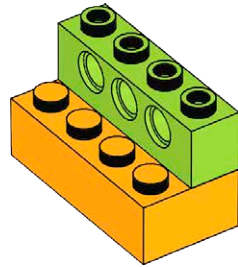
LEGO and the LEGO logo are trademarks of the/son des marques de commerce  
du/son marcas registradas de LEGO Group. ©2015 The LEGO Group. 088360.

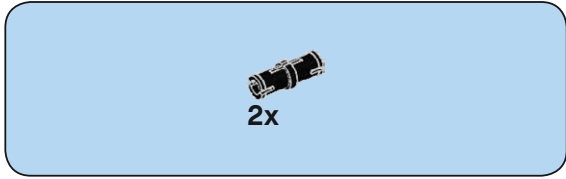


**education**

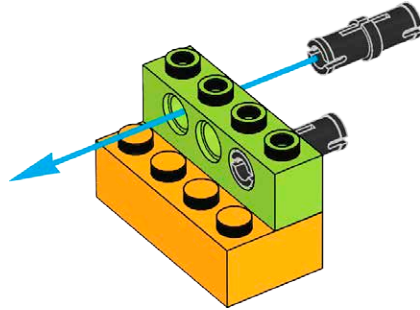


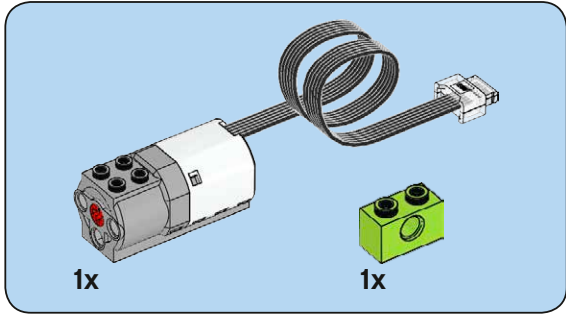
1



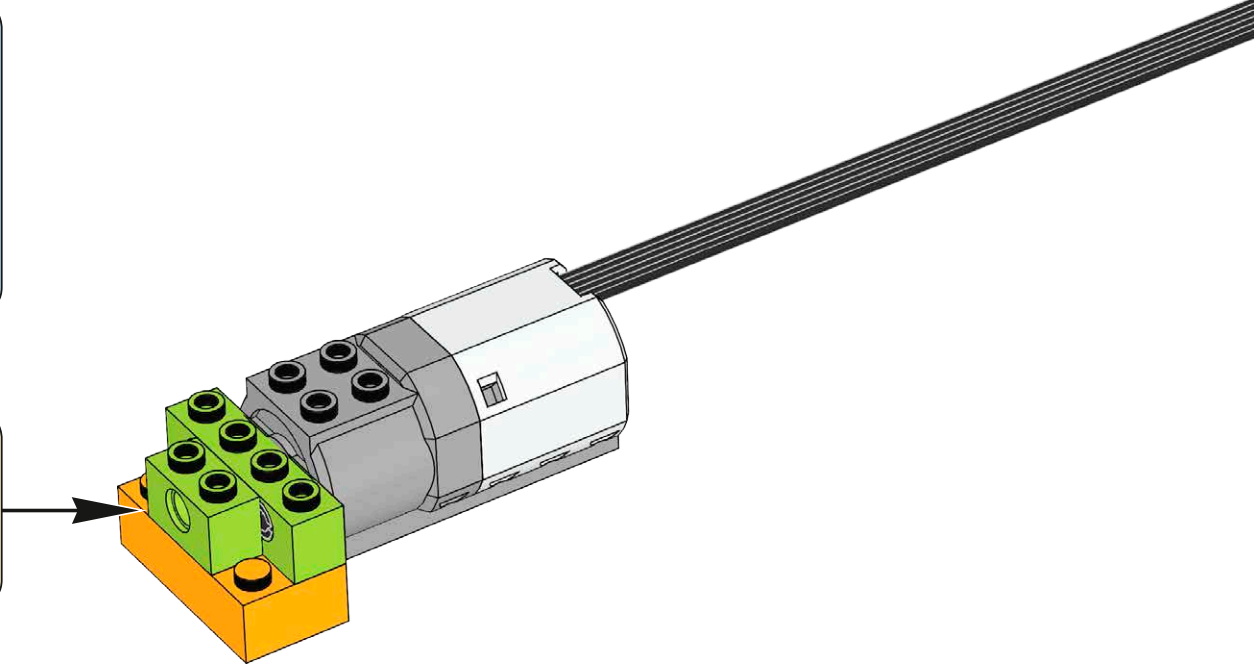
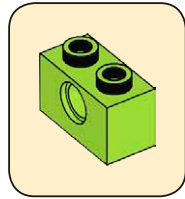


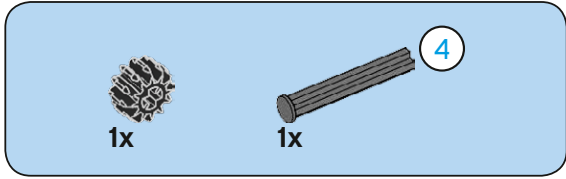
2



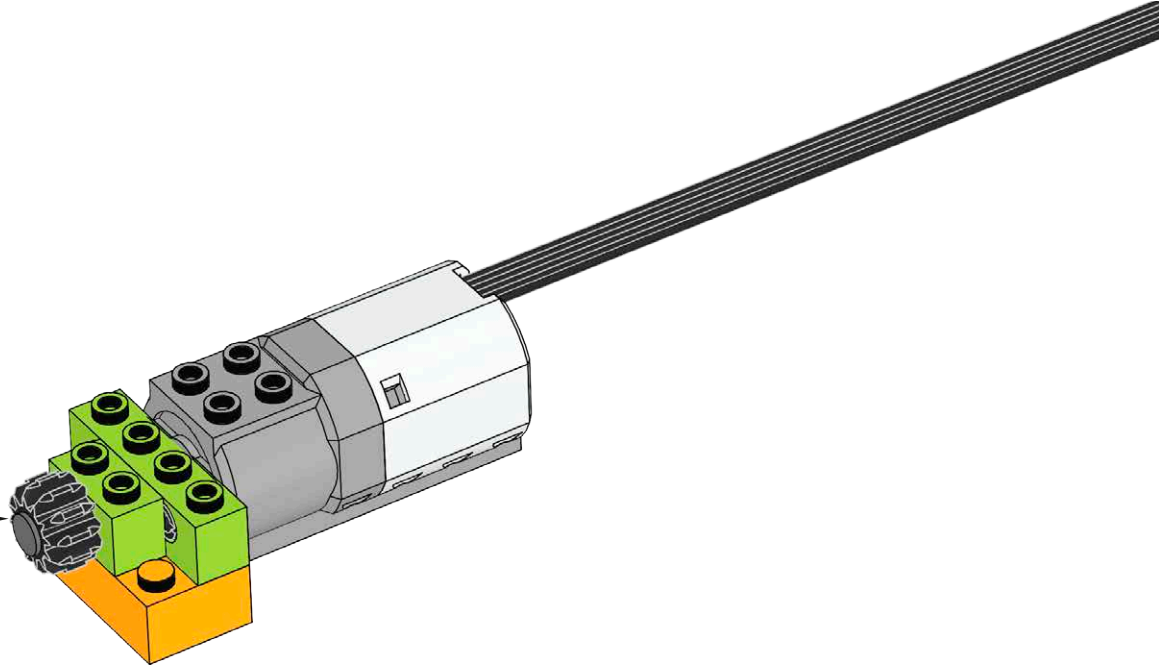
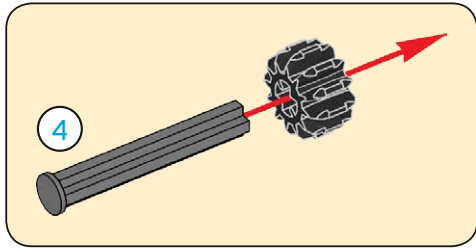


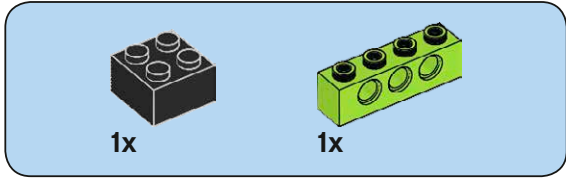
**3**



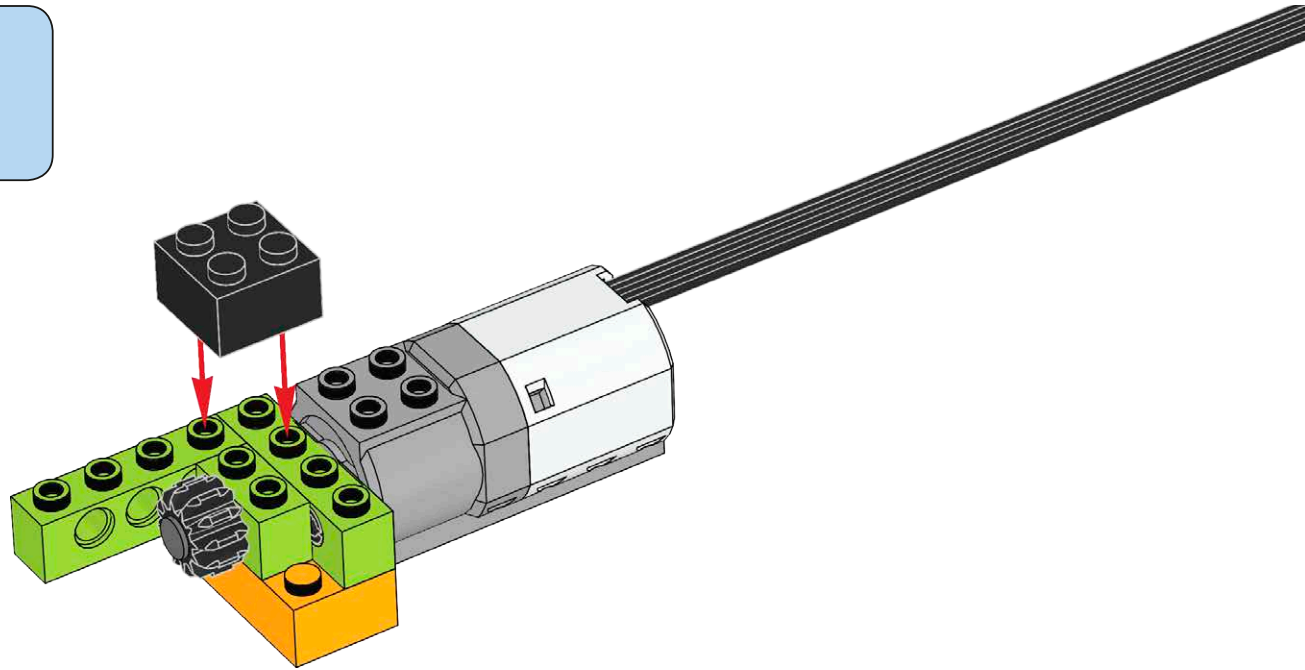


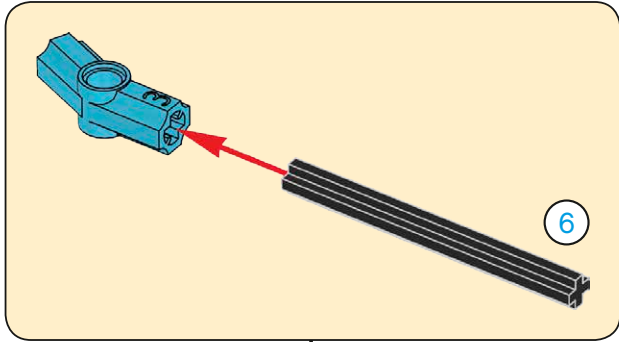
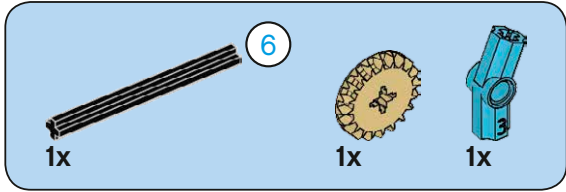
4



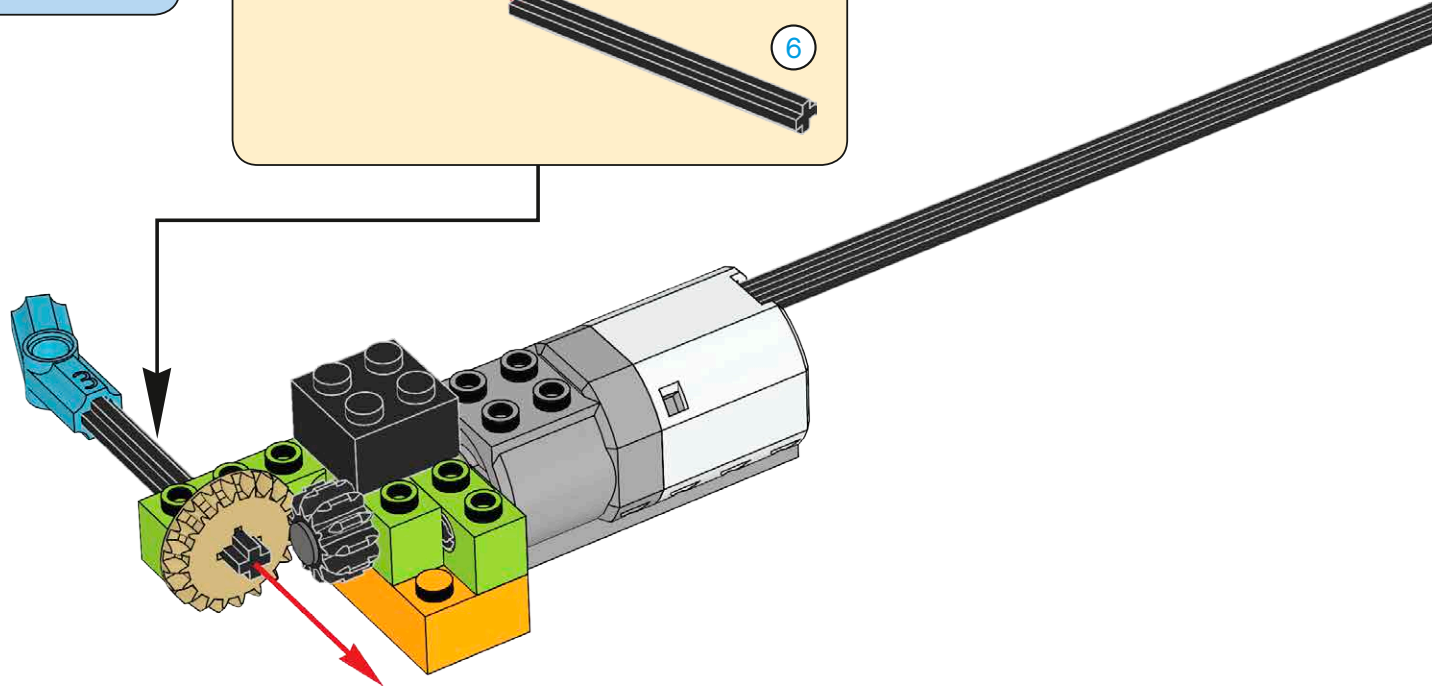


5

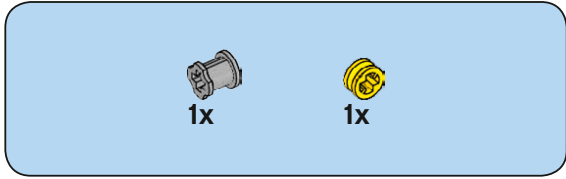




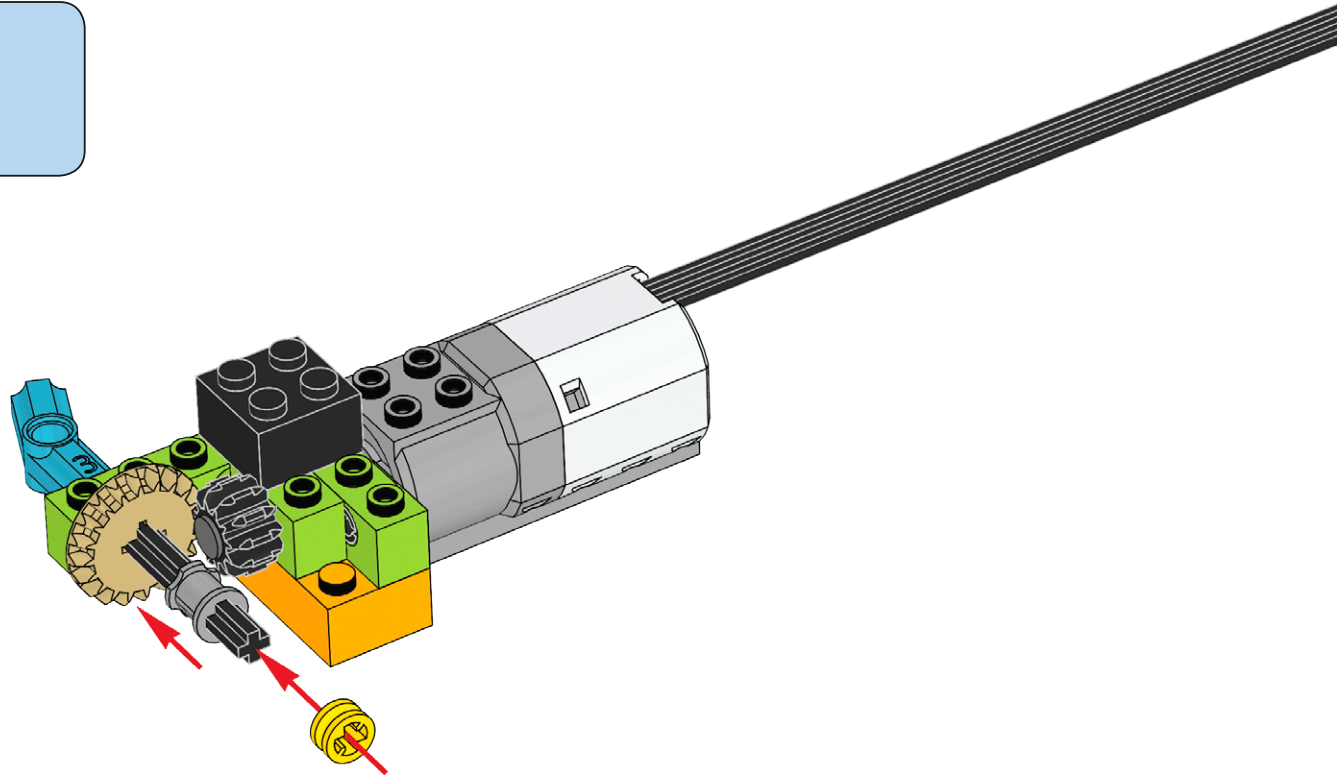
6

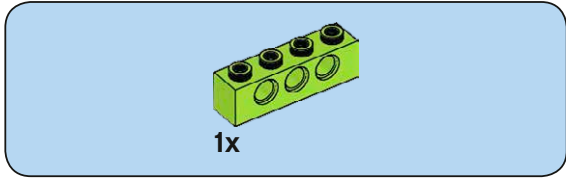




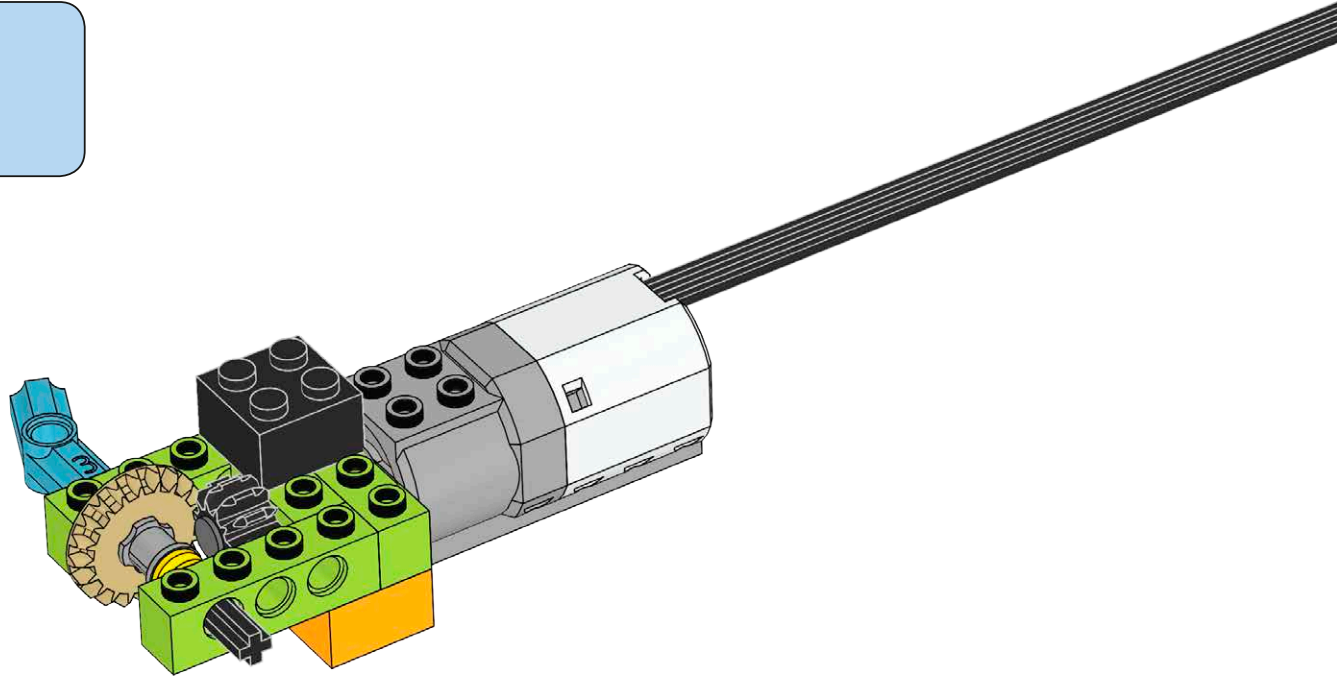


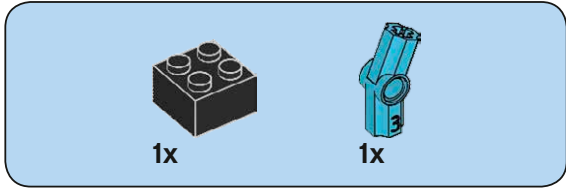
7



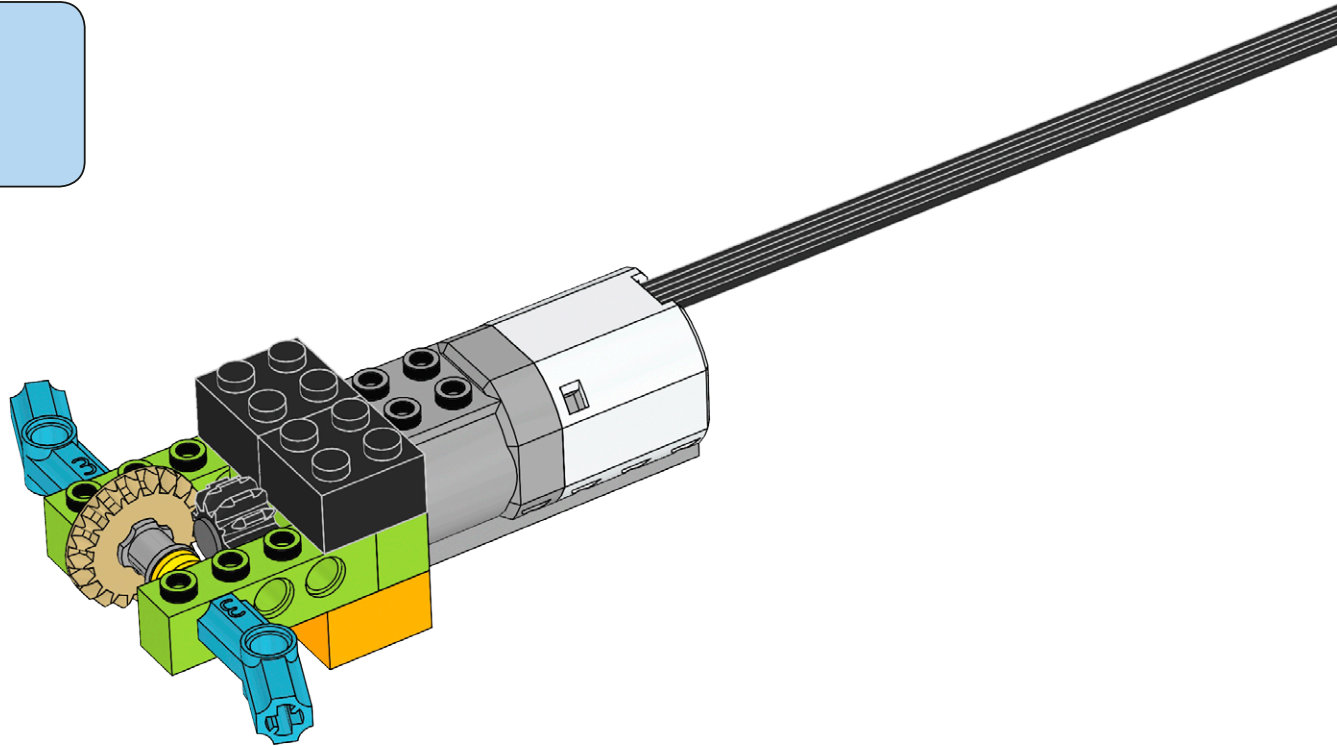


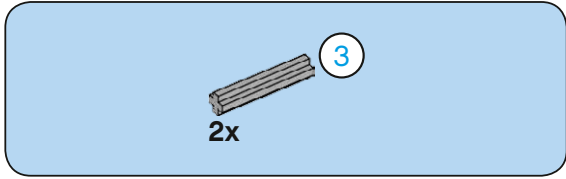
8



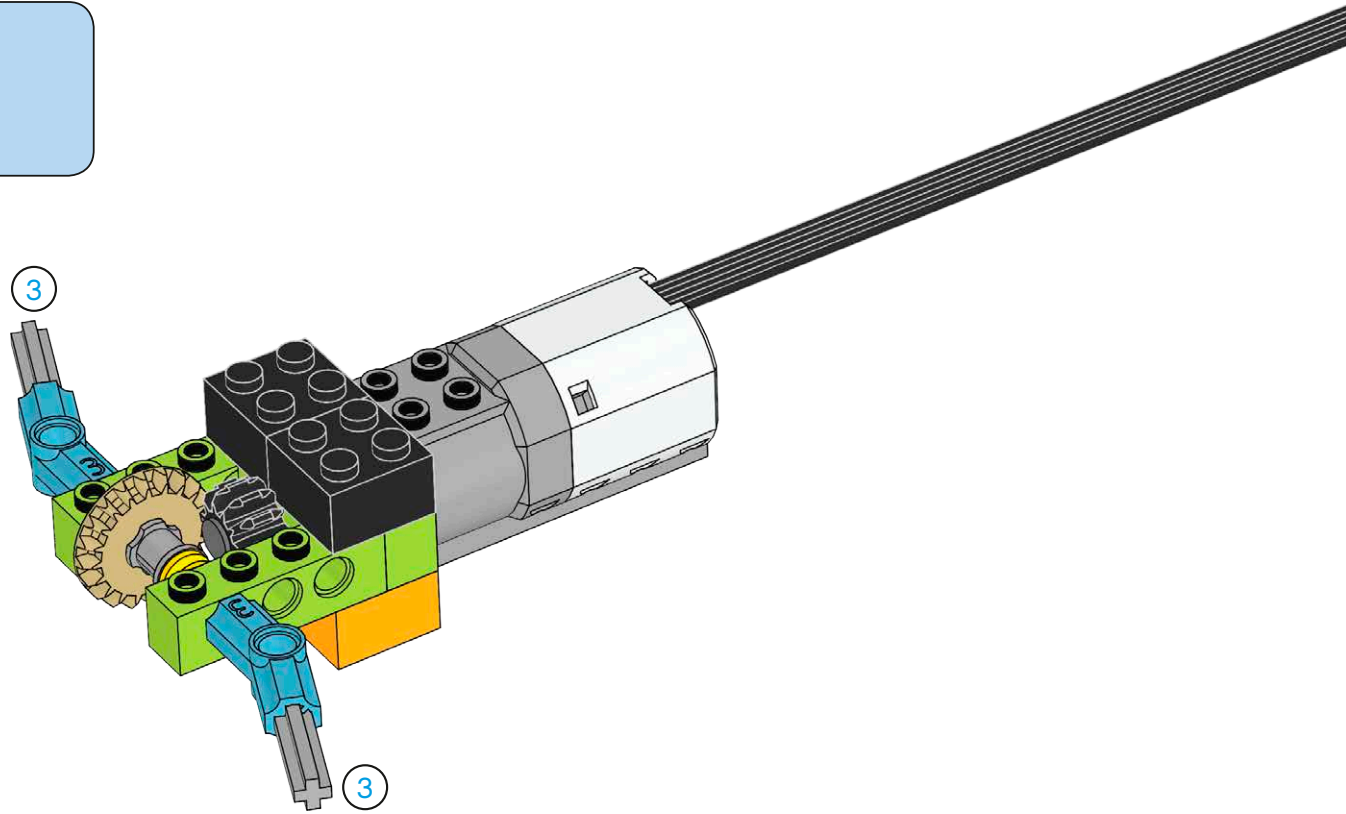


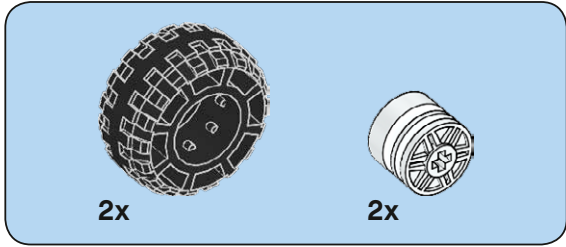
9



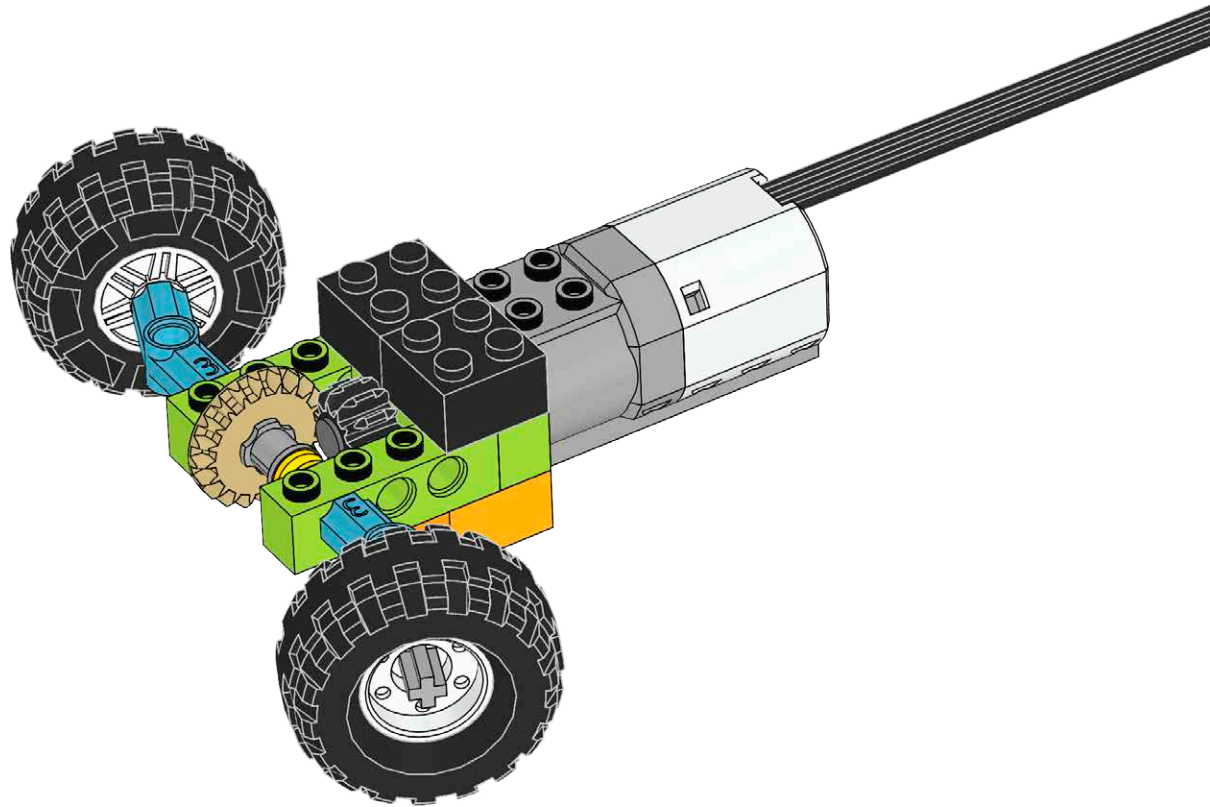


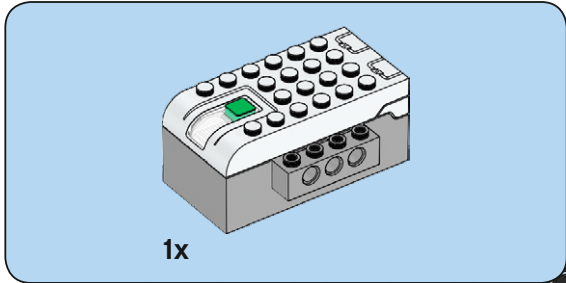
10



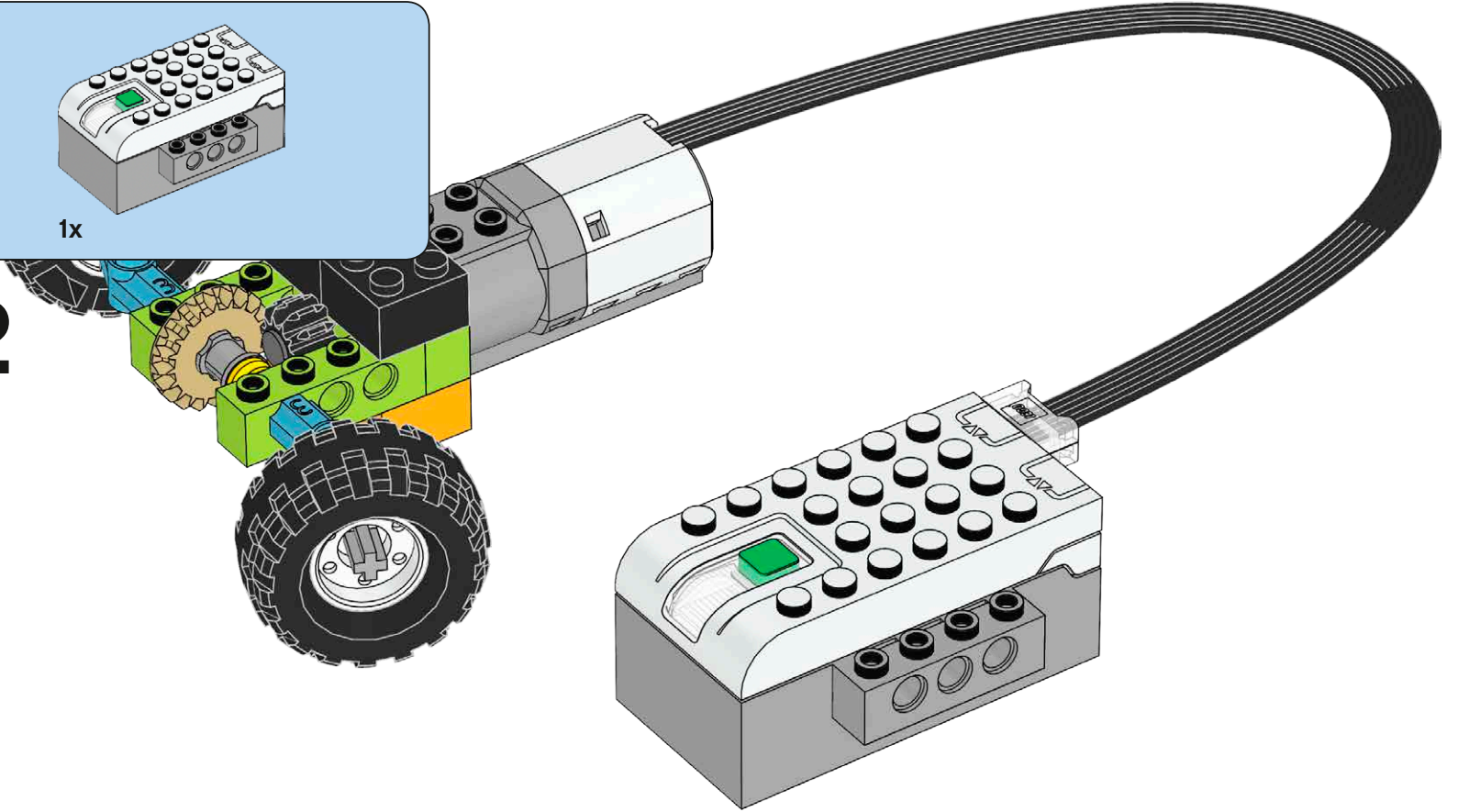


11





12



13

