

45300

LEGO and the LEGO logo are trademarks of the/son/ des marques de commerce
du/son marcas registradas de LEGO Group. ©2015 The LEGO Group. 088360.

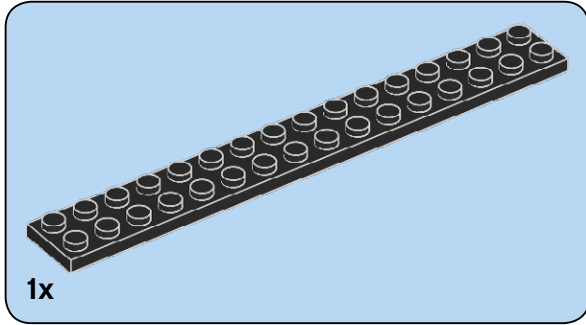


45300

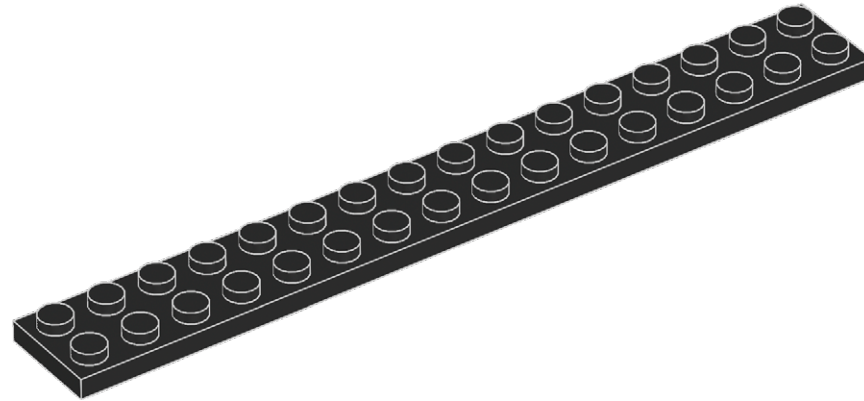
LEGO and the LEGO logo are trademarks of the/son des marques de commerce
du/son marcas registradas de LEGO Group. ©2015 The LEGO Group. 088360.

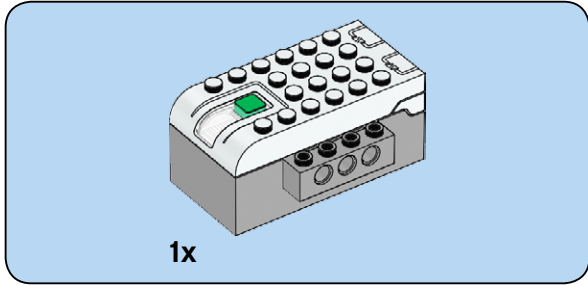


education

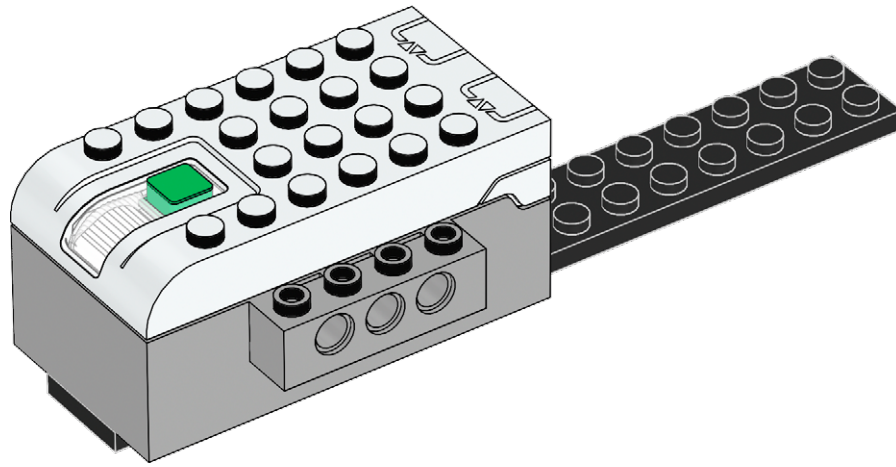


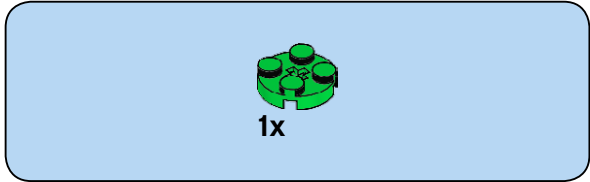
1



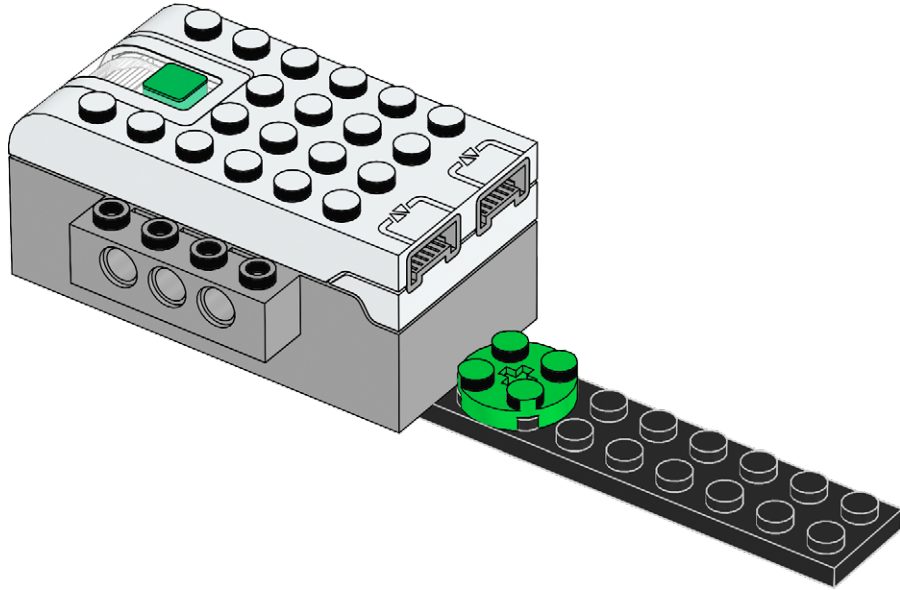


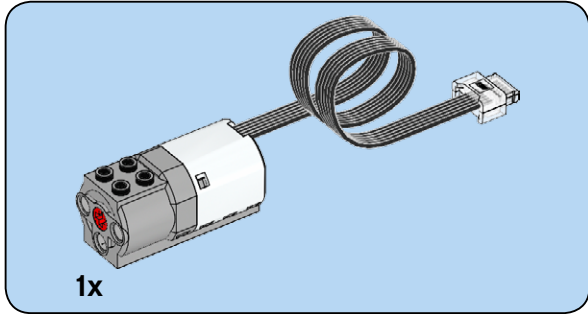
2



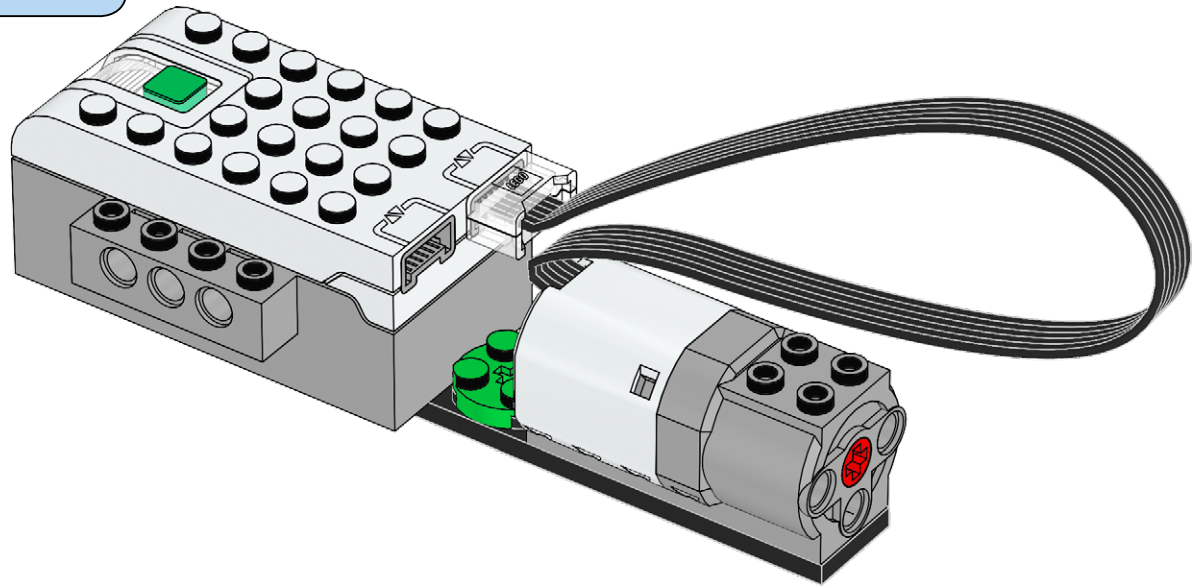


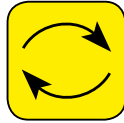
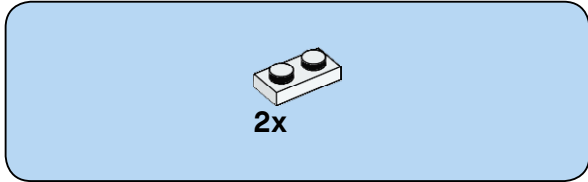
3



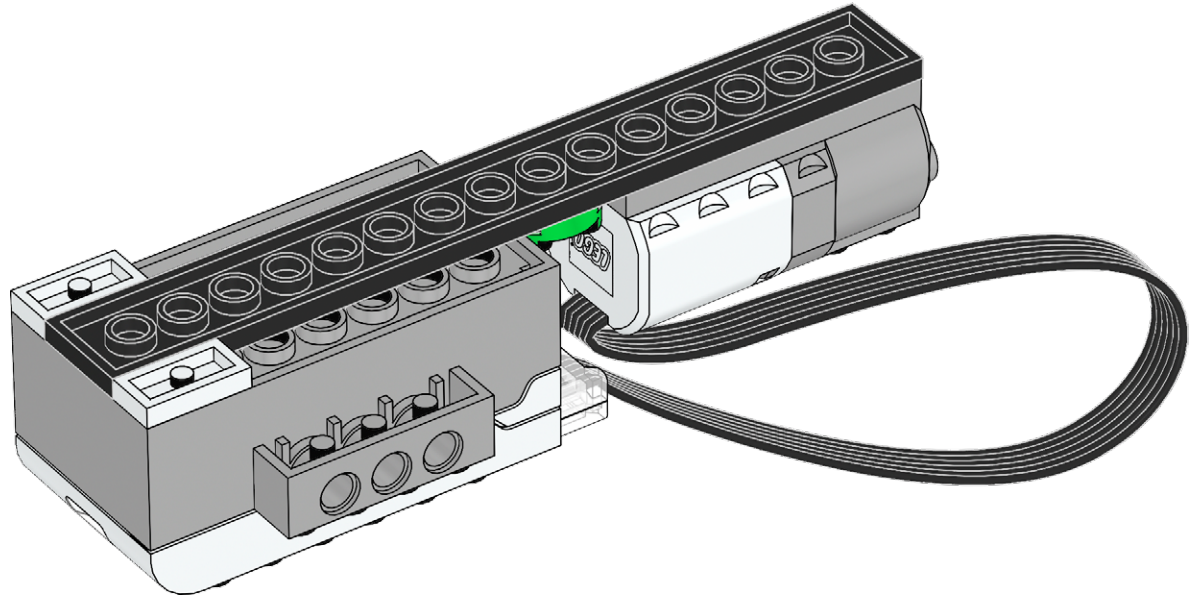


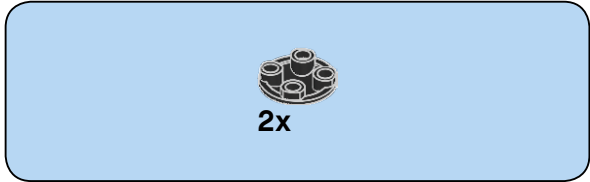
4



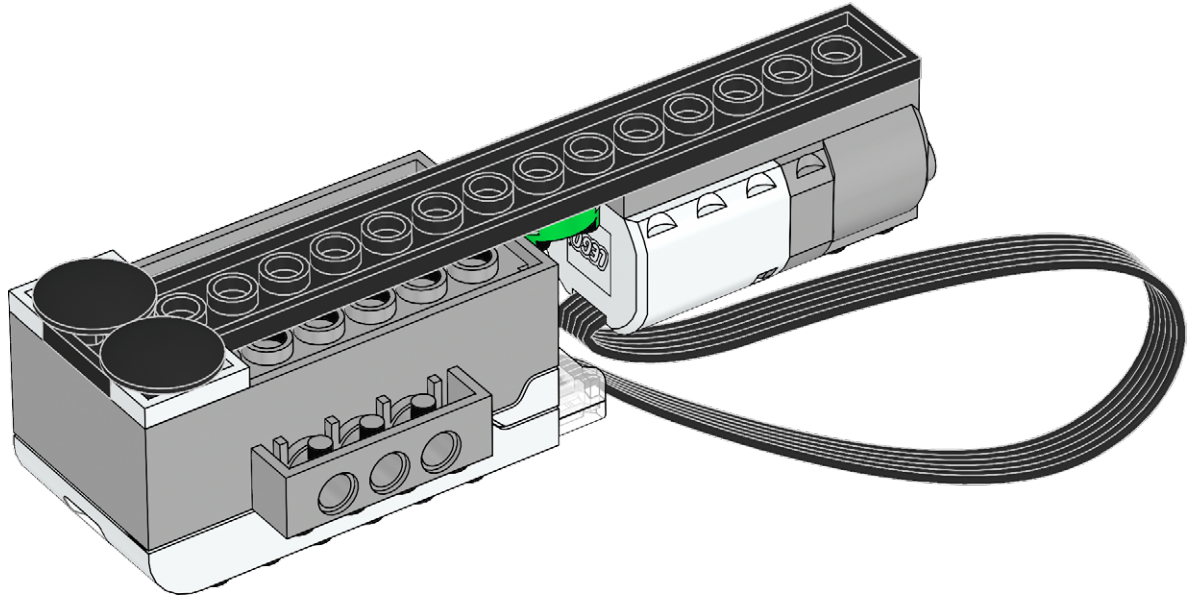


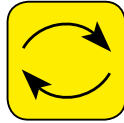
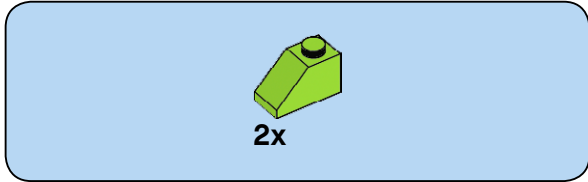
5



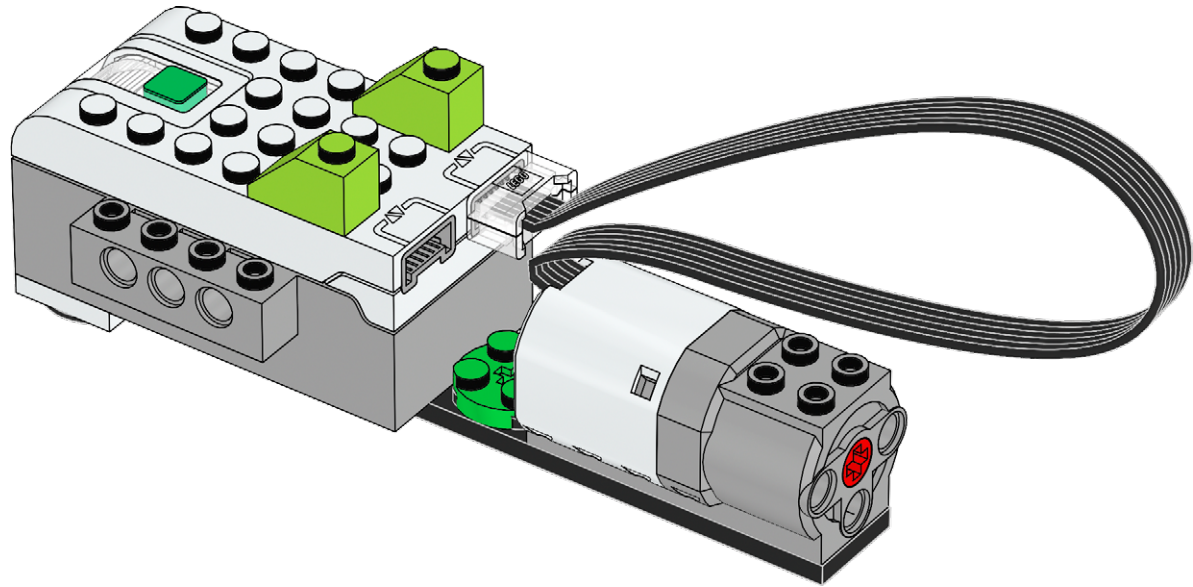


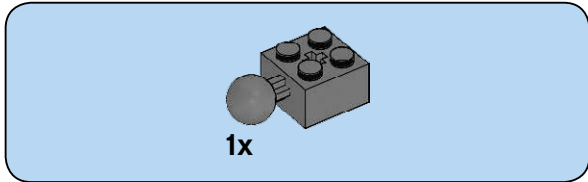
6



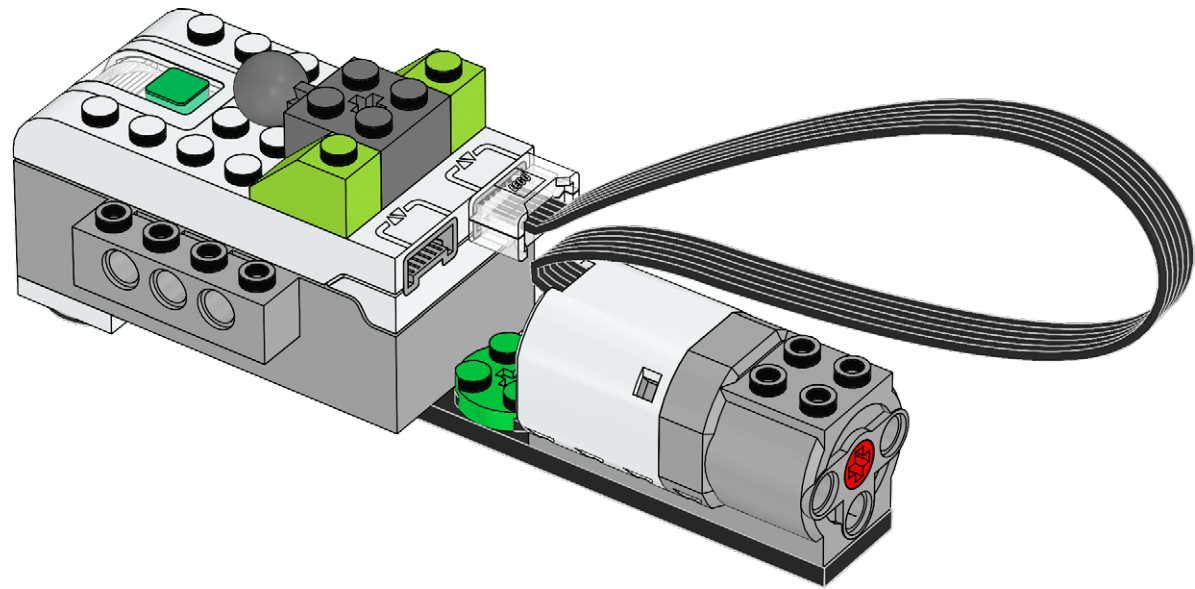


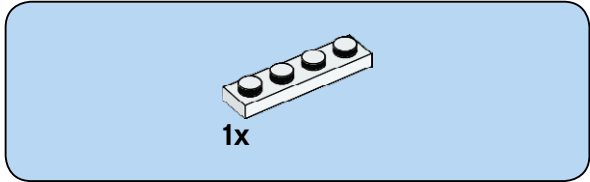
7



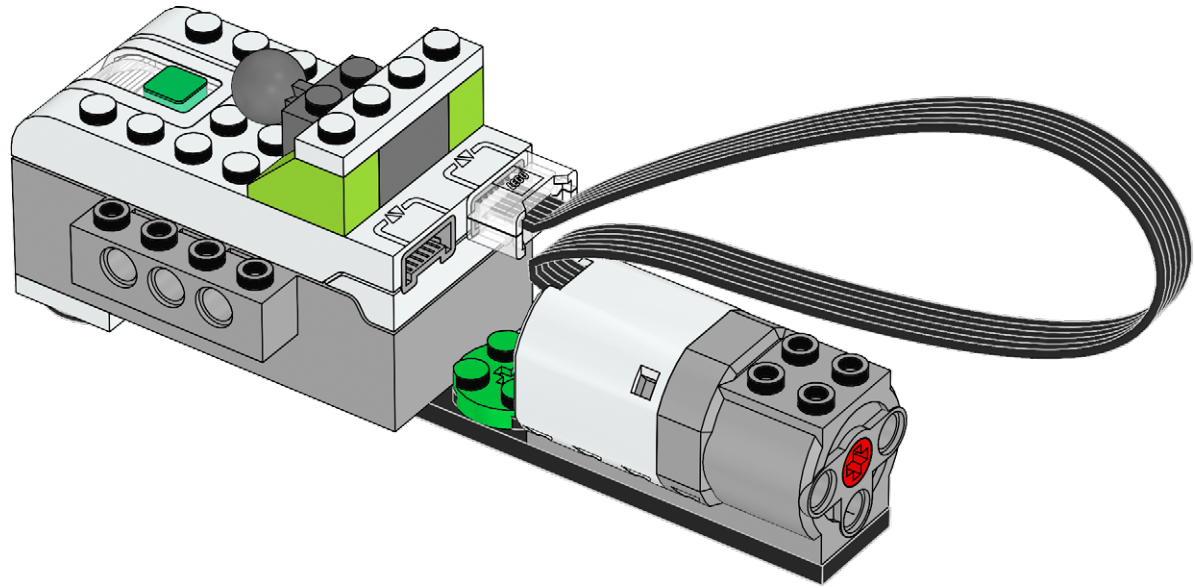


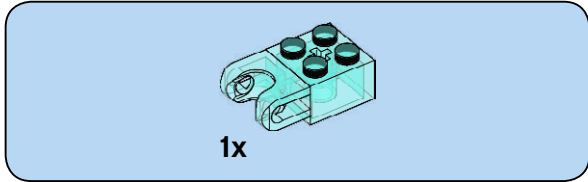
8



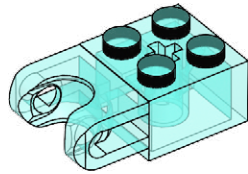


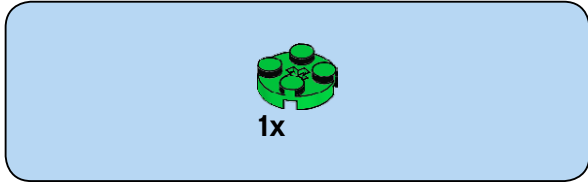
9



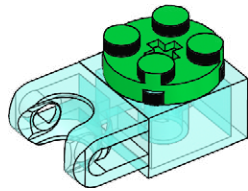


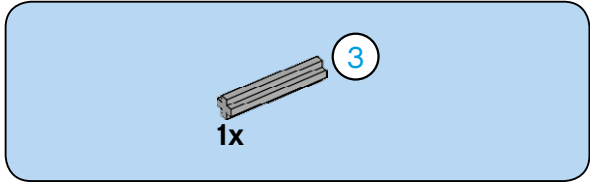
10



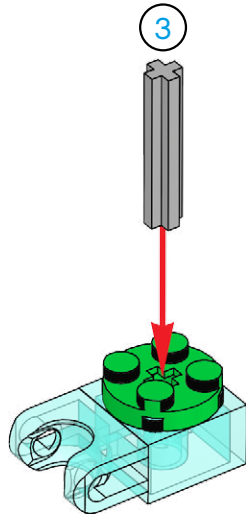


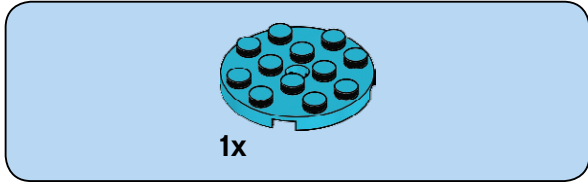
11



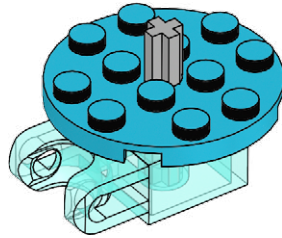


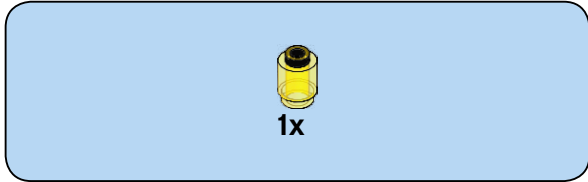
12



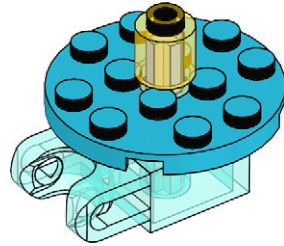


13

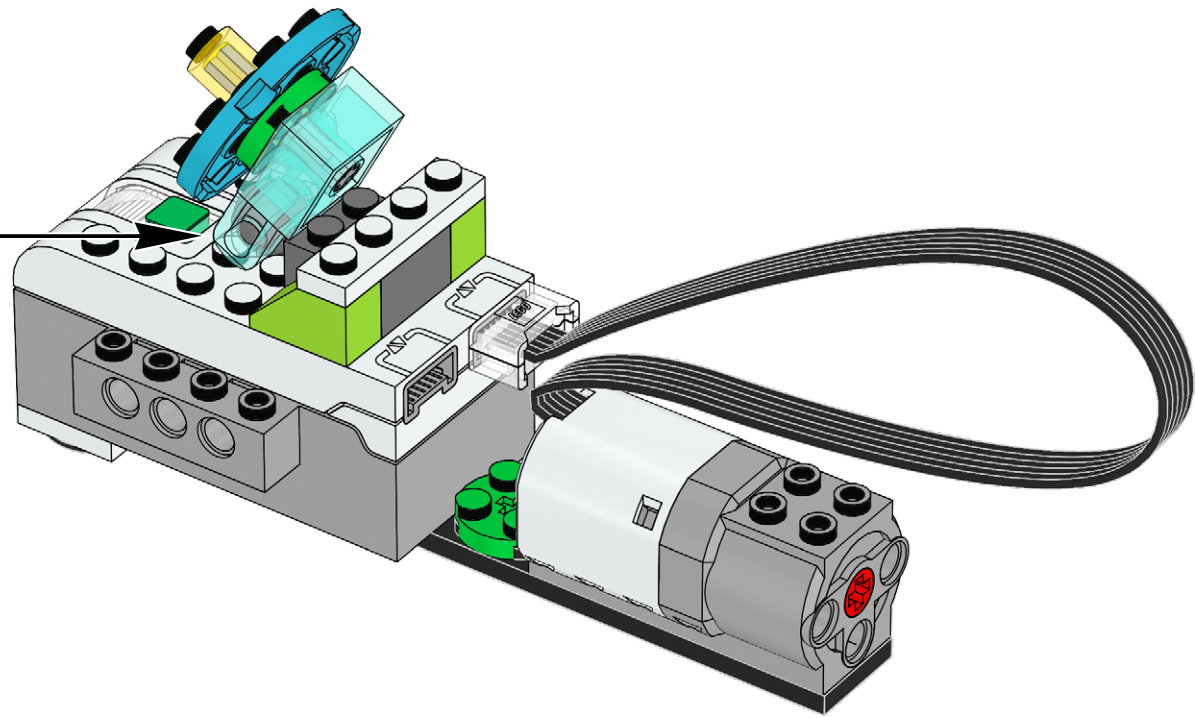




14



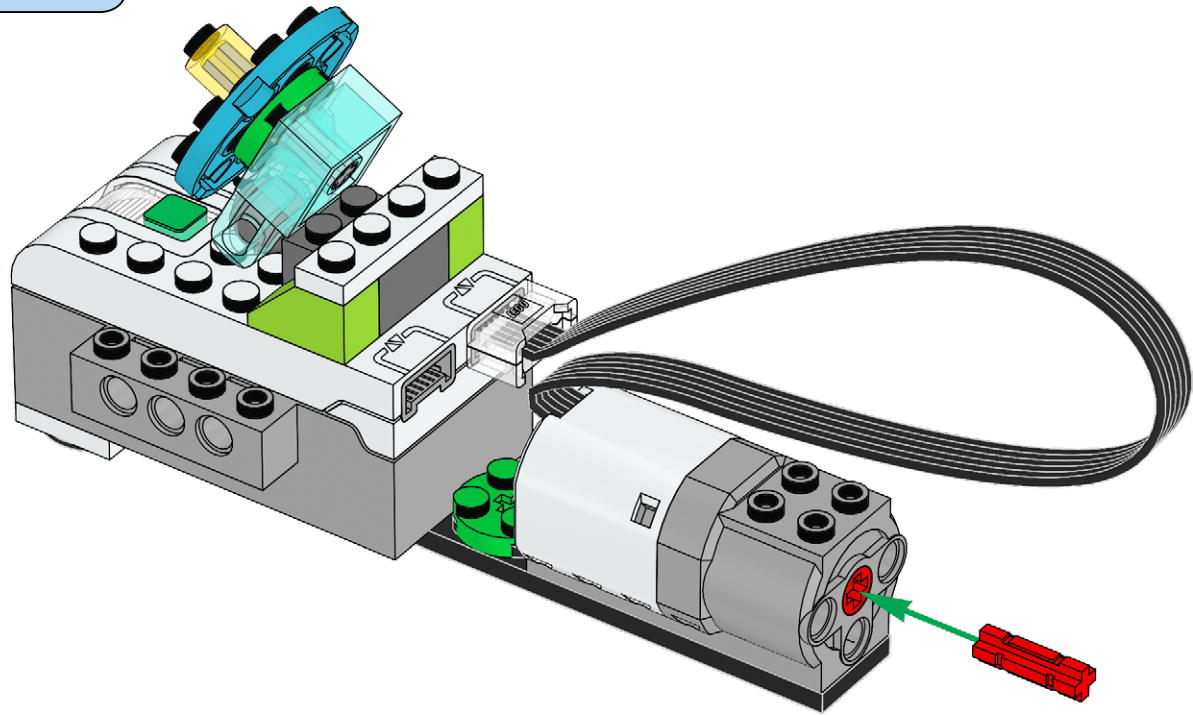
15

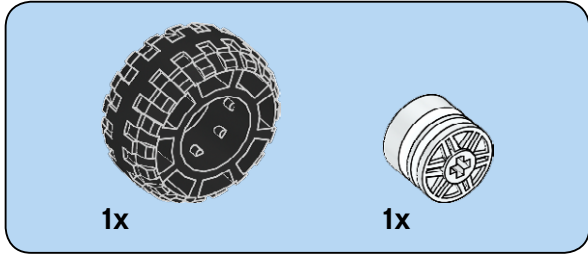




1x

16





17

