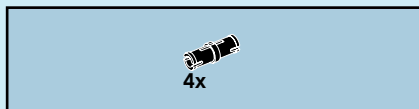
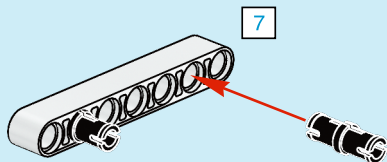
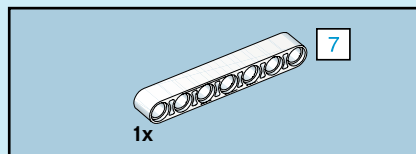
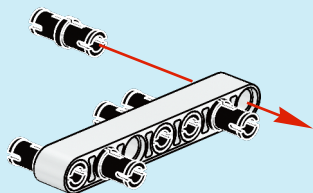


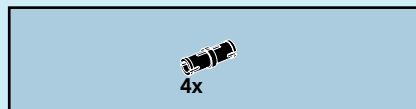
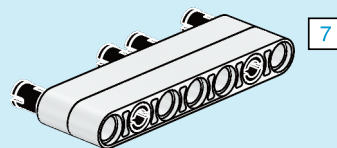
1



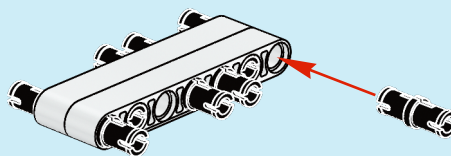
2

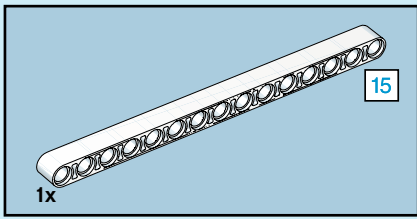


3

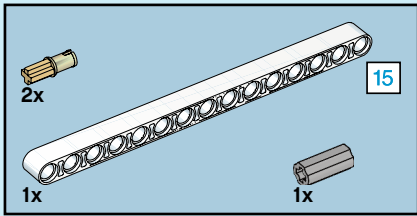
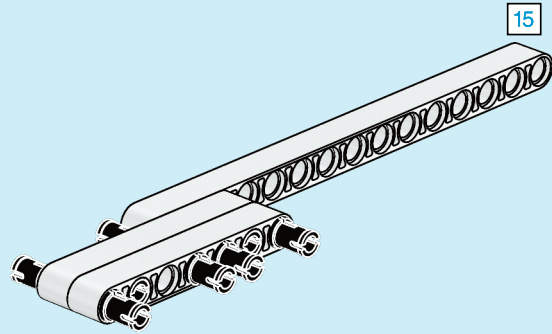


4

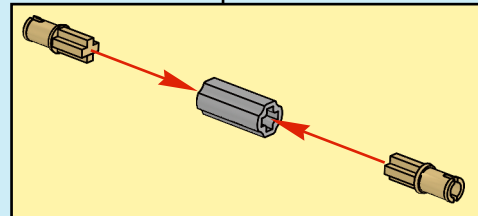
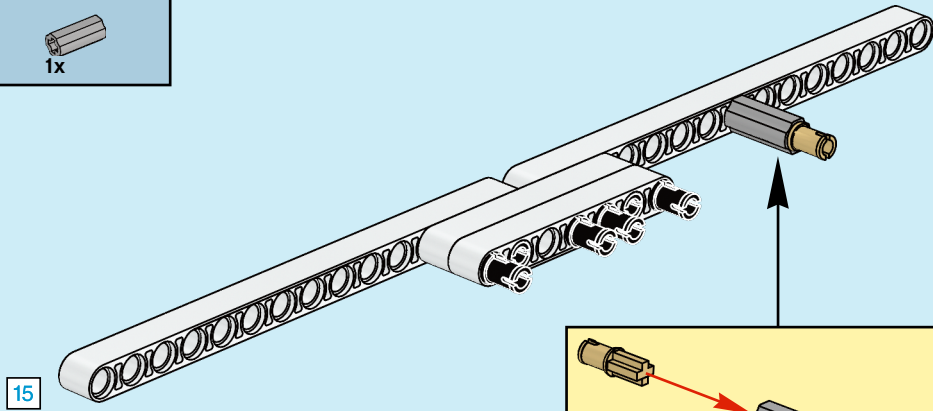




5

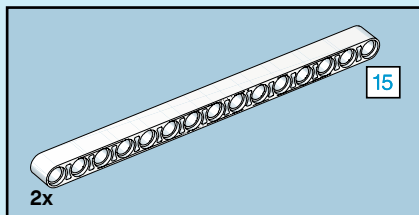
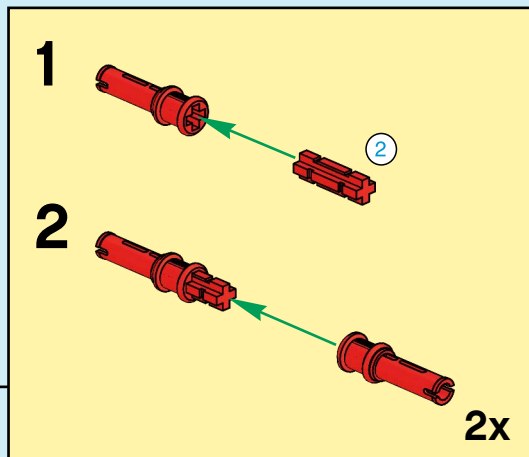
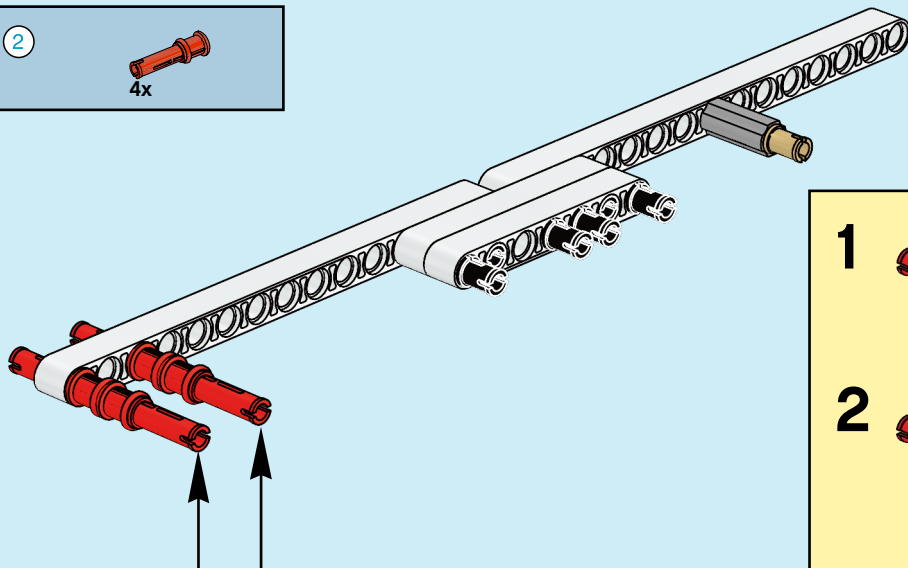


6

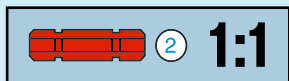
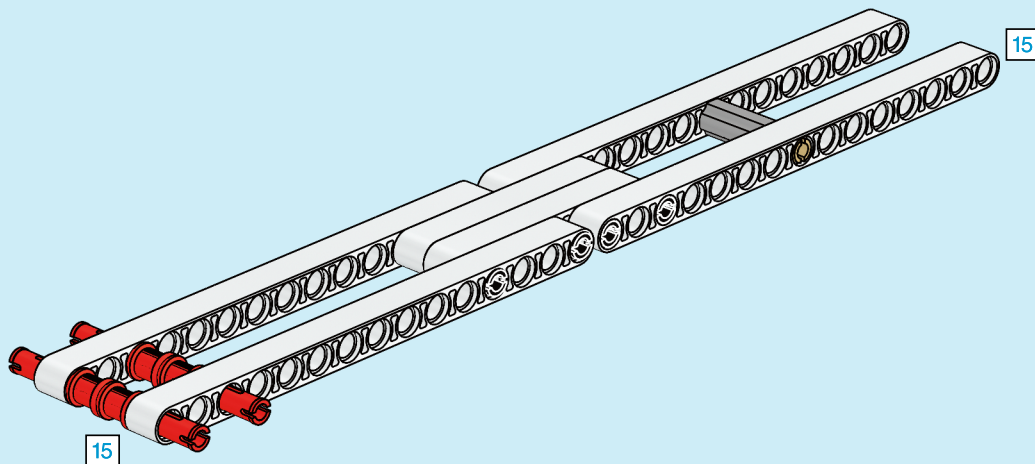


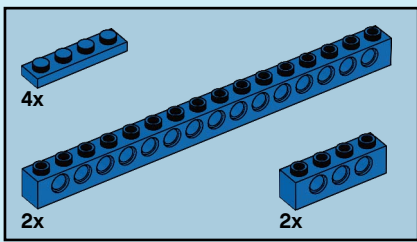


7

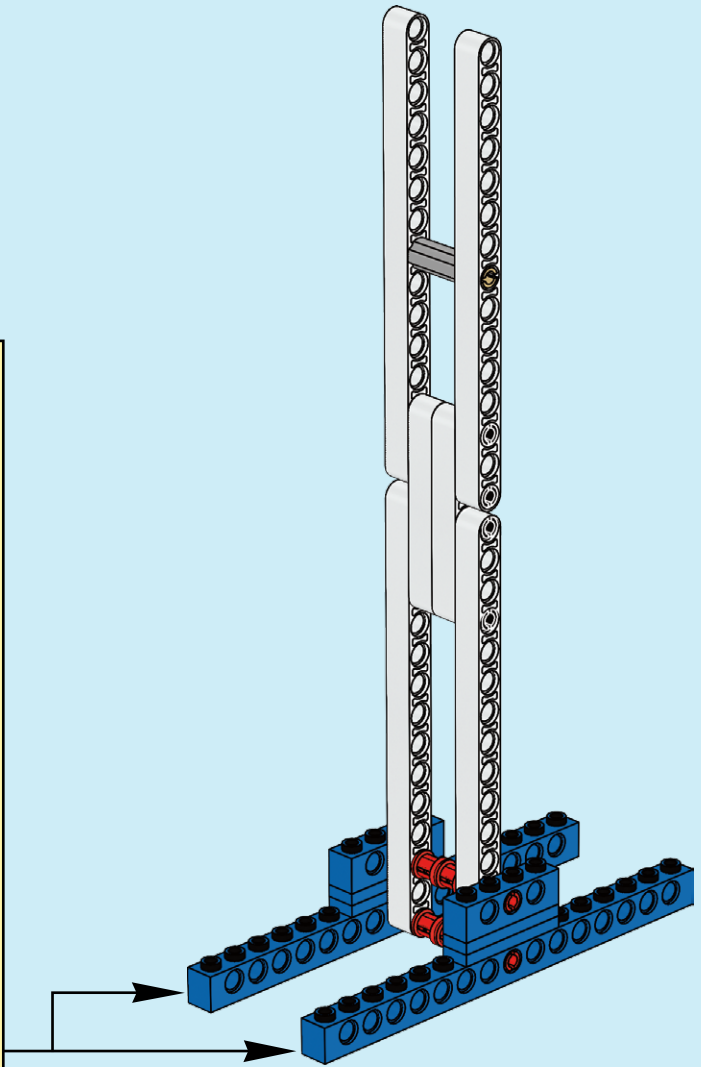
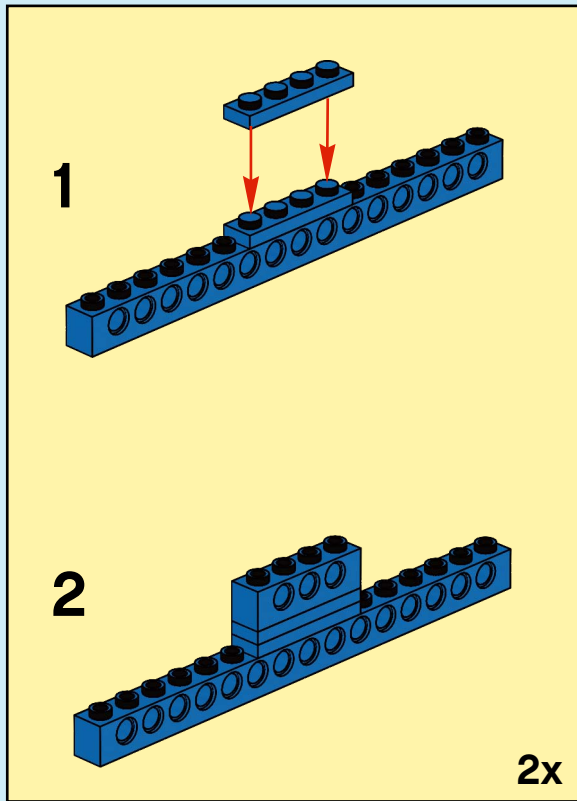


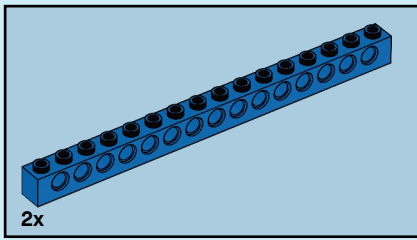
8



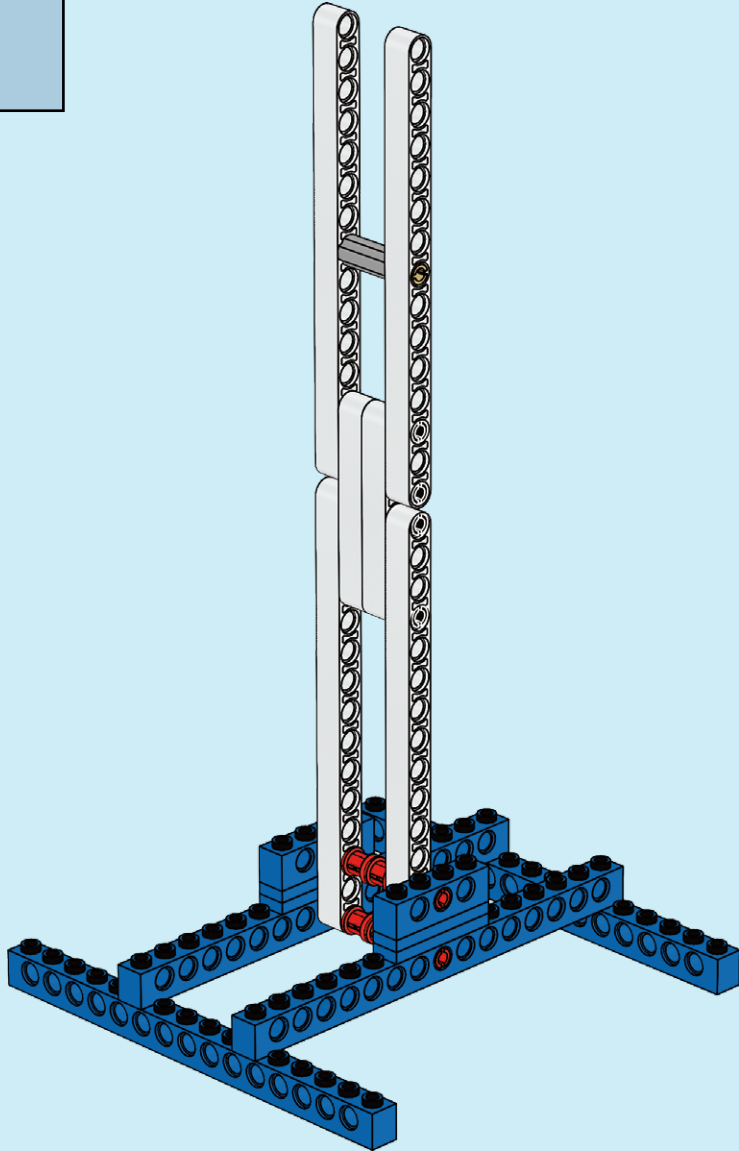


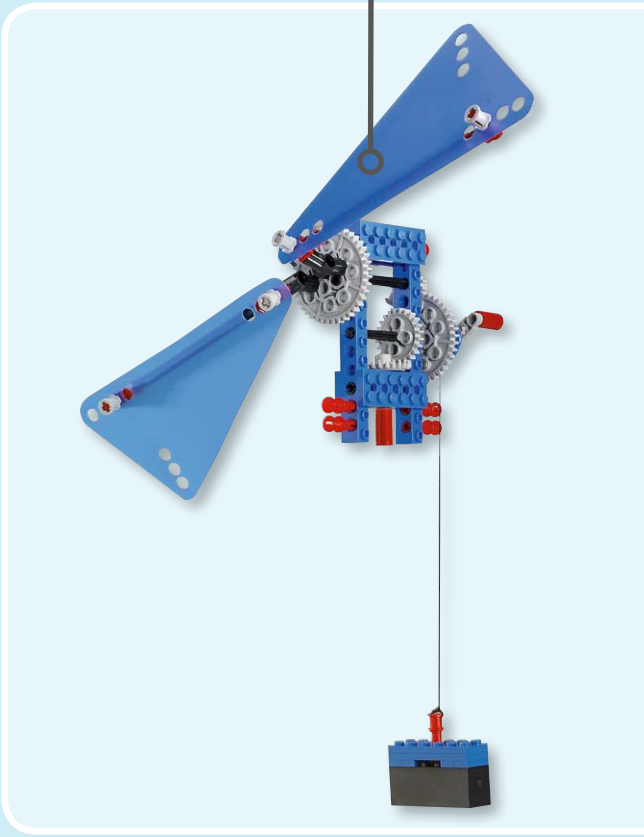
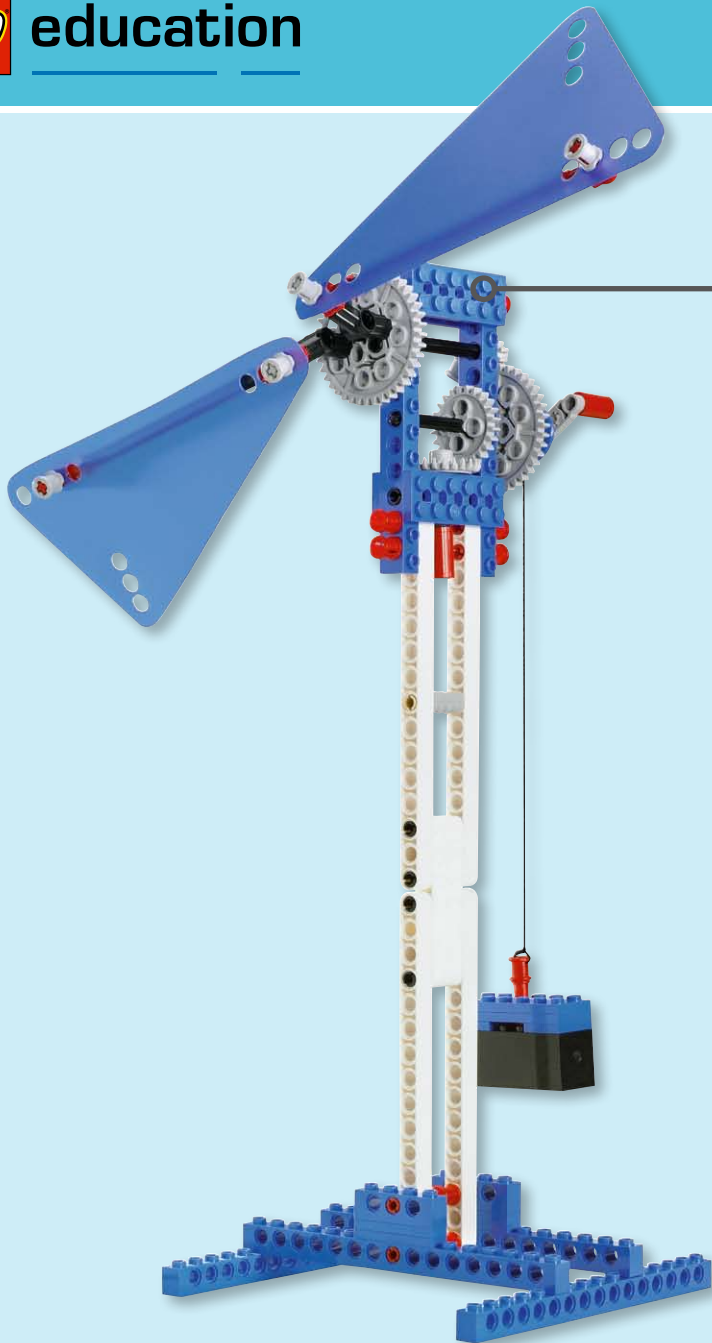
9

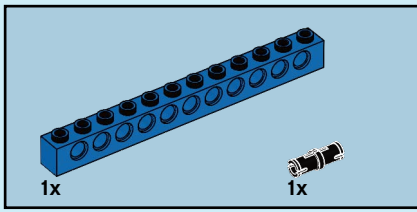




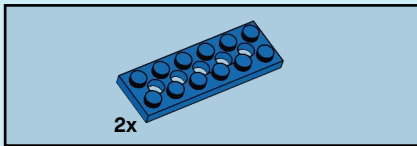
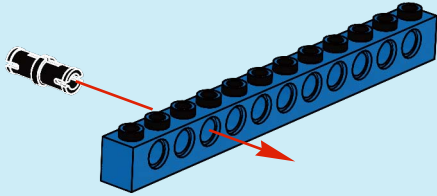
10



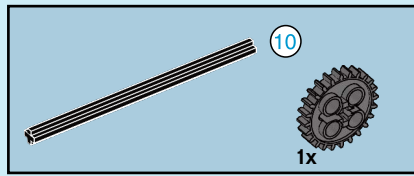
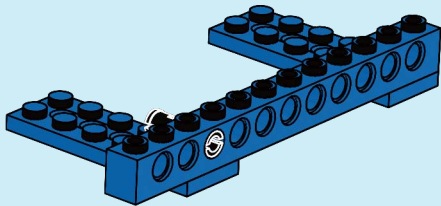




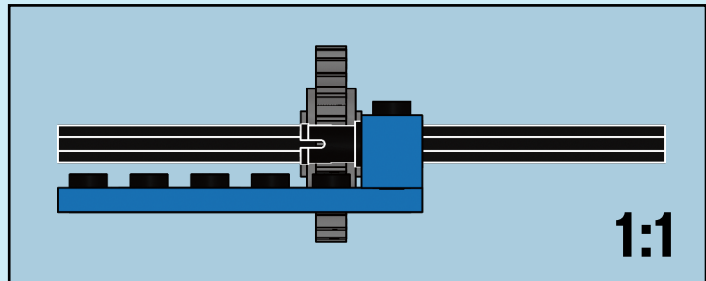
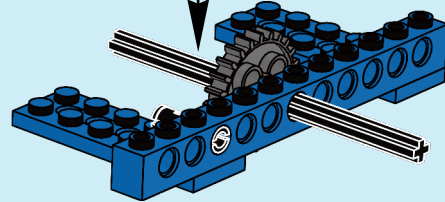
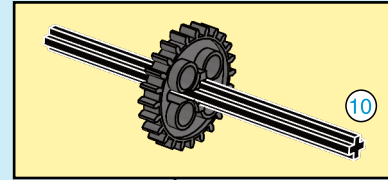
1



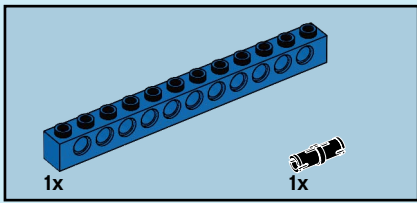
2



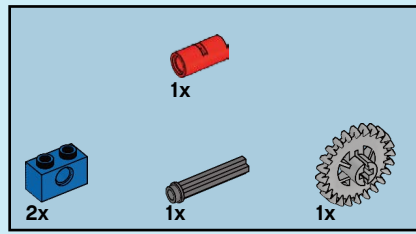
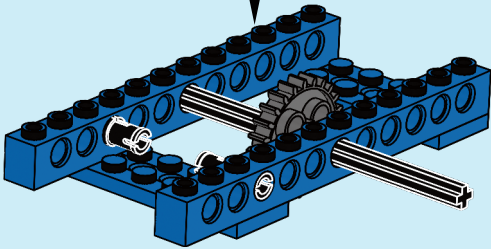
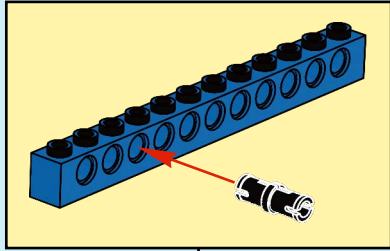
3



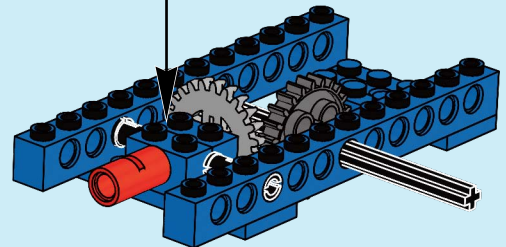
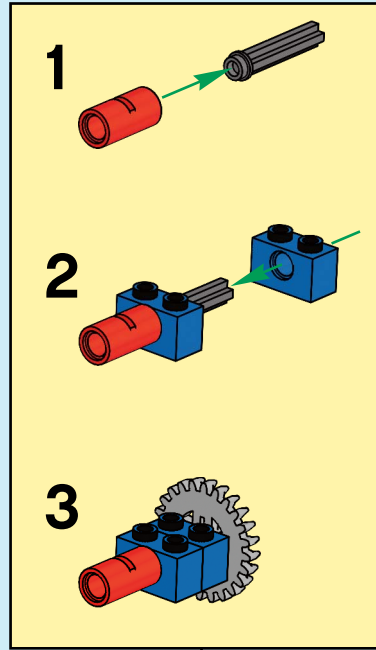


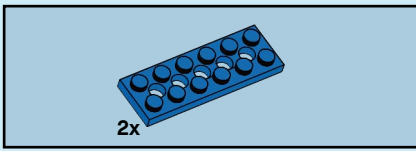


4

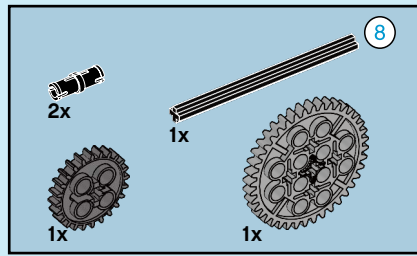
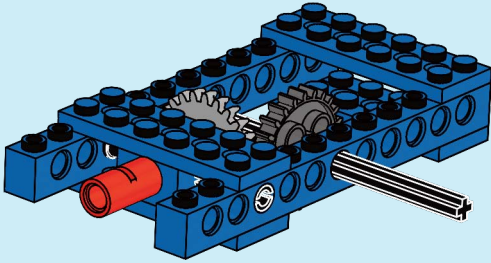


5

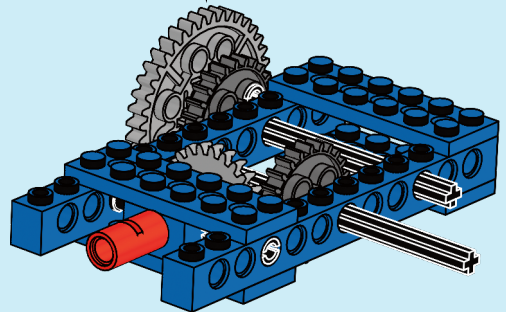
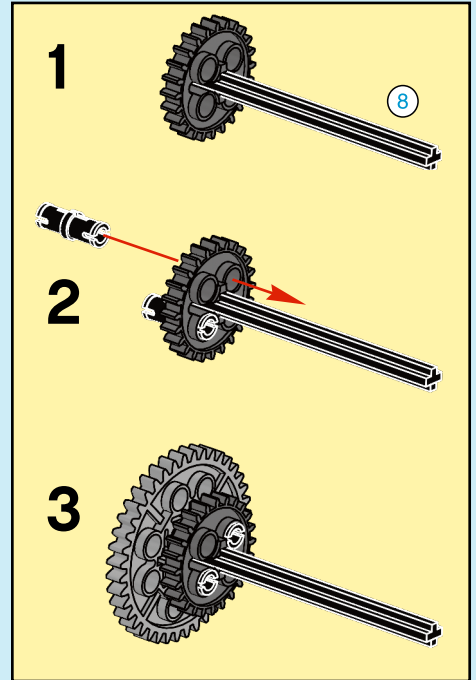


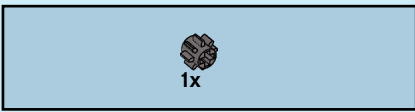


6

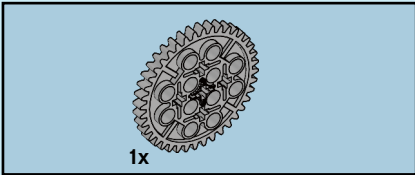
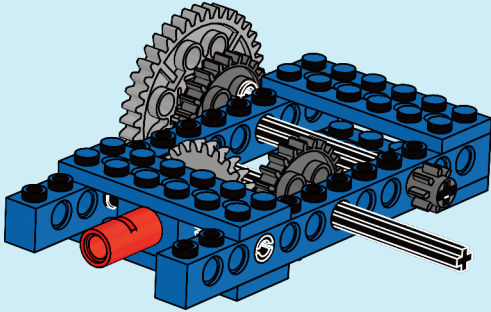


7

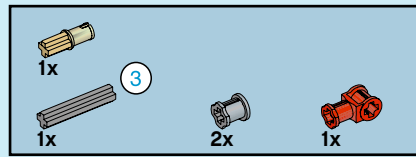
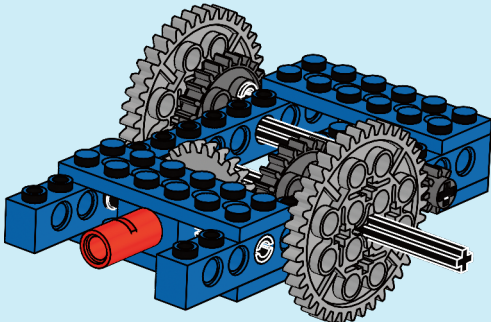




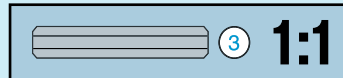
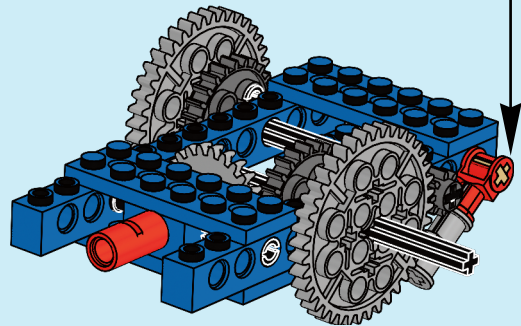
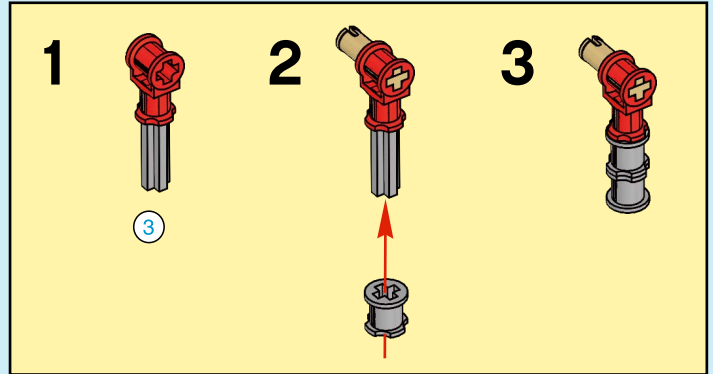
8

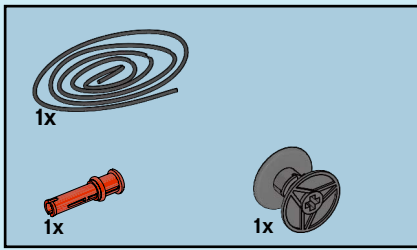


9

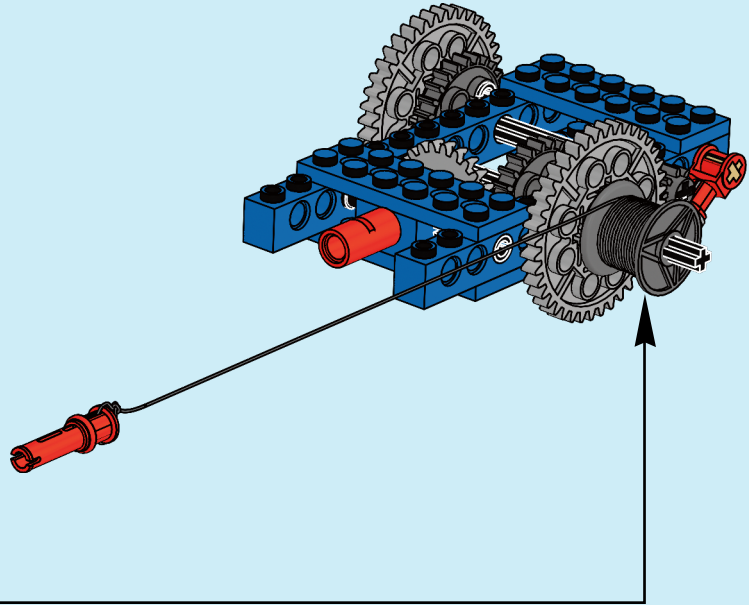
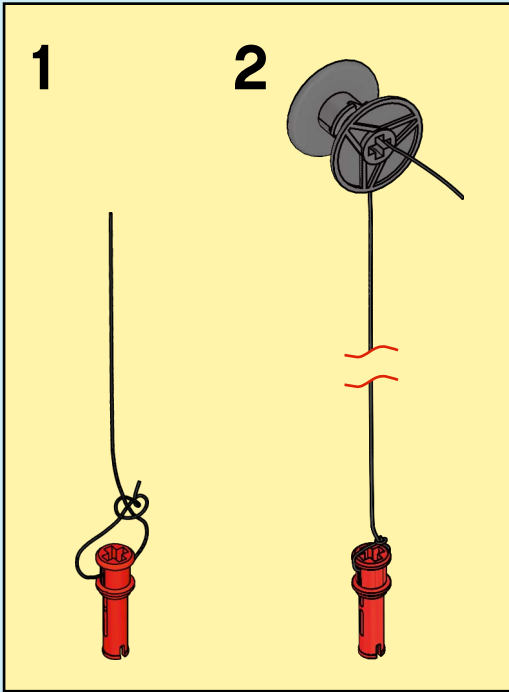


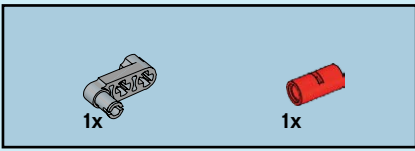
10



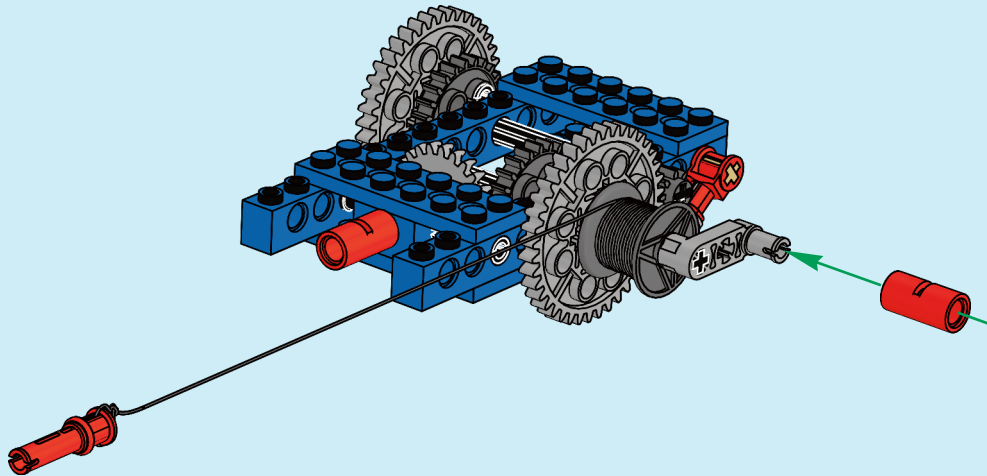


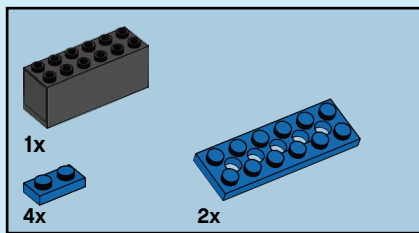
# 11



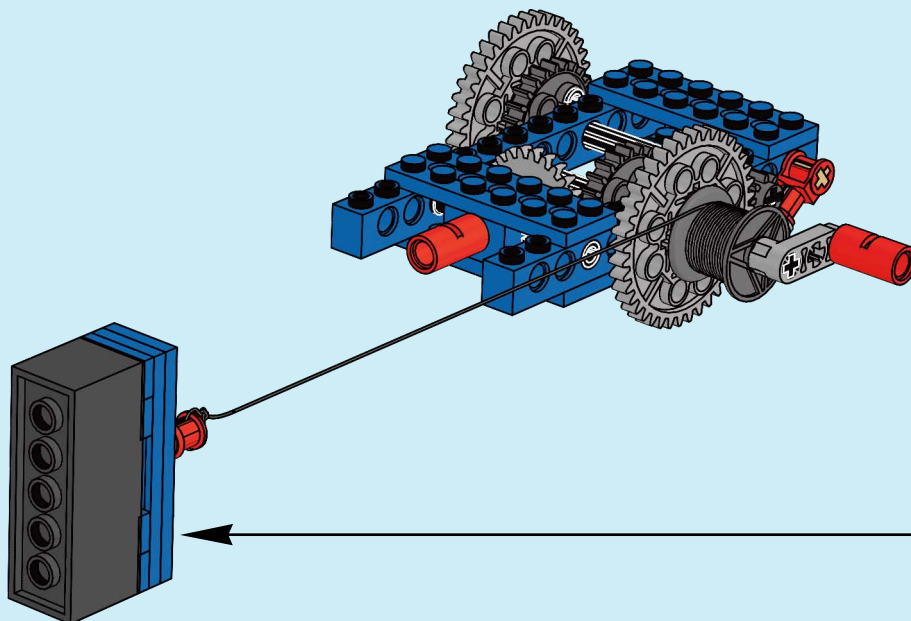
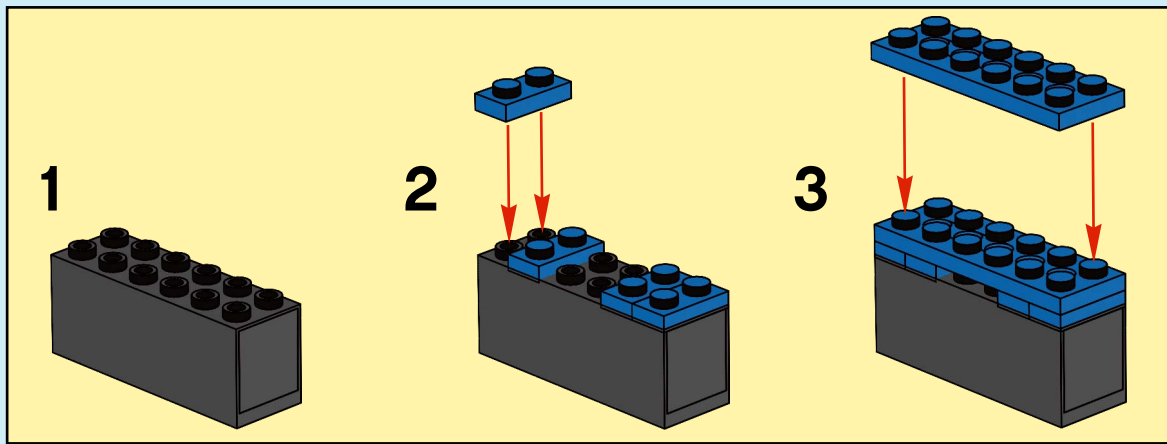


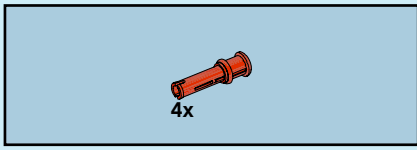
# 12



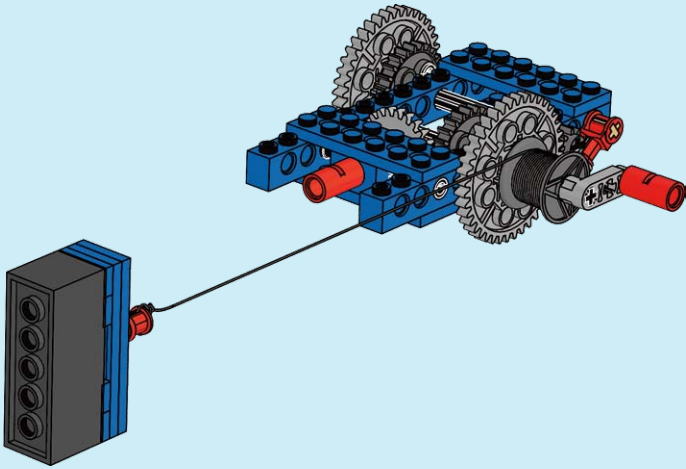


# 13

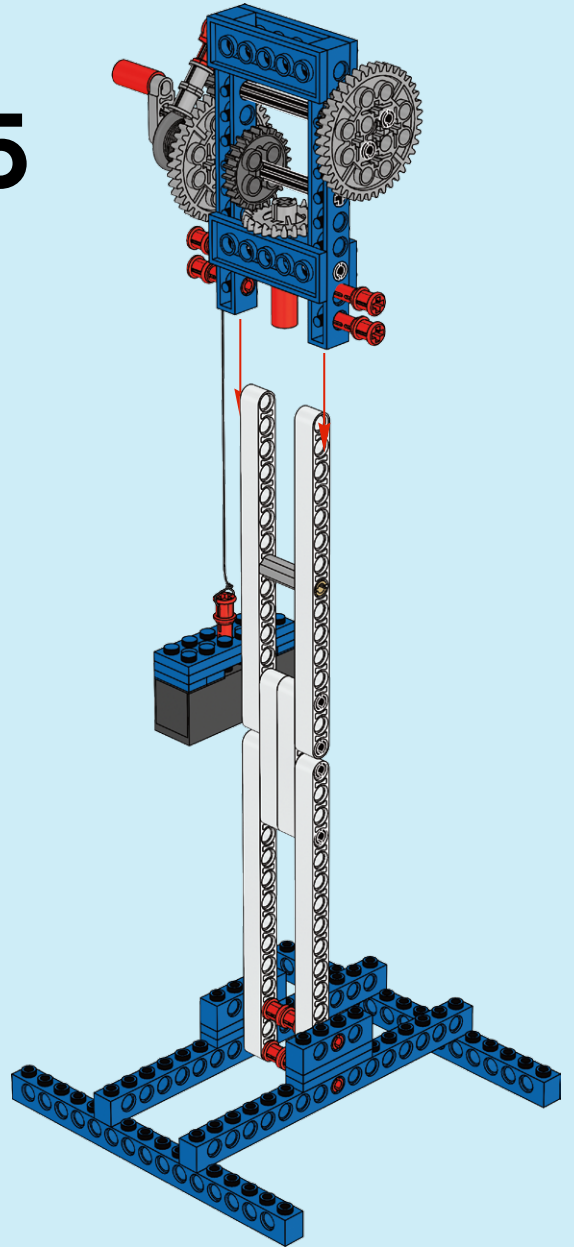




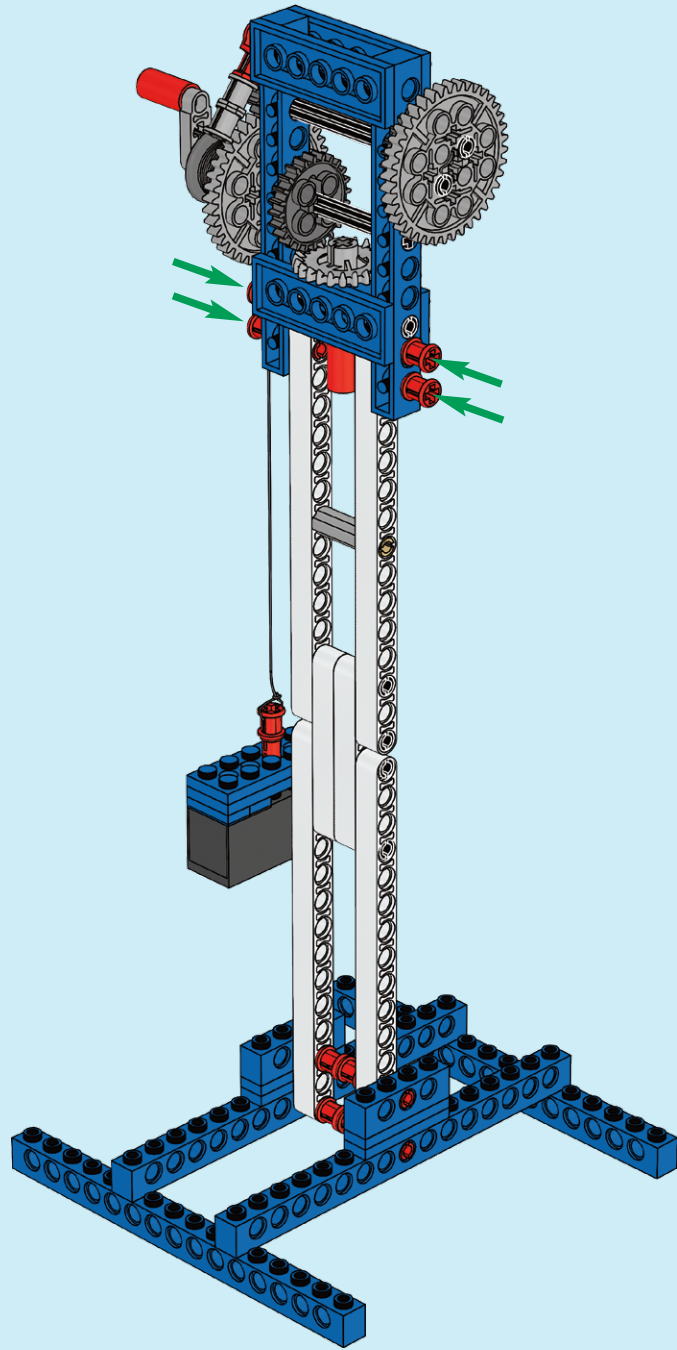
14



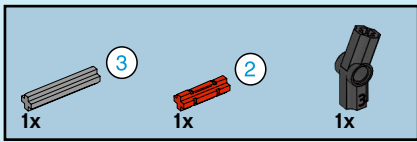
15



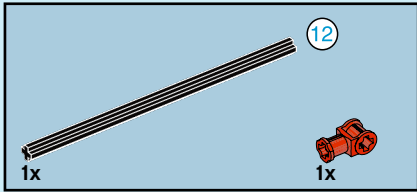
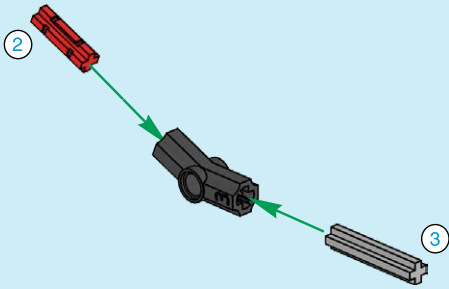
# 16



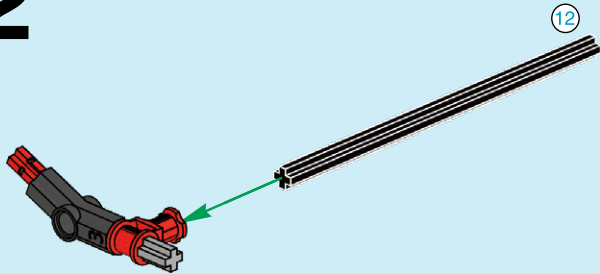




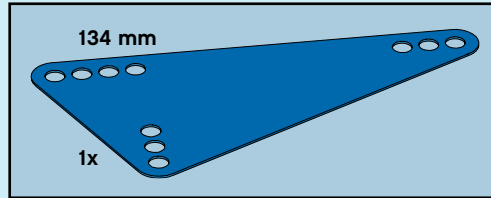
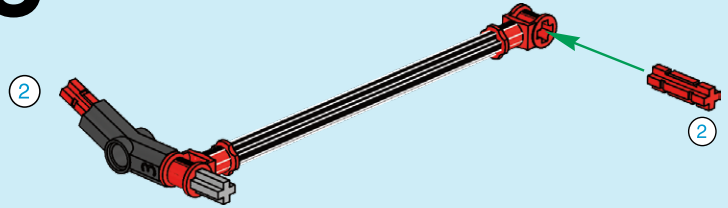
1



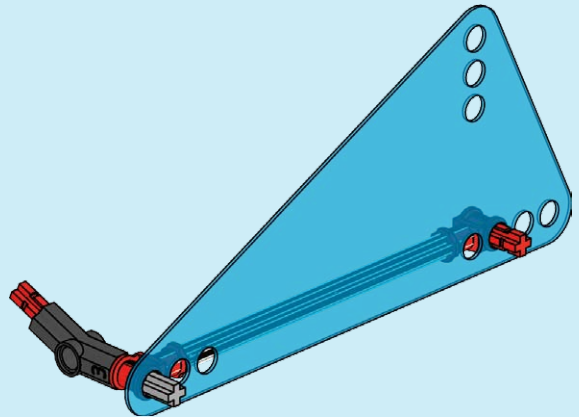
2



3



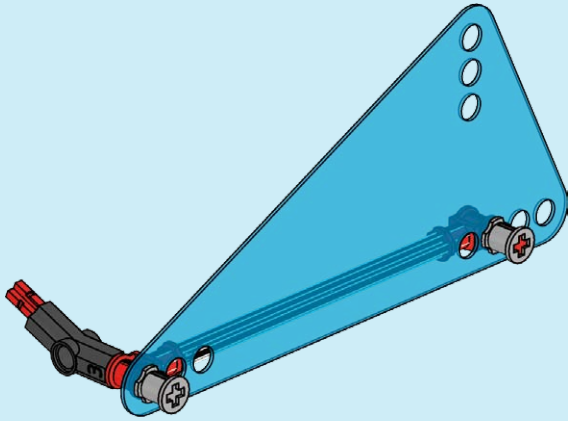
4





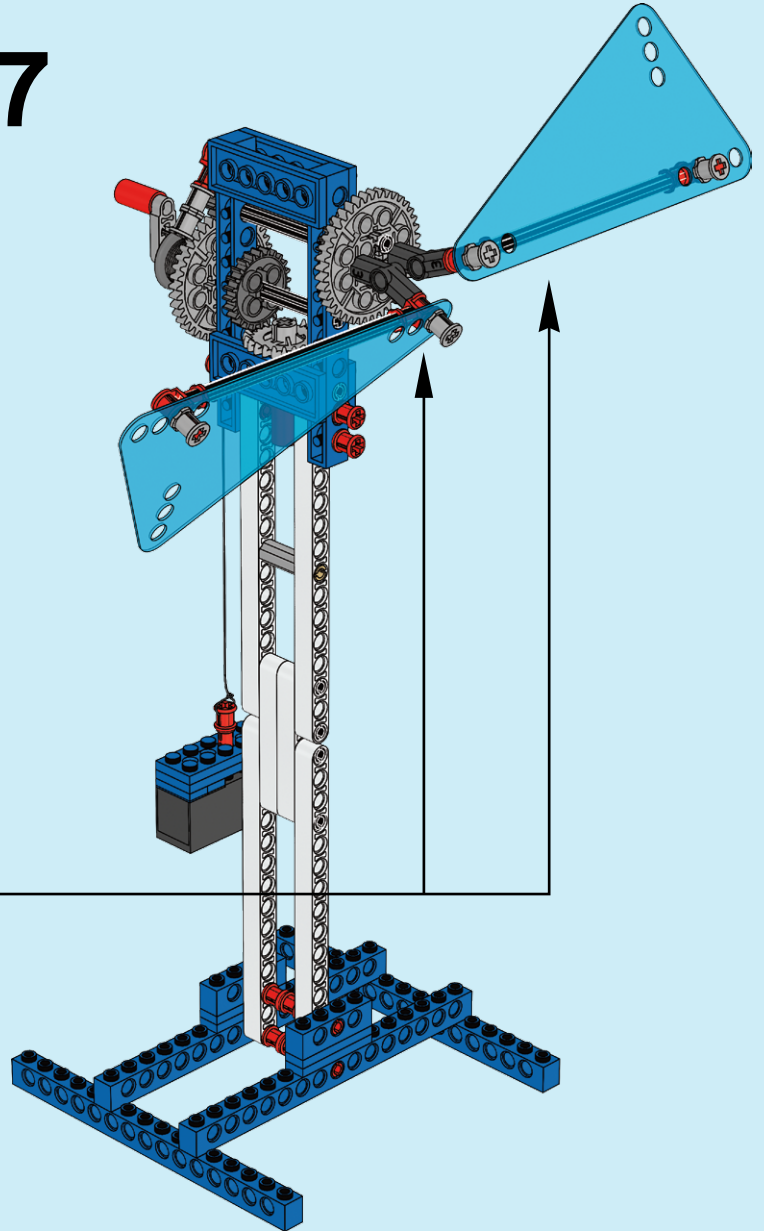
2x

5

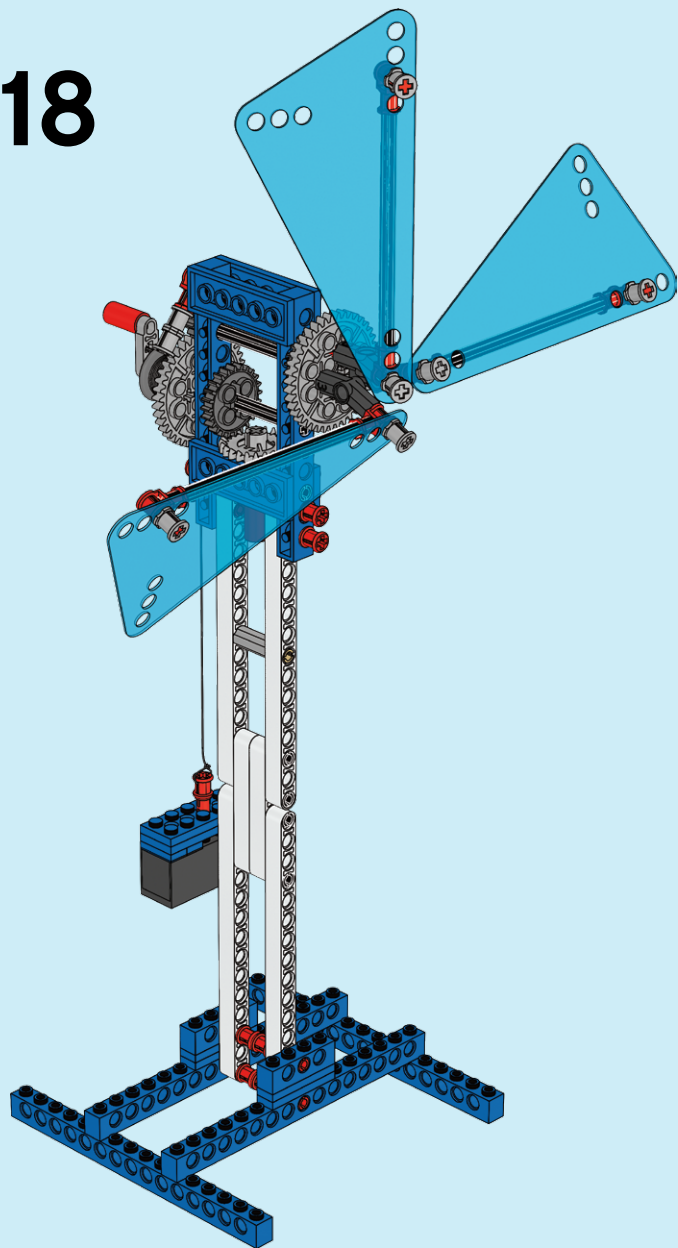


4x

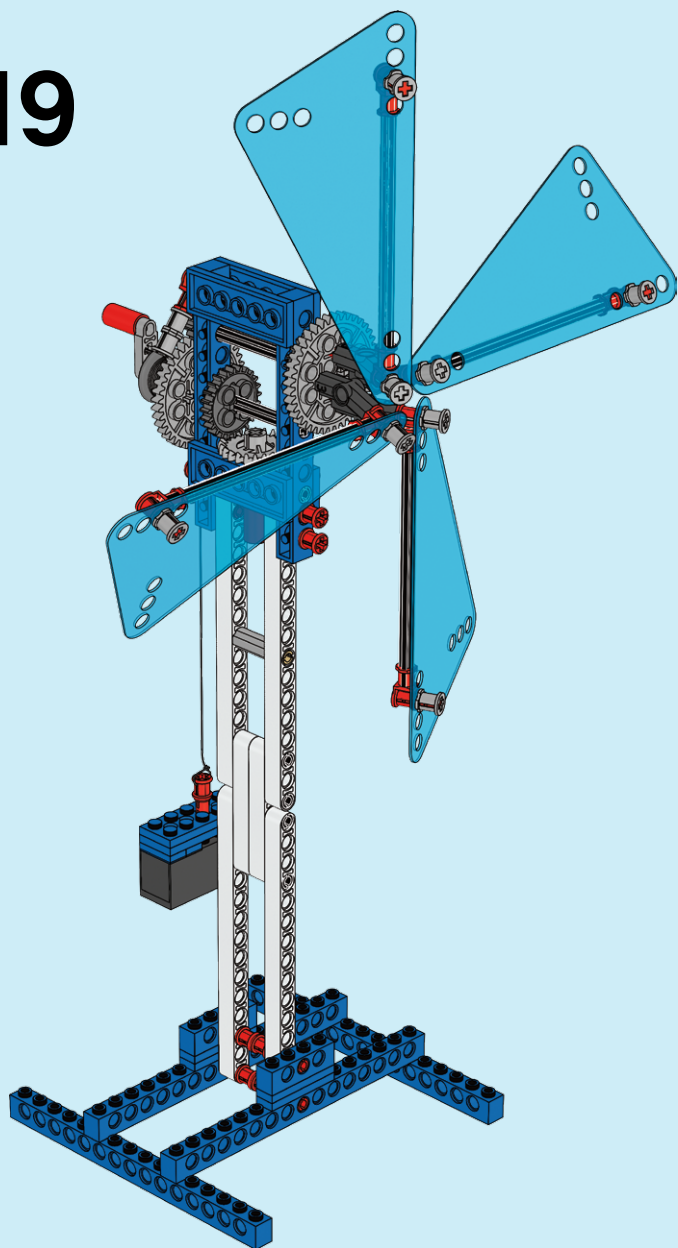
17

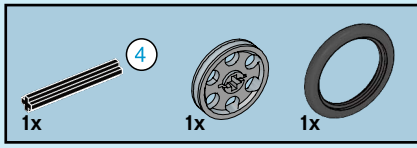
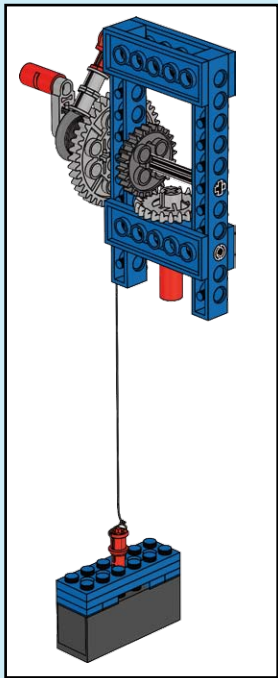


# 18

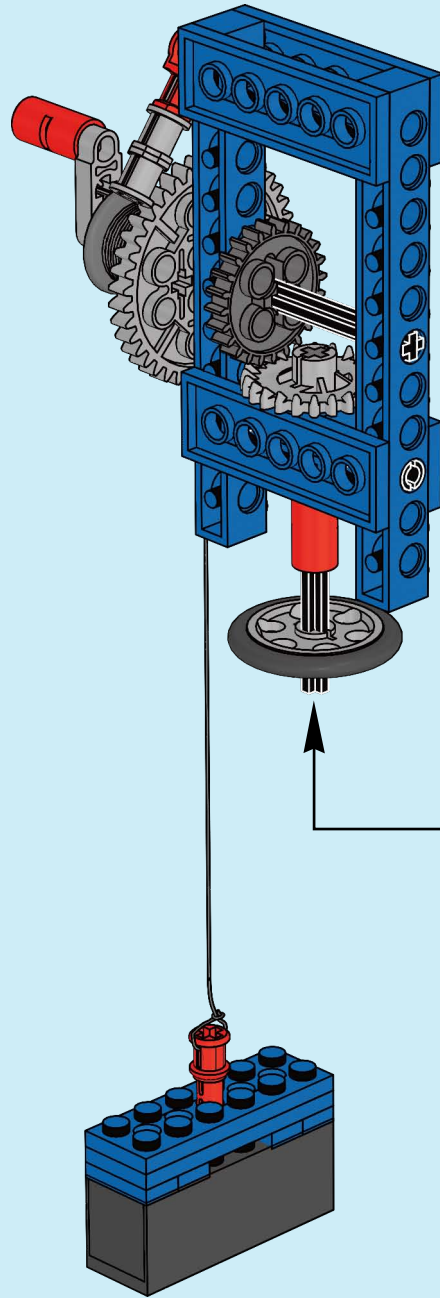


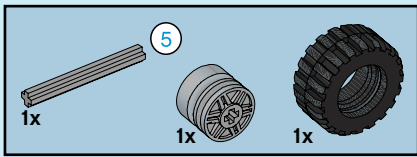
# 19



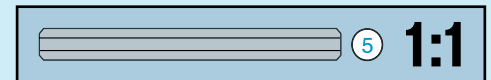
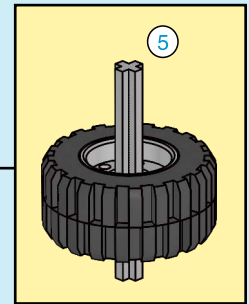
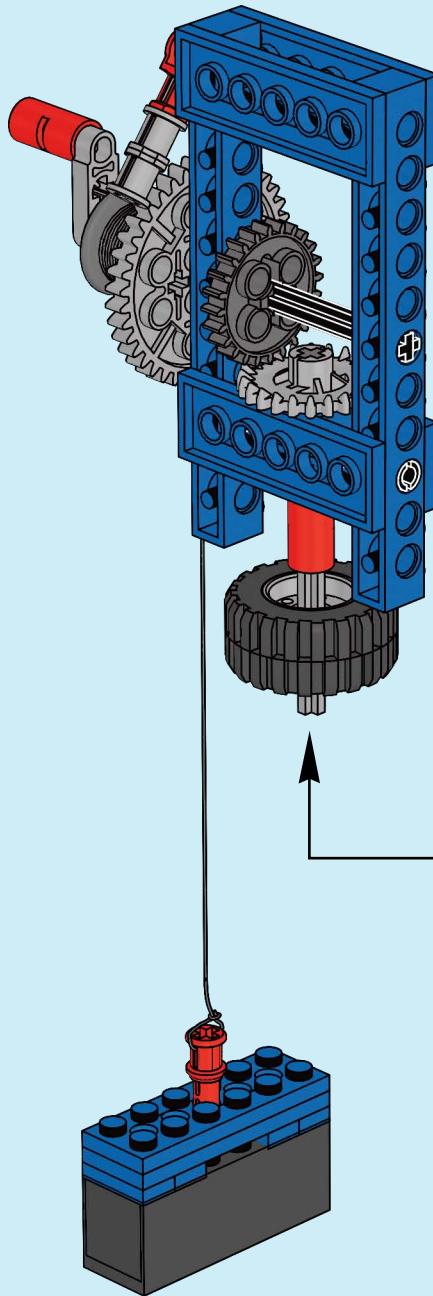


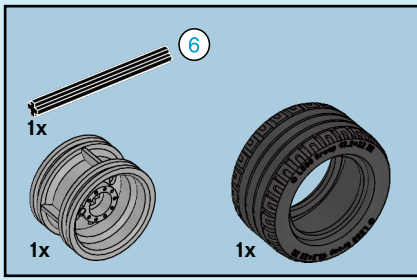
1





2





3

