

**A1**

(Building Instruction booklet I, page 9, step 11).  
 Let the cart roll down the ramp and explain what has happened in terms of potential and kinetic energy.

---



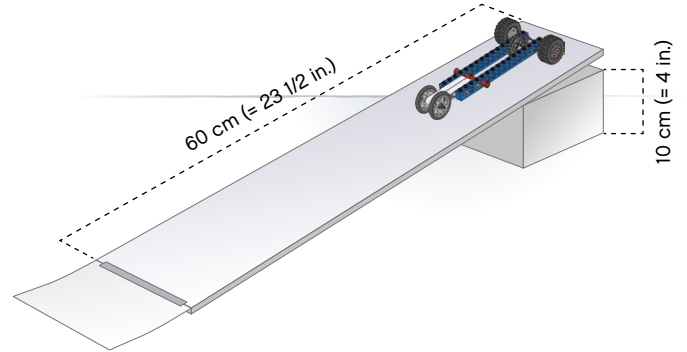
---



---



---



**A2**

(Building Instruction booklet I, page 9, step 12).  
 Let the cart roll down the ramp and explain what has changed and what has happened in terms of potential and kinetic energy.

---



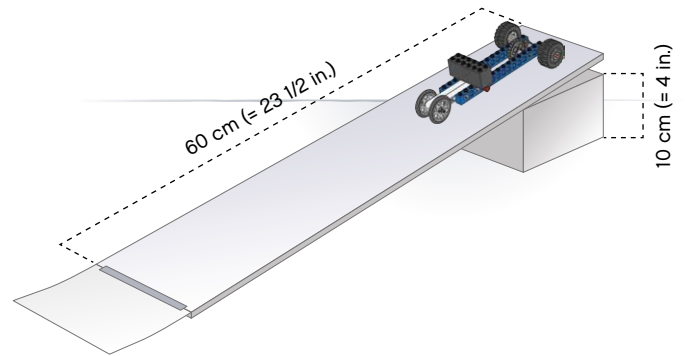
---



---



---



**A3**

Let the cart roll down the ramp and explain what has changed and what has happened in terms of potential and kinetic energy.

---



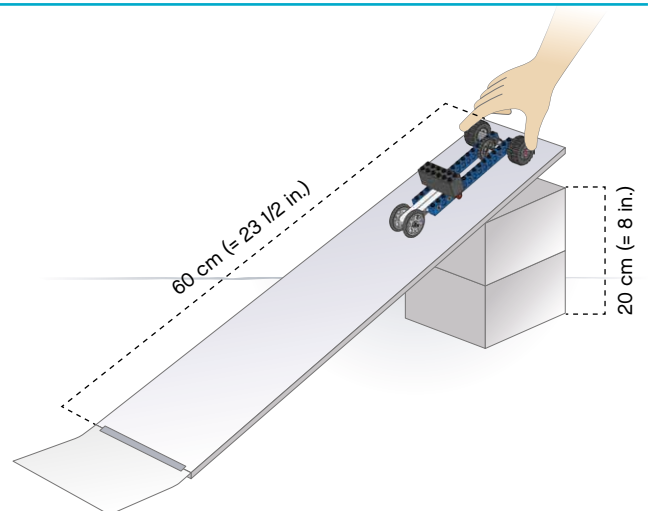
---



---



---



**A4**

(Building Instruction booklet I, page 18, step 27).  
 Pull the handle back as far as it goes, then let go and watch the car move. Explain what has happened in terms of potential and kinetic energy.

---



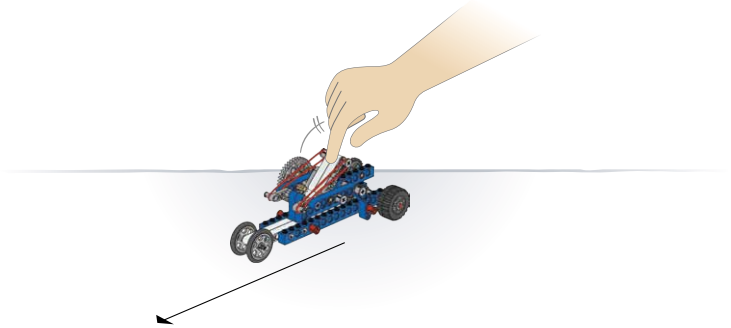
---



---



---



**A5**

(Building Instruction booklet I, page 19, step 28).  
 Pull the handle back as far as it goes, then let go and watch the car move. Explain what has changed and what has happened in terms of potential and kinetic energy.

---



---



---



---

