

45300



education

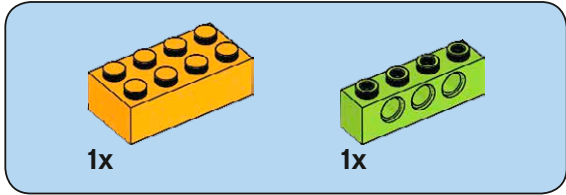


45300

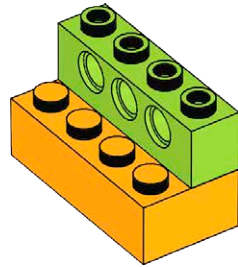
LEGO and the LEGO logo are trademarks of the/son des marques de commerce
du/son marcas registradas de LEGO Group. ©2015 The LEGO Group. 088360.

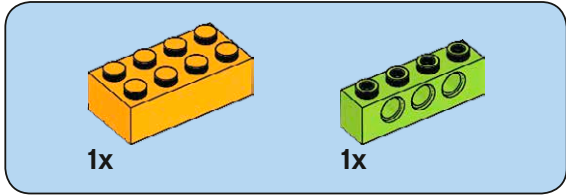


education

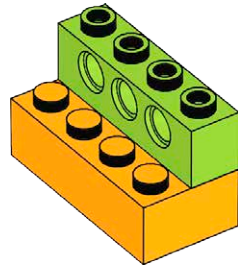


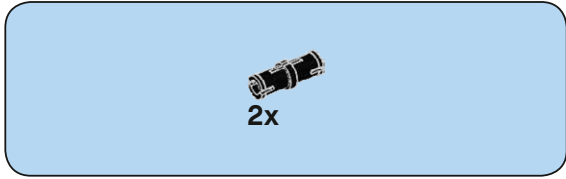
1



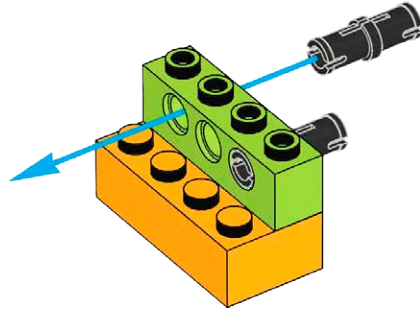


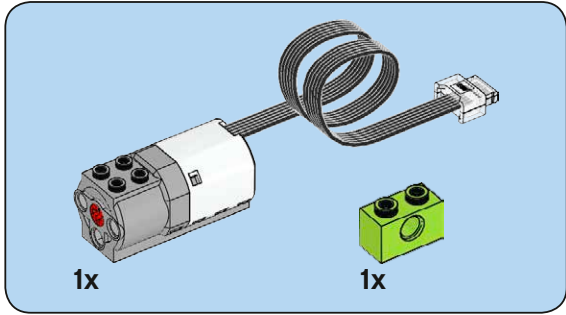
1



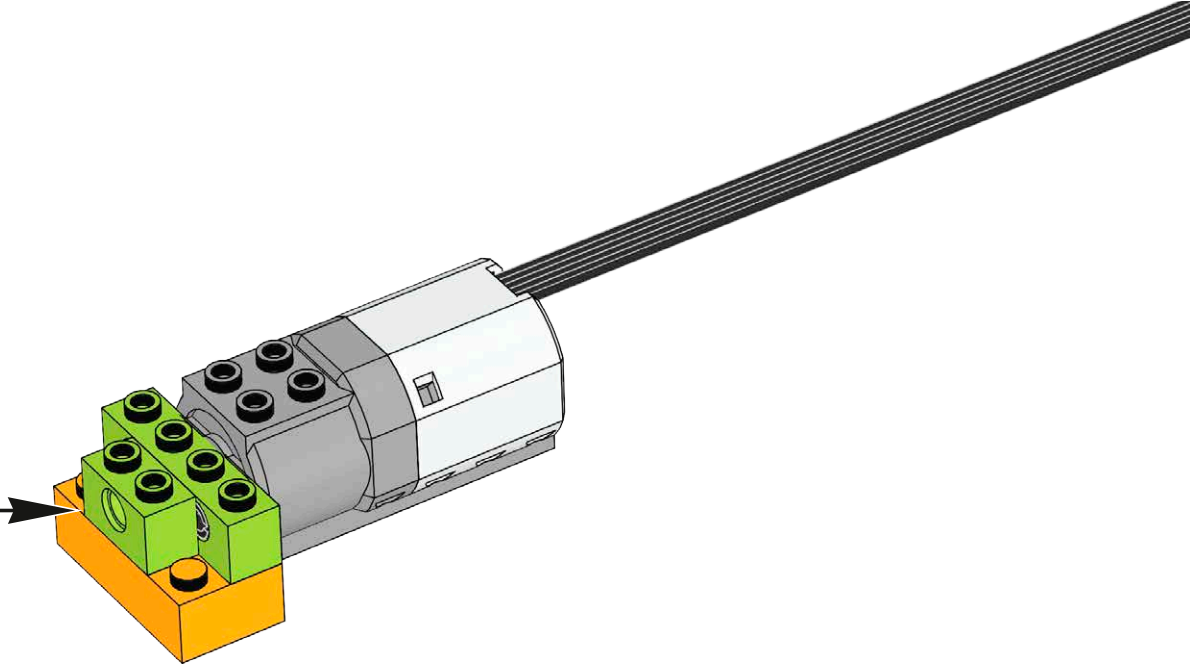
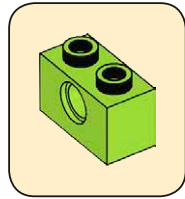


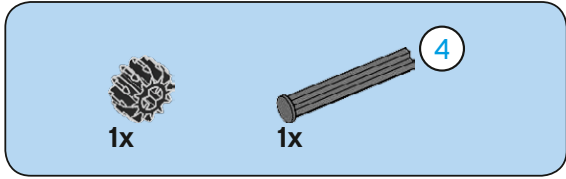
2



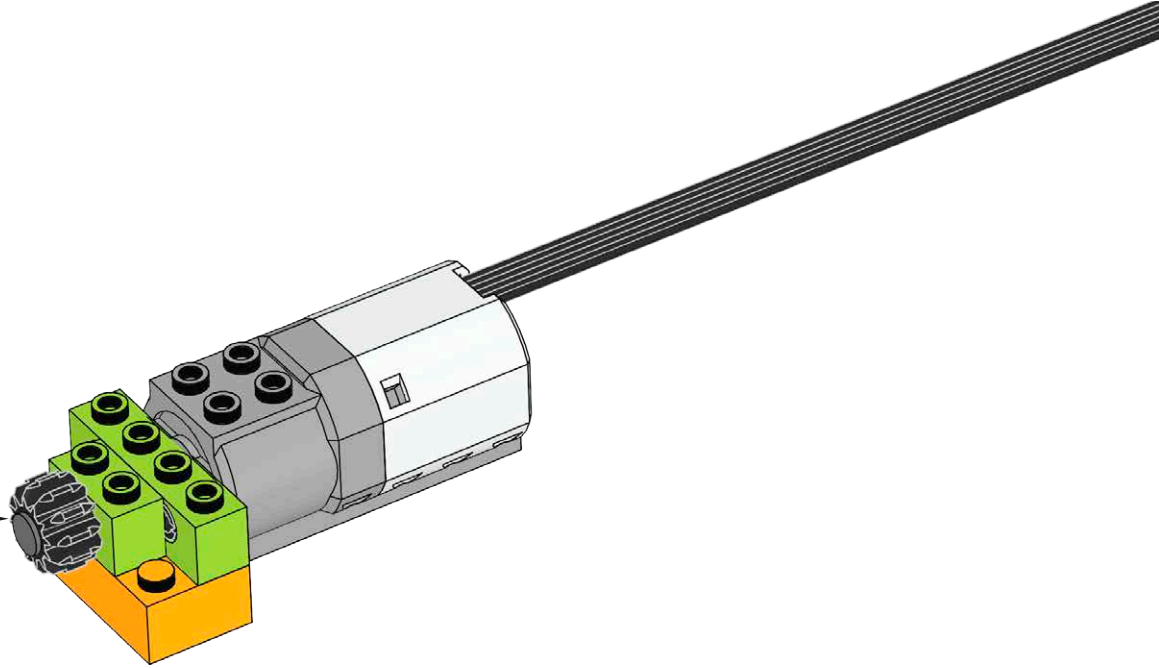
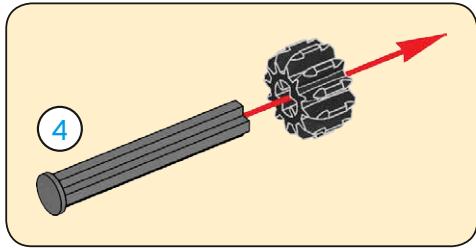


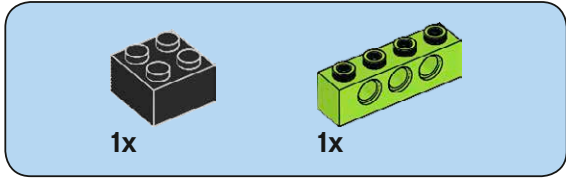
3



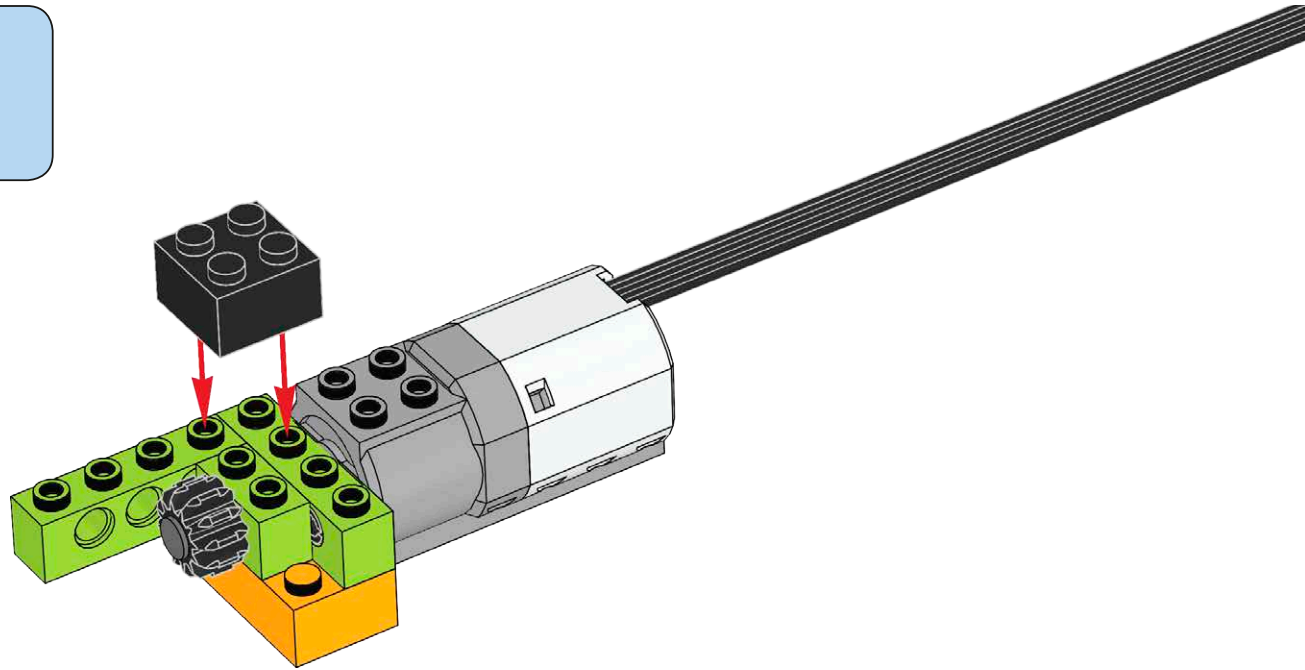


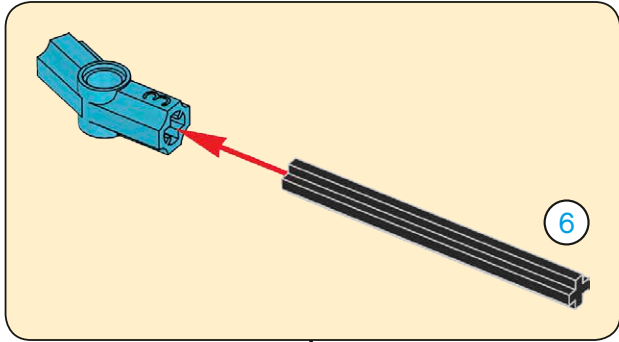
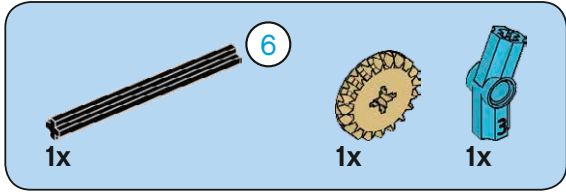
4



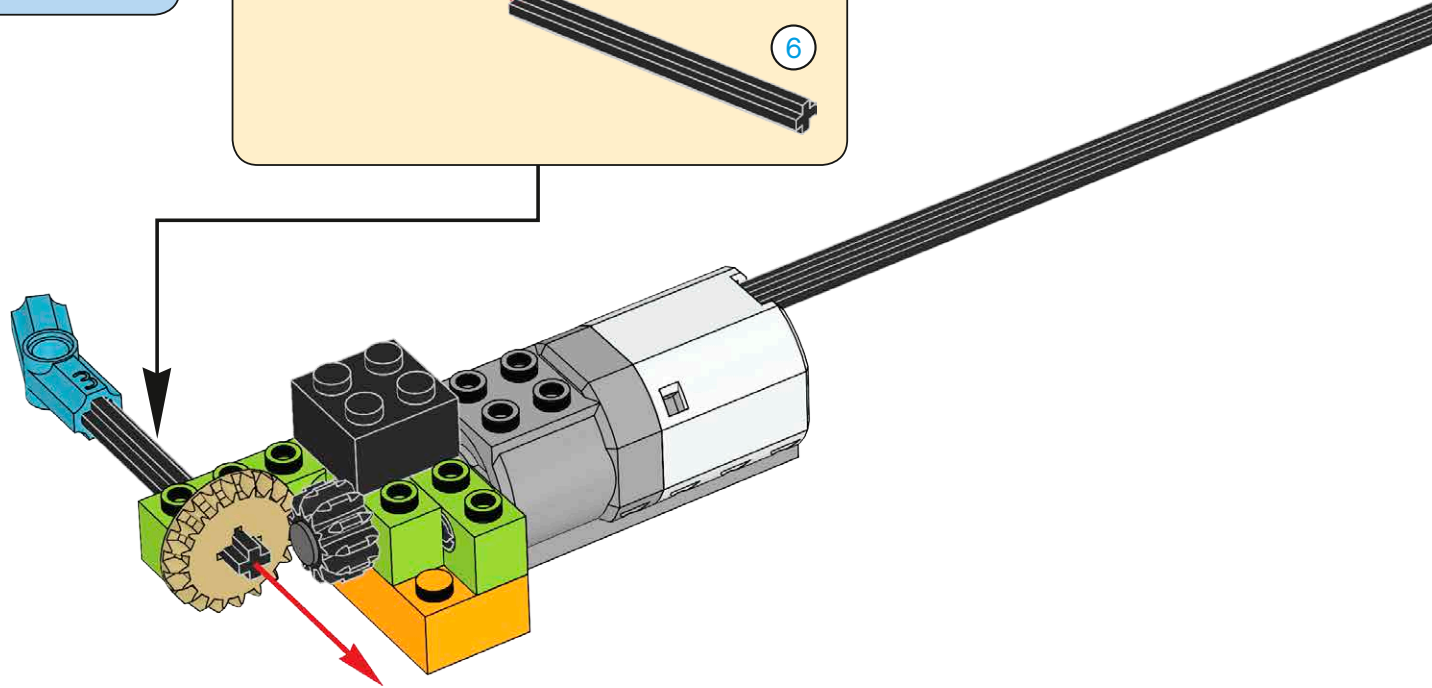


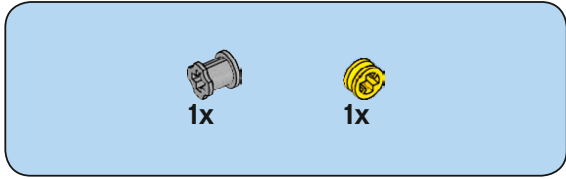
5



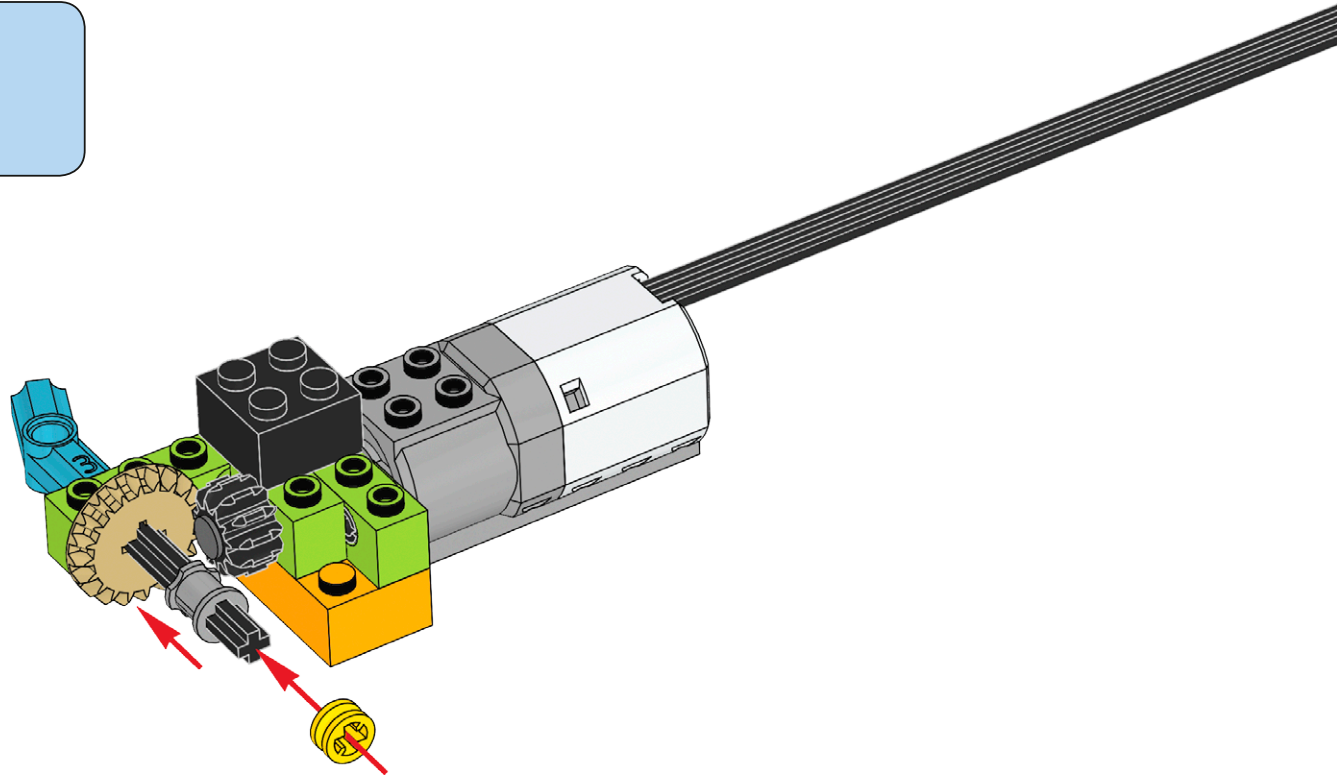


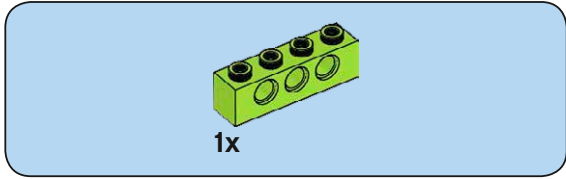
6



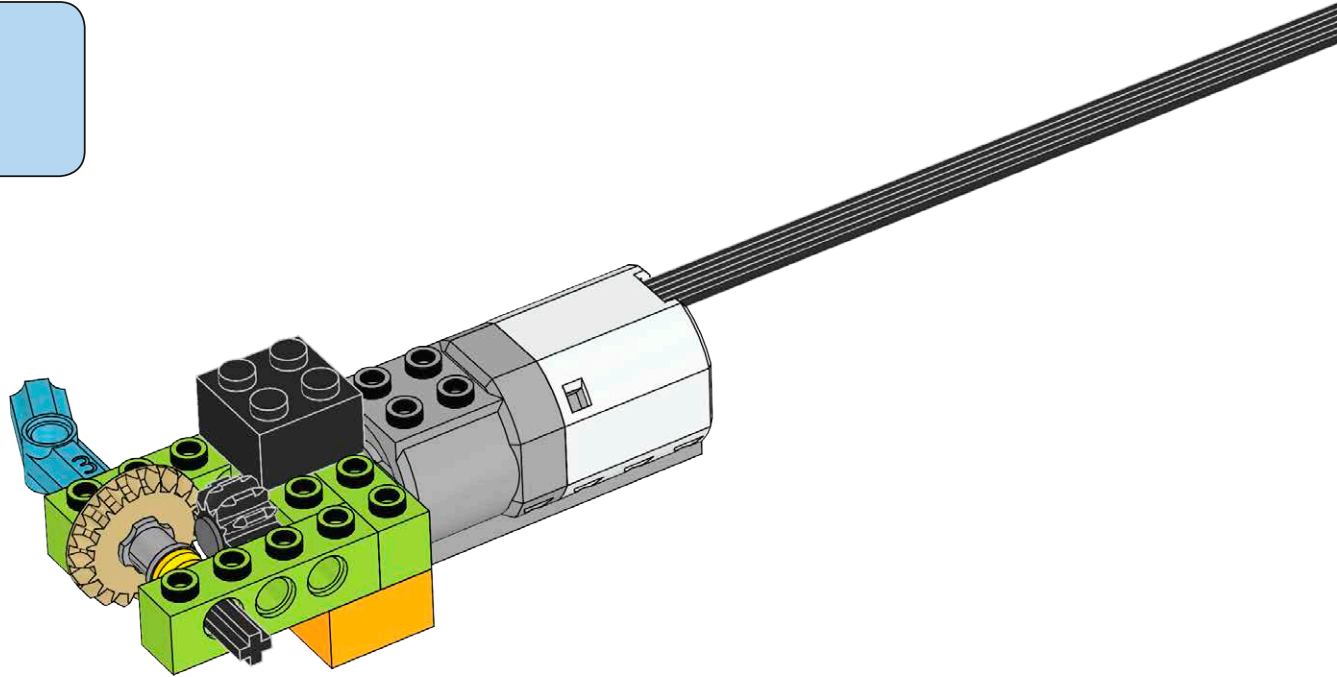


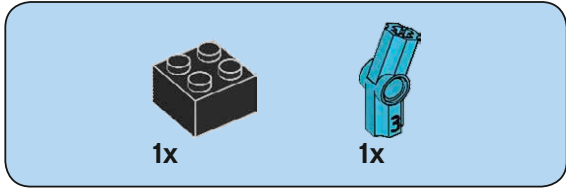
7



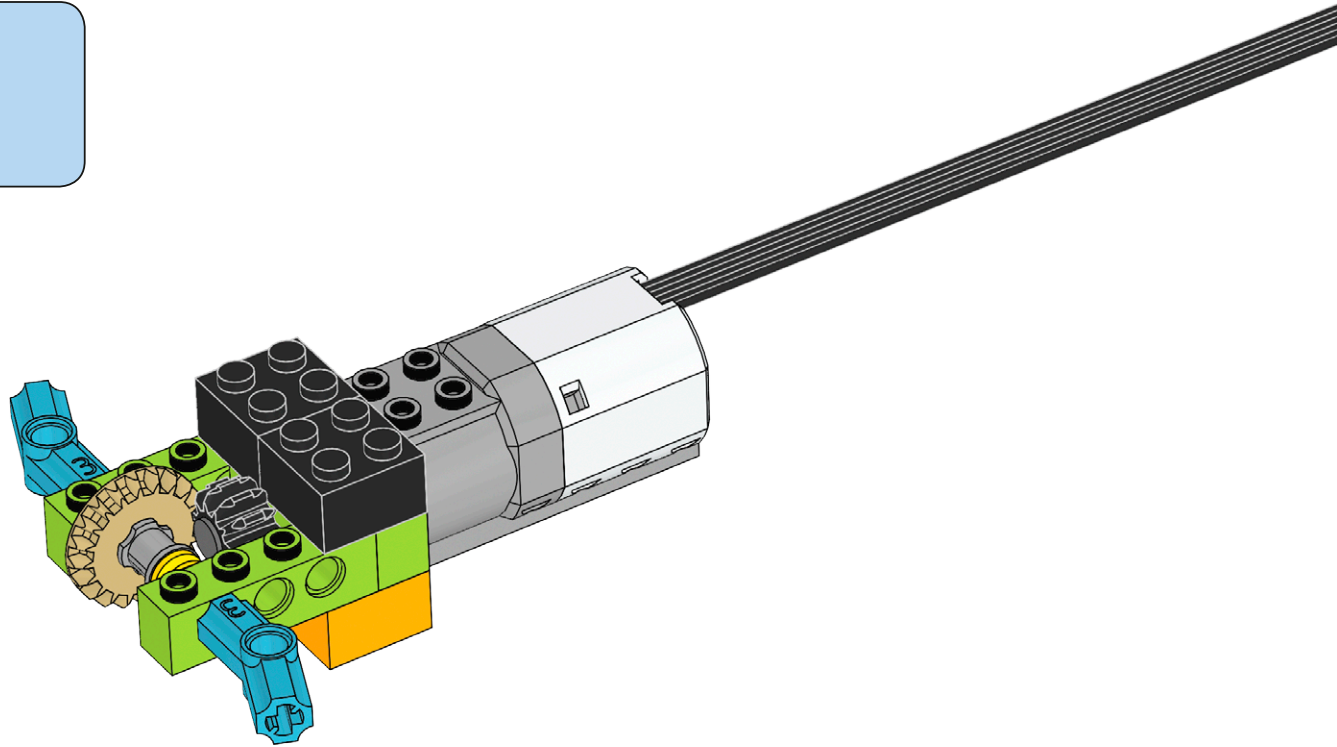


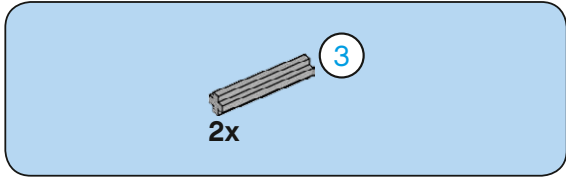
8



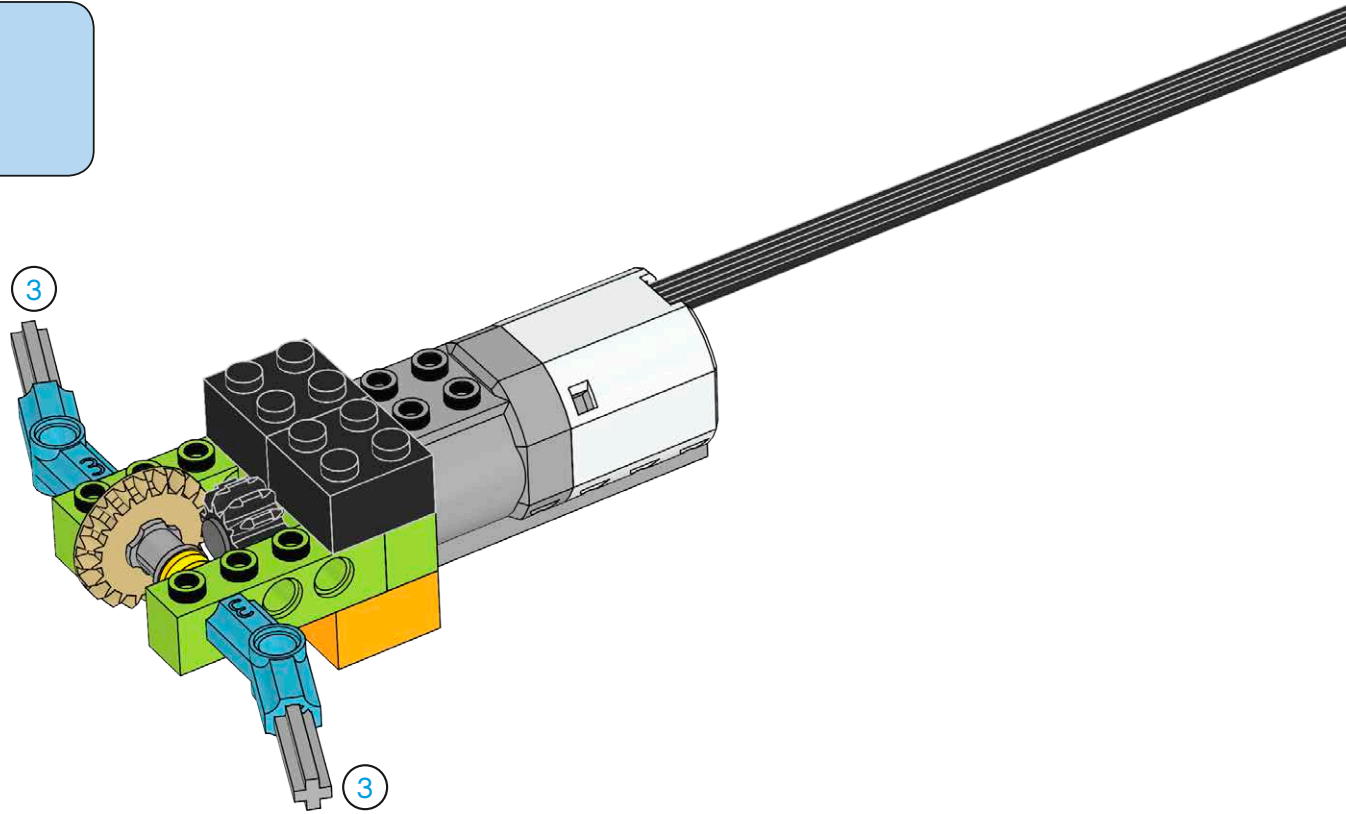


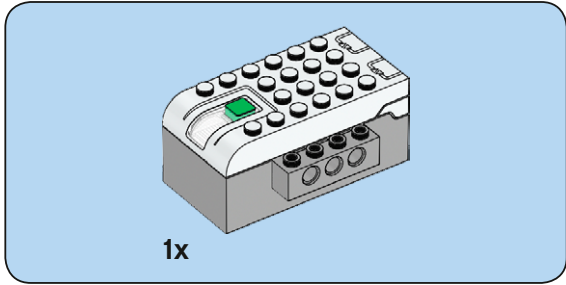
9





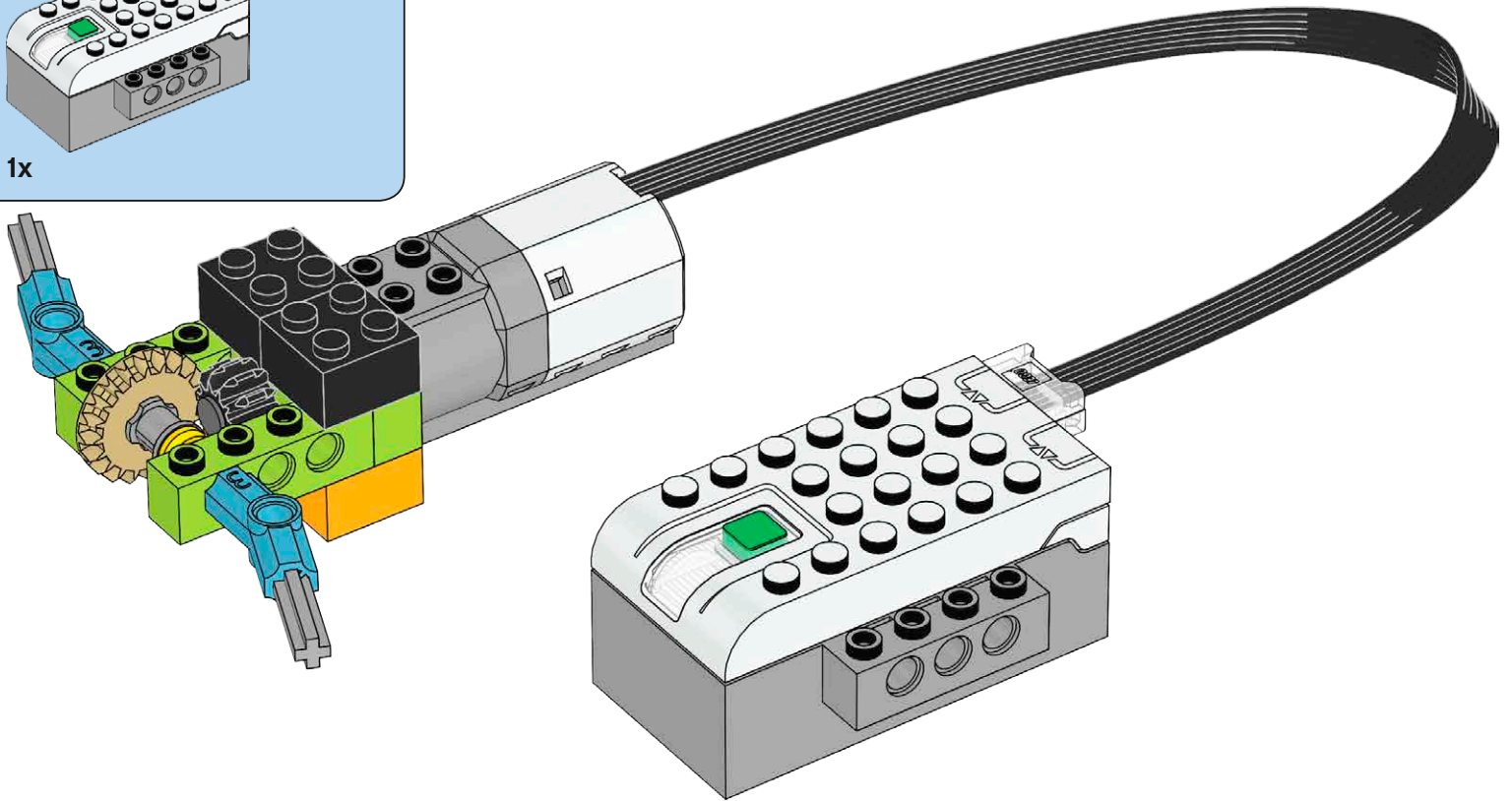
10

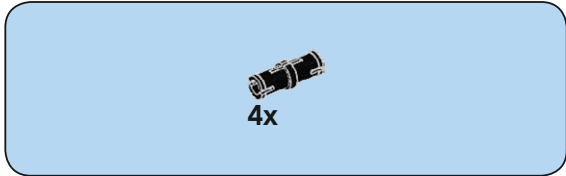




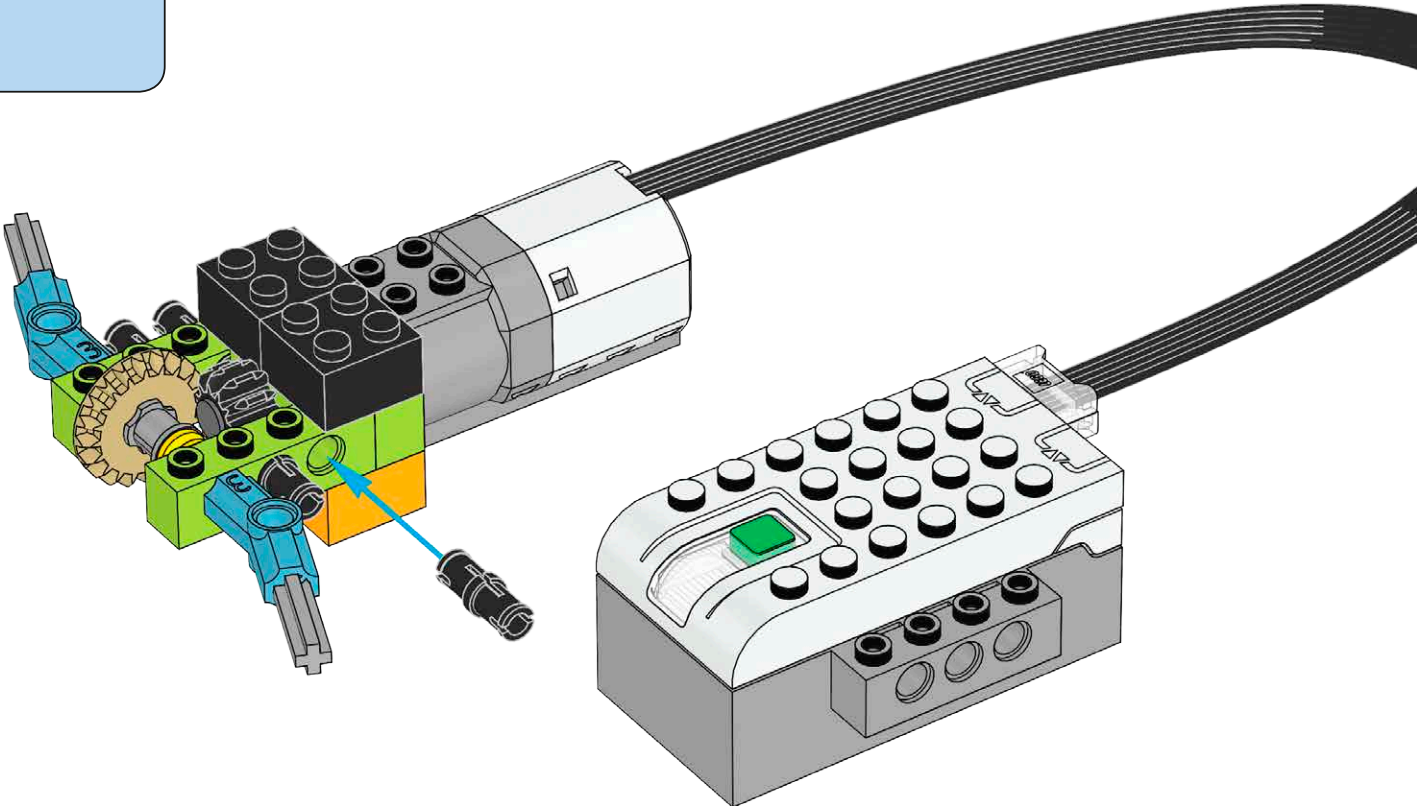
1x

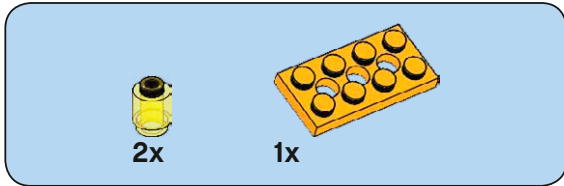
11



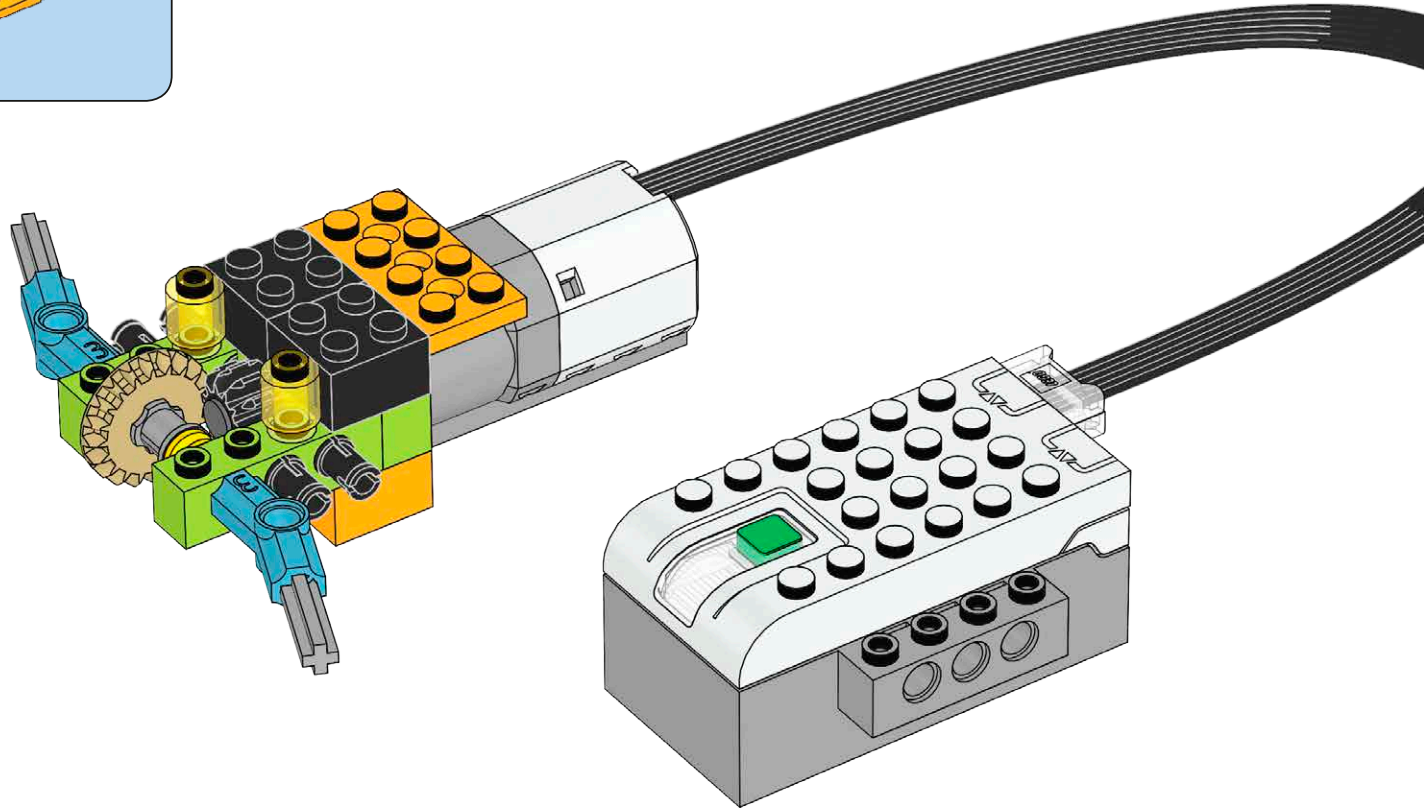


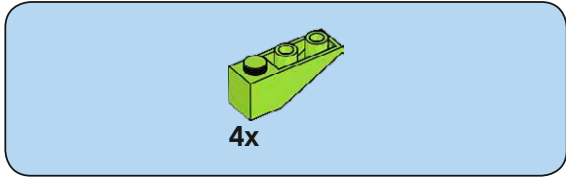
12



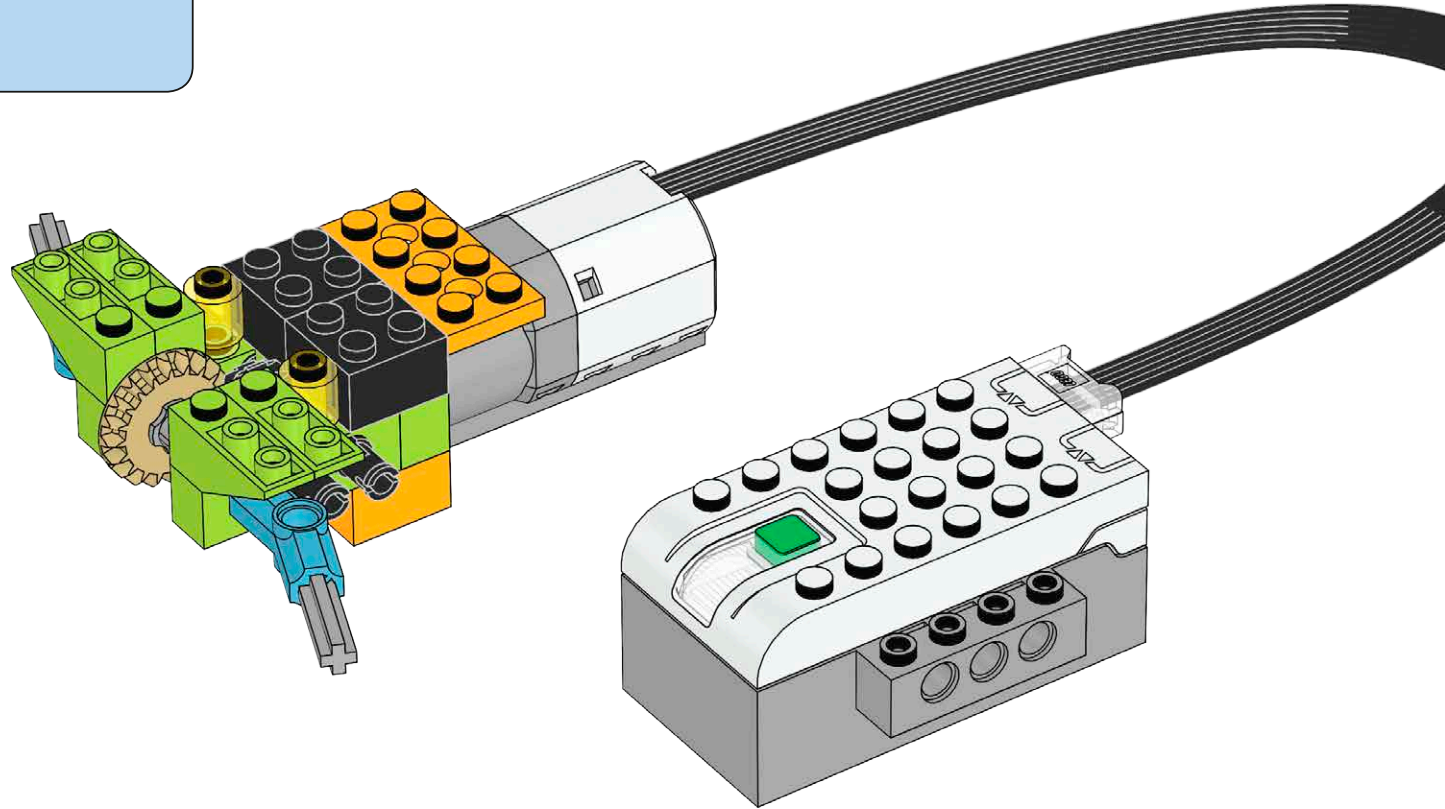


13

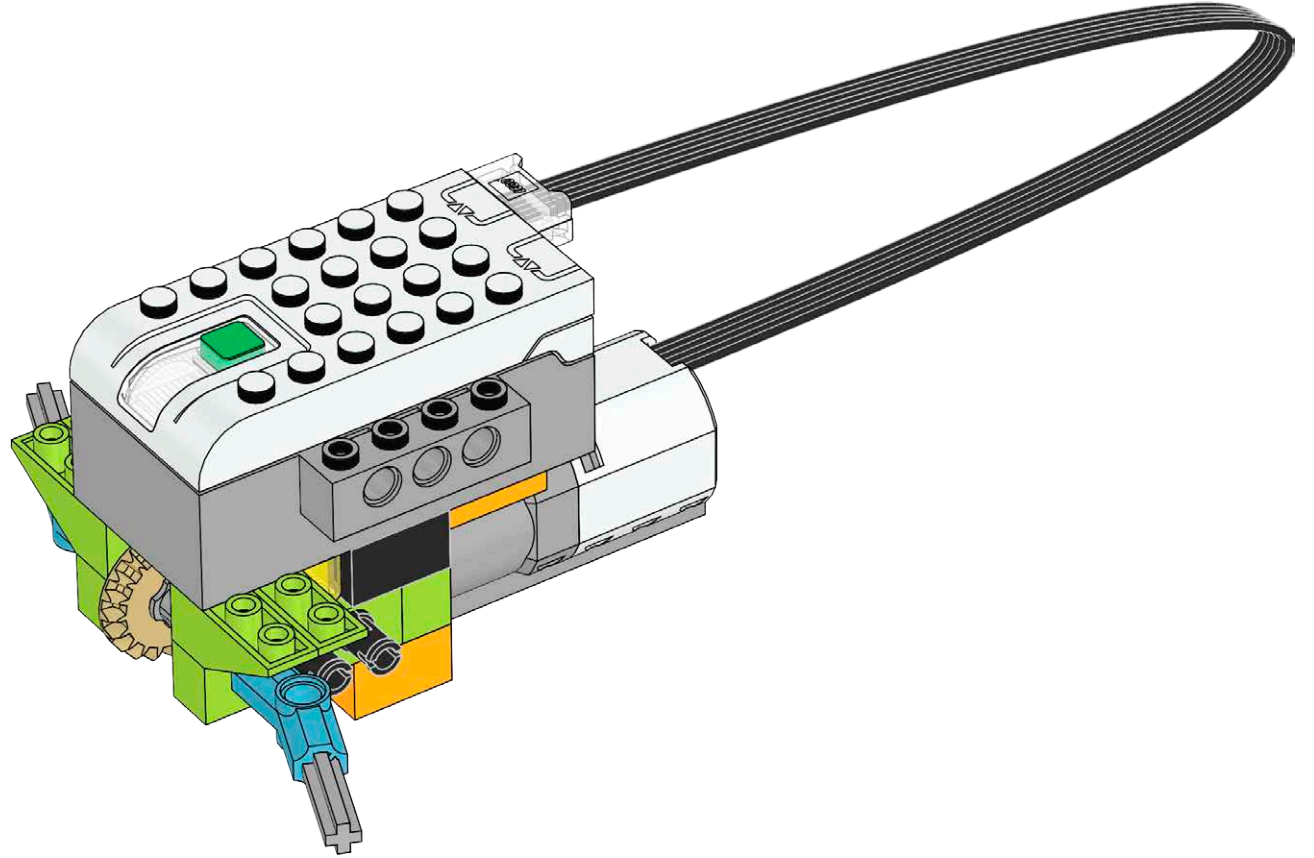


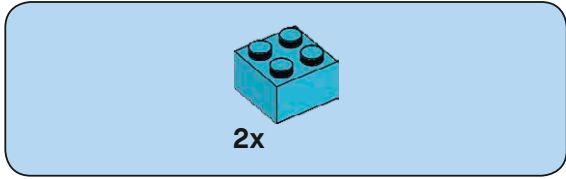


14

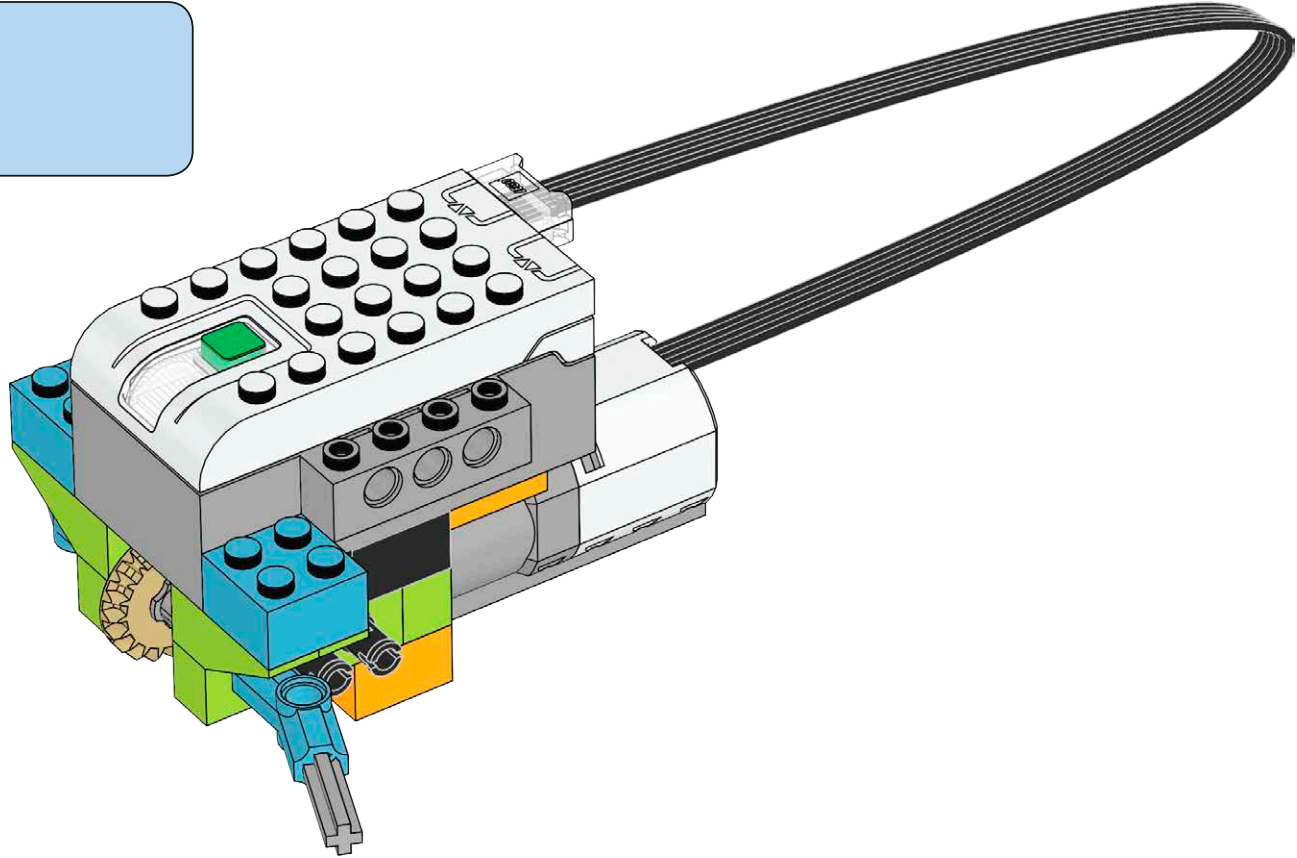


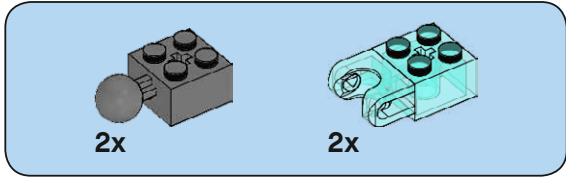
15



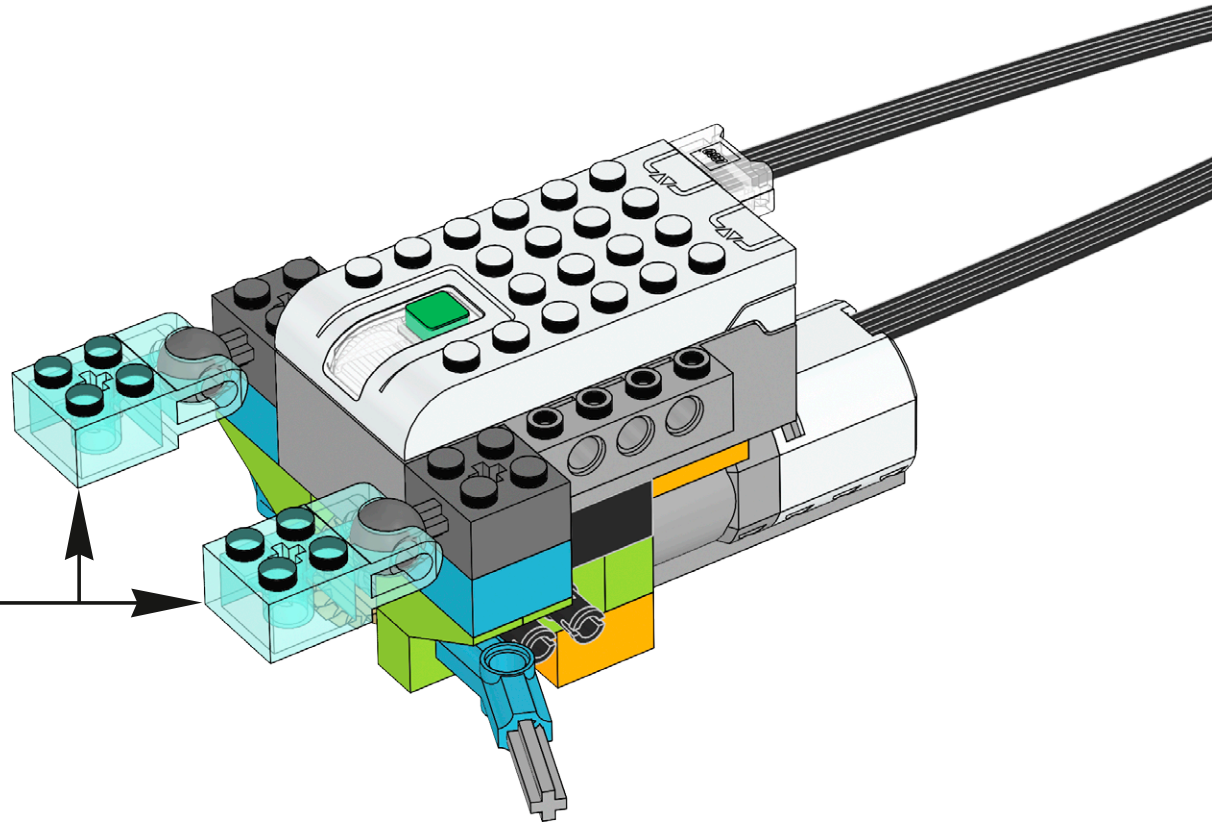
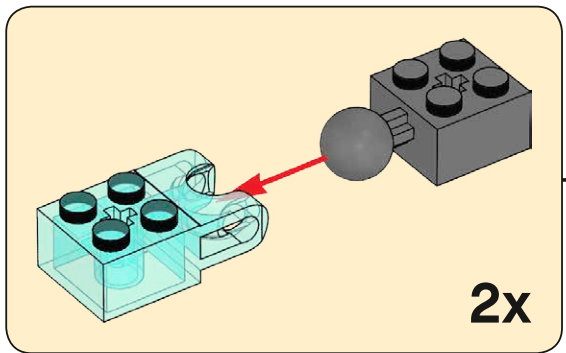


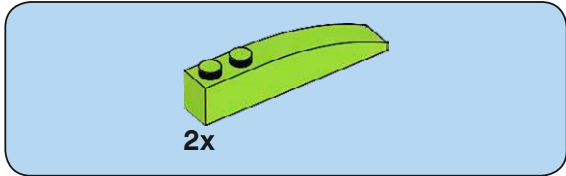
16



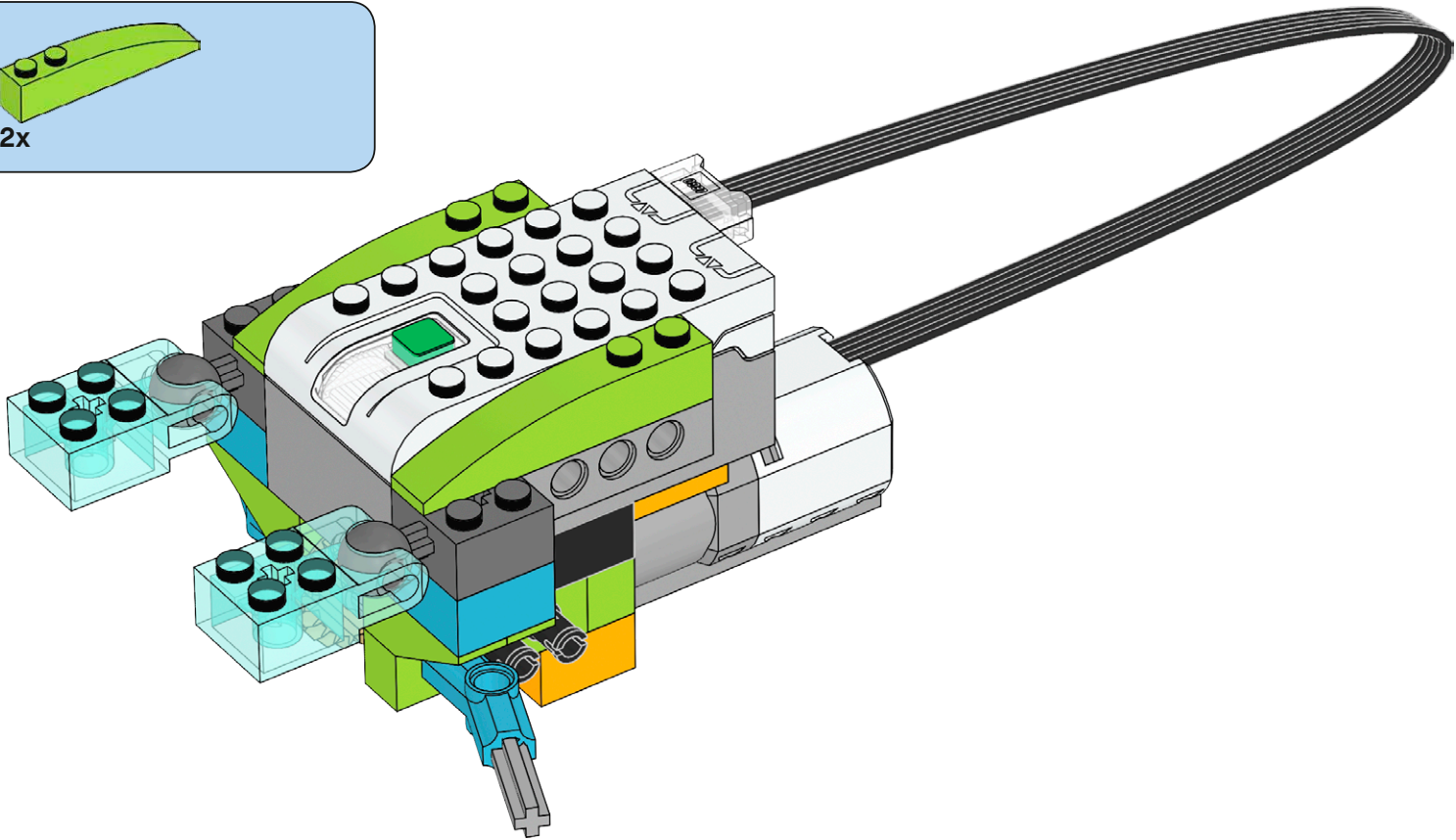


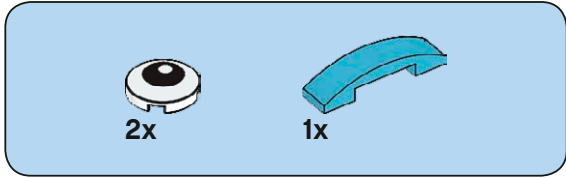
17



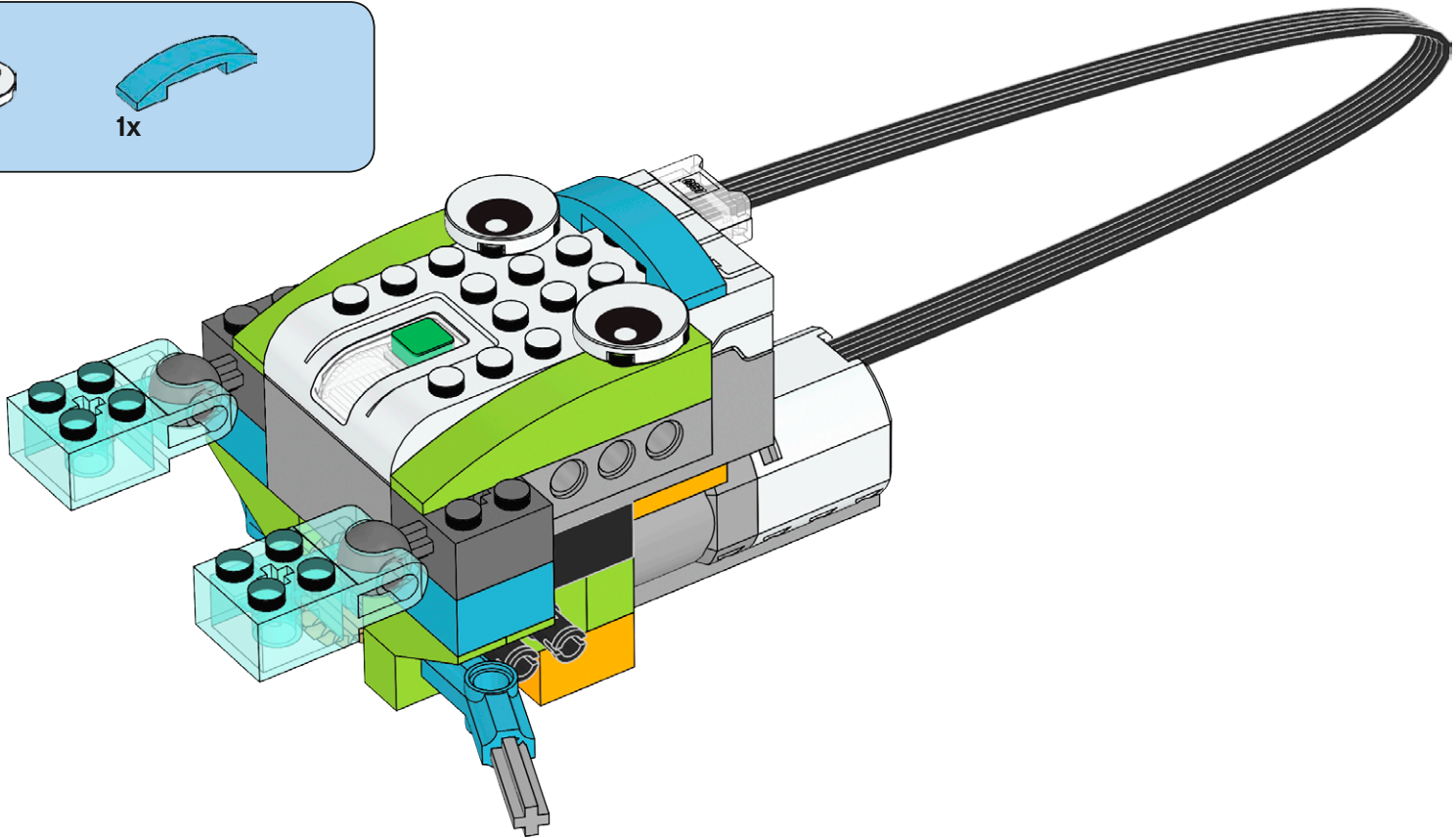


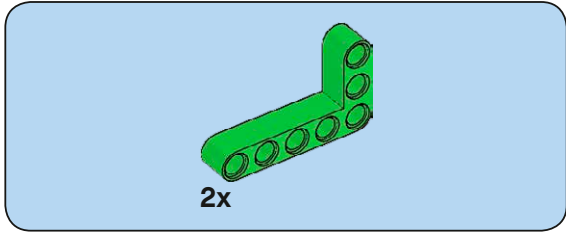
18



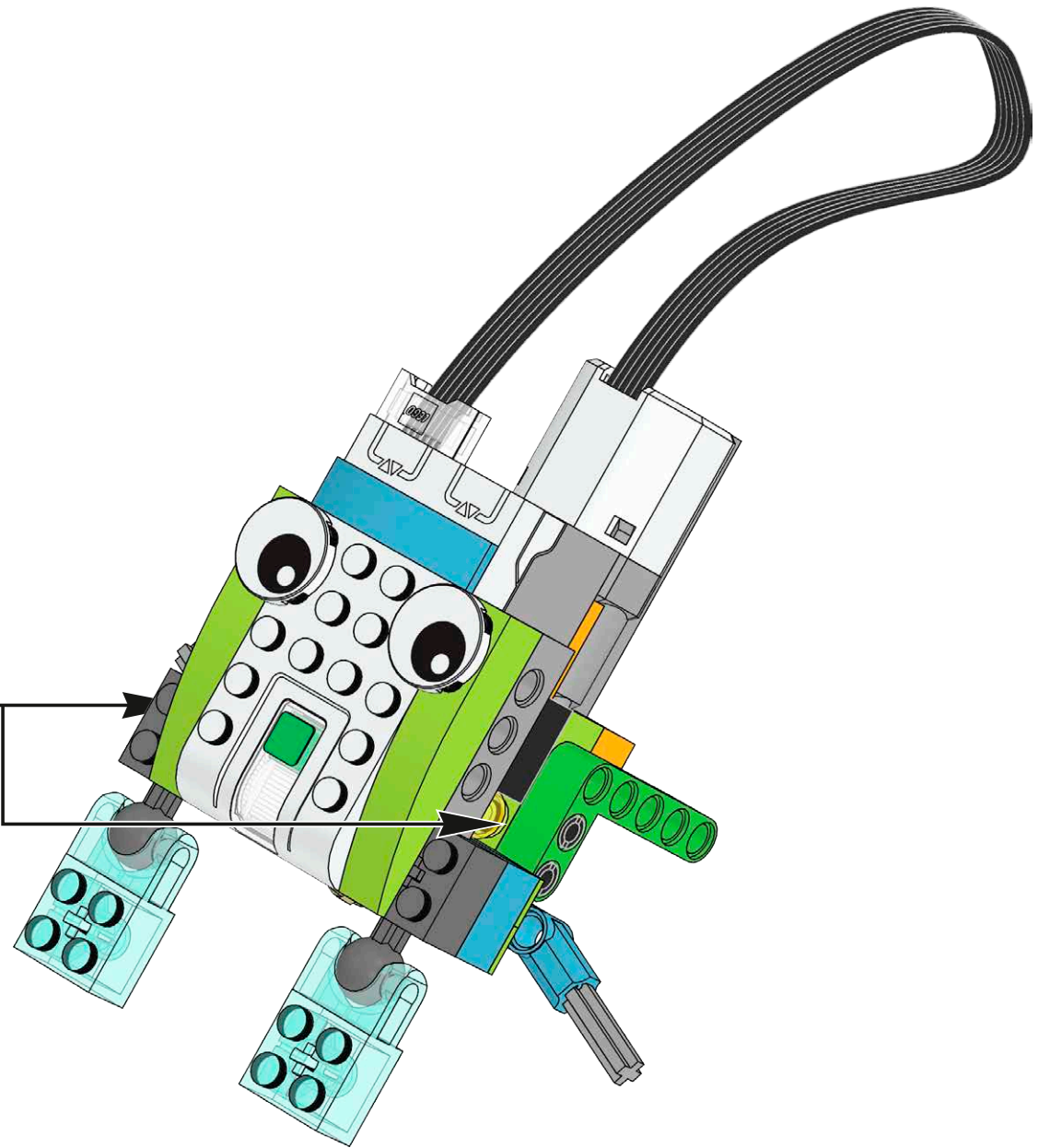
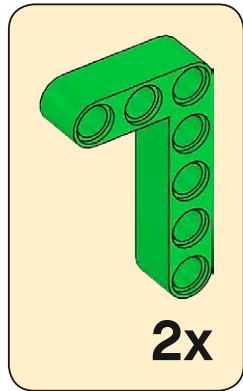


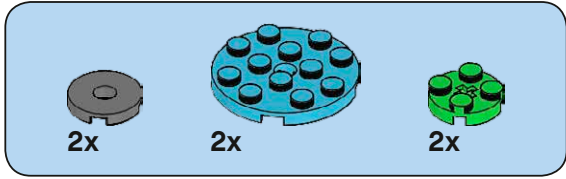
19



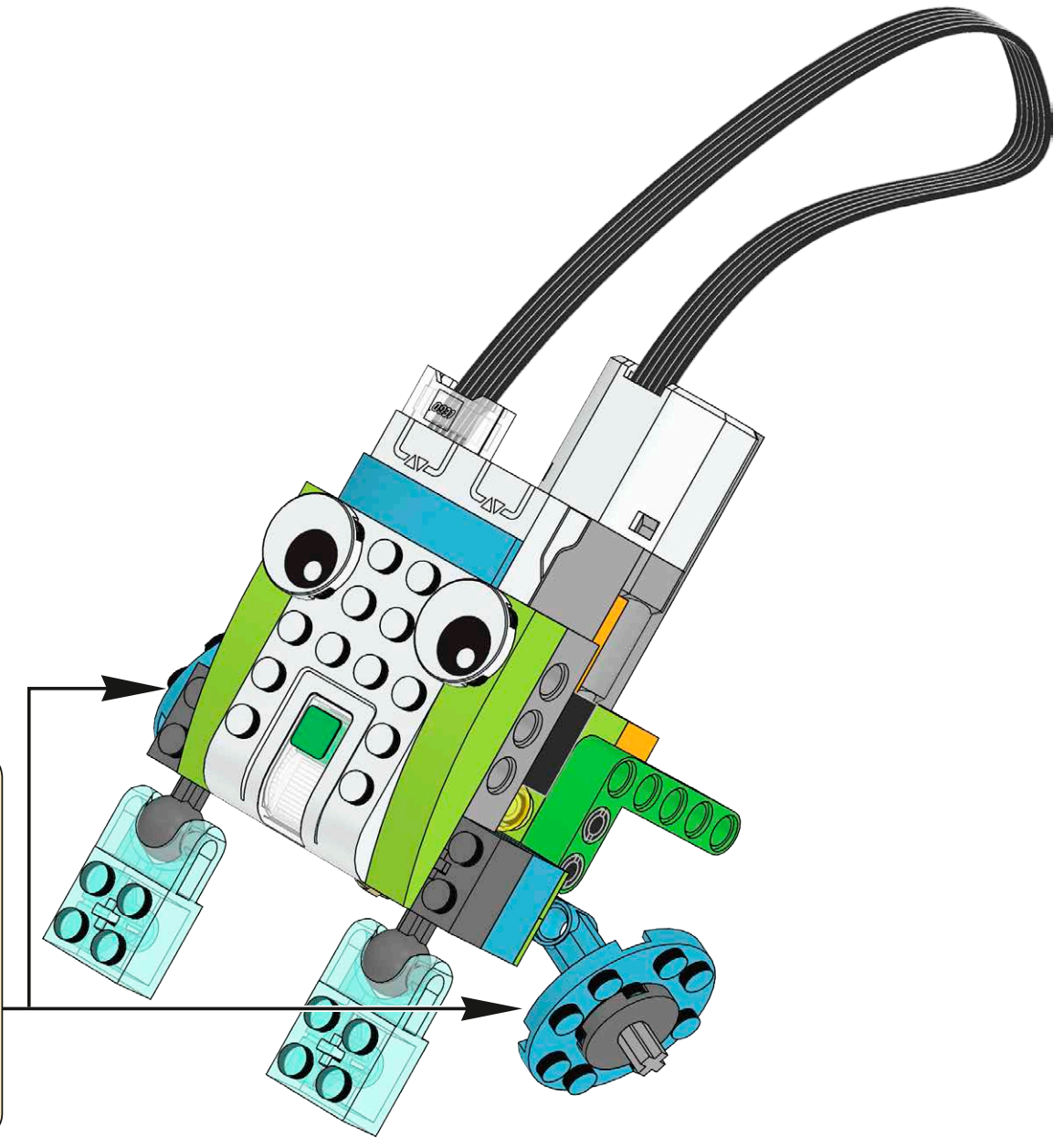
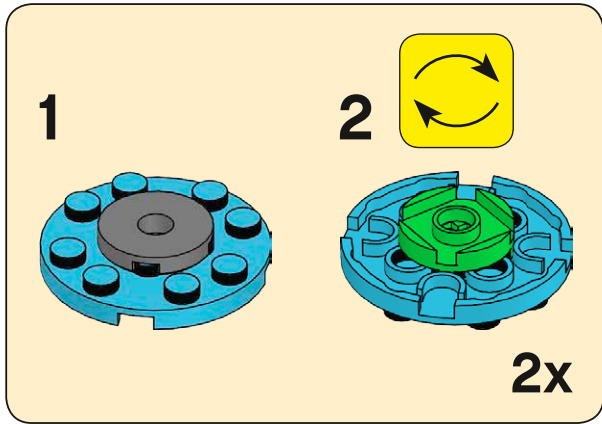


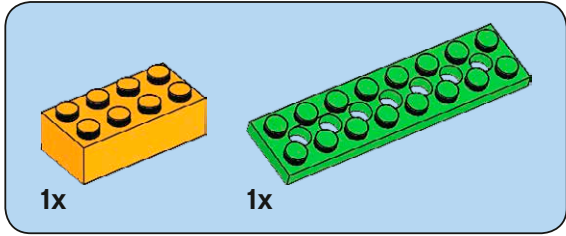
20



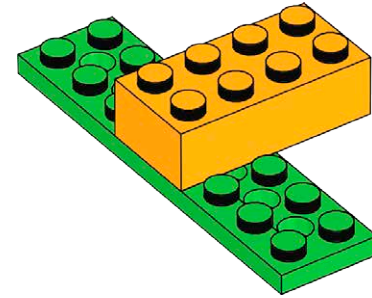


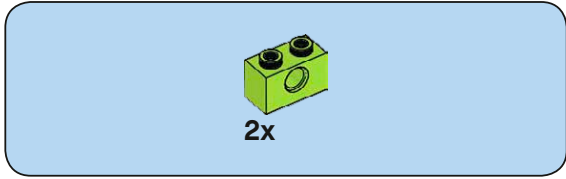
21



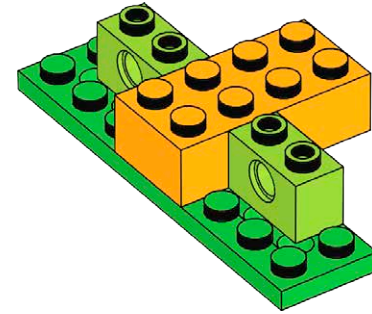


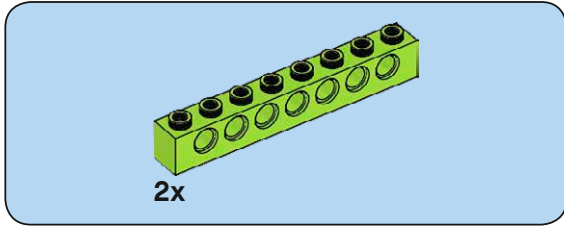
22



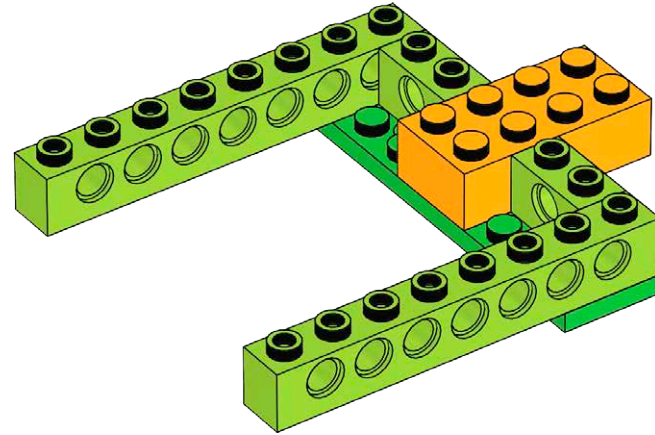


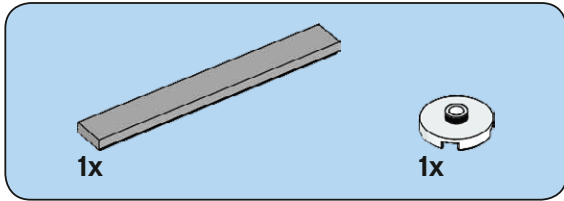
23



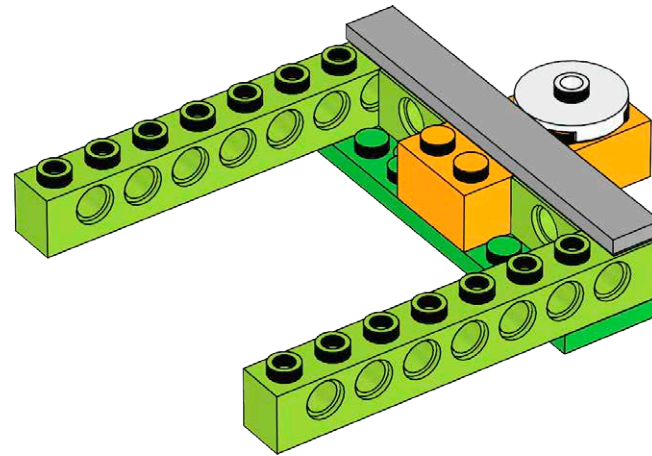


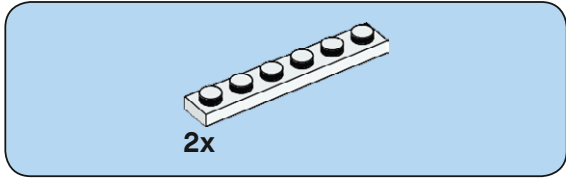
24



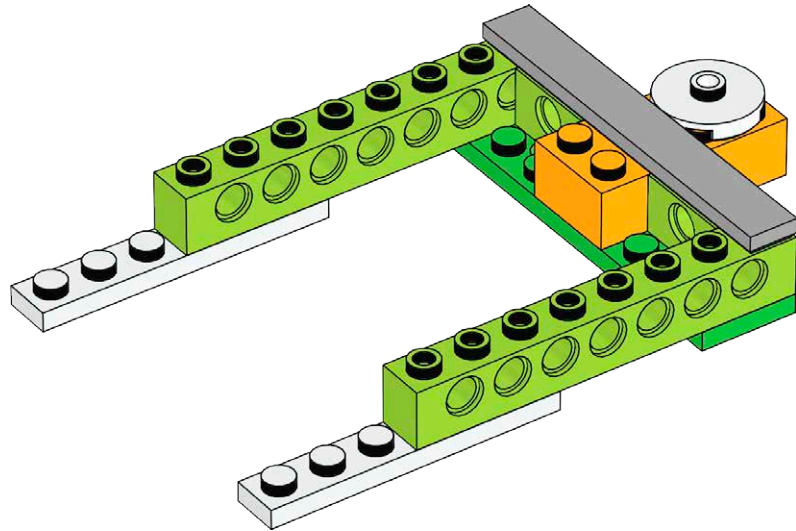


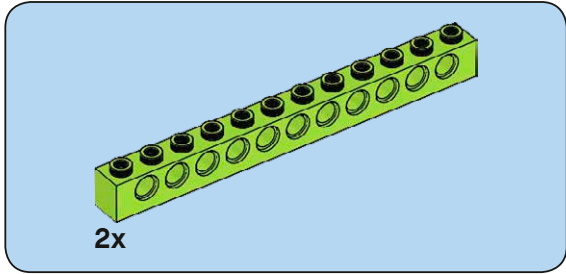
25



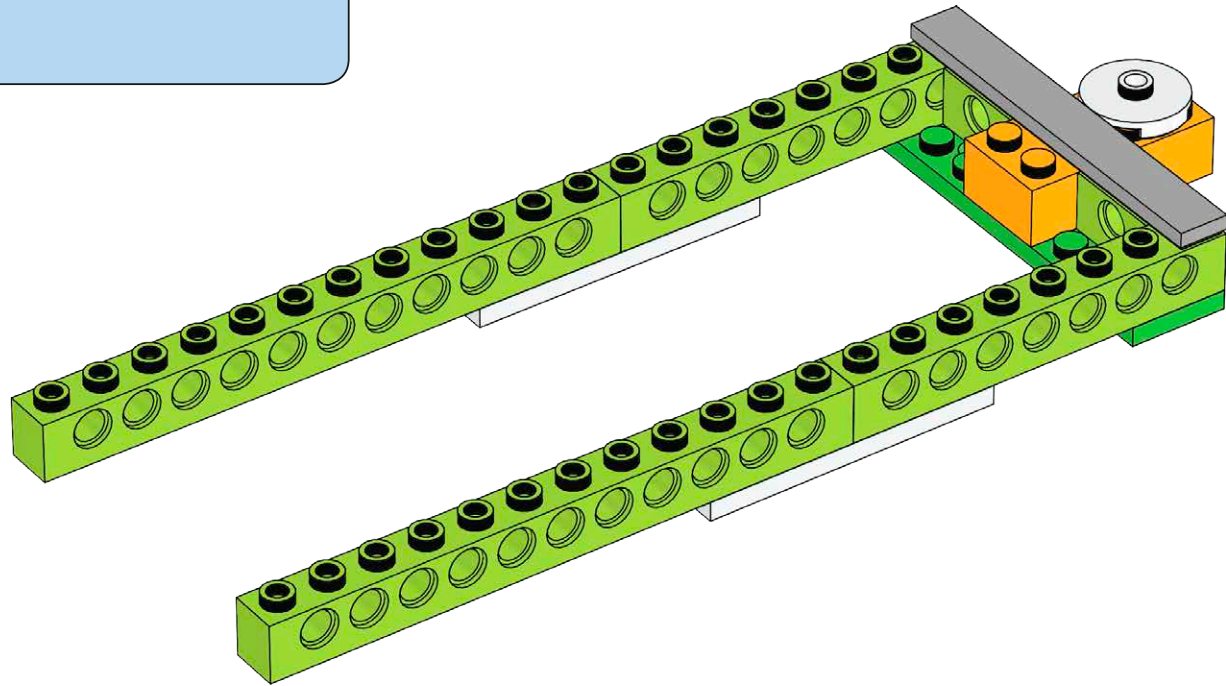


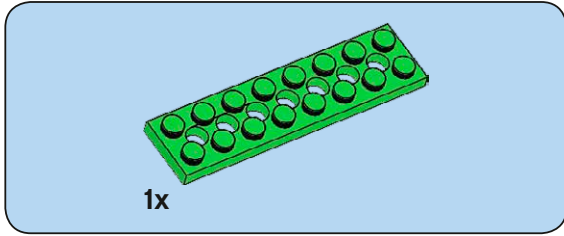
26



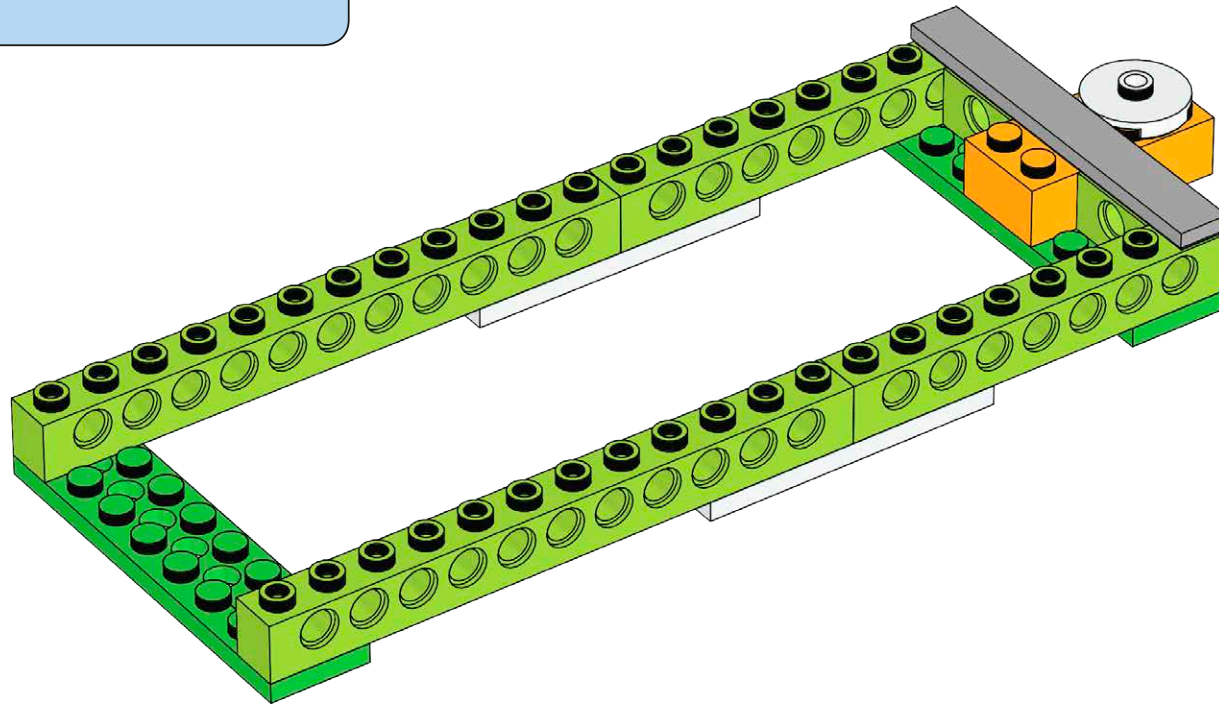


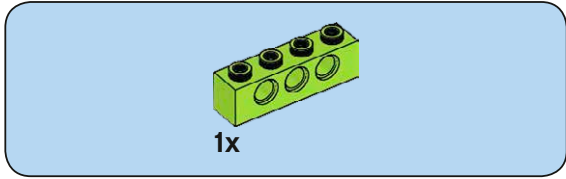
27



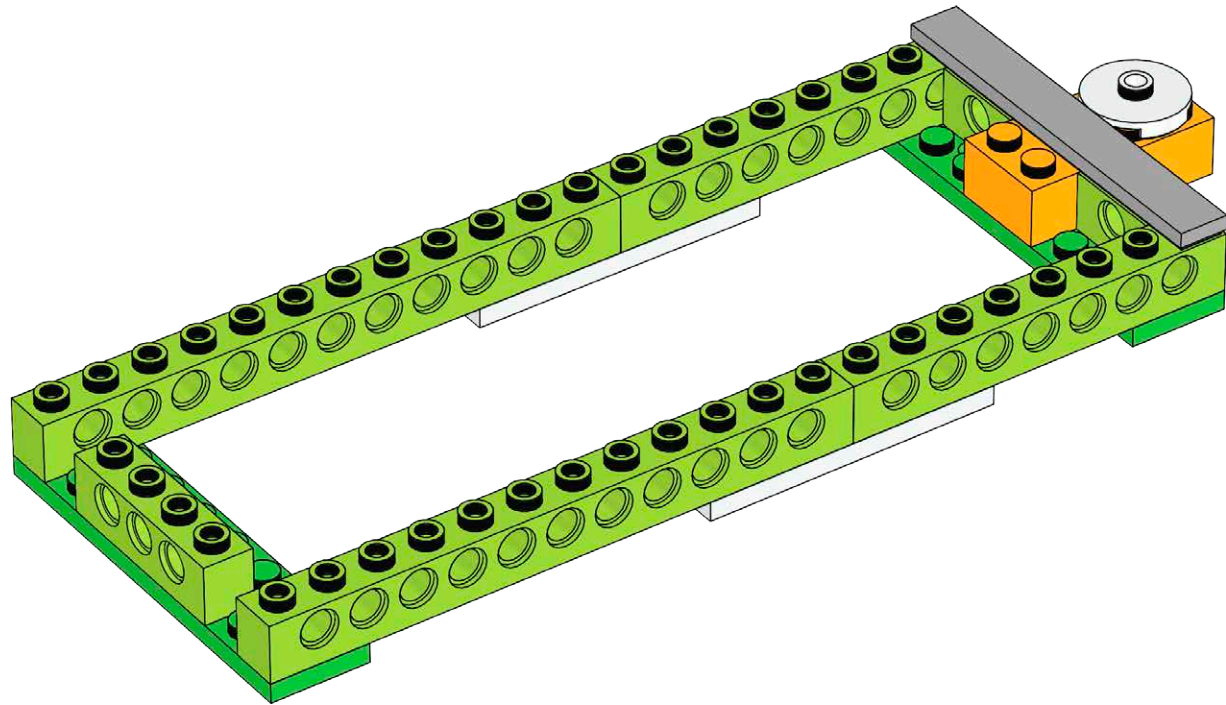


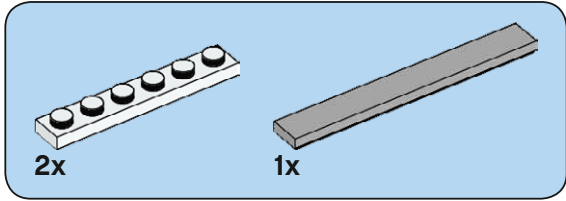
28



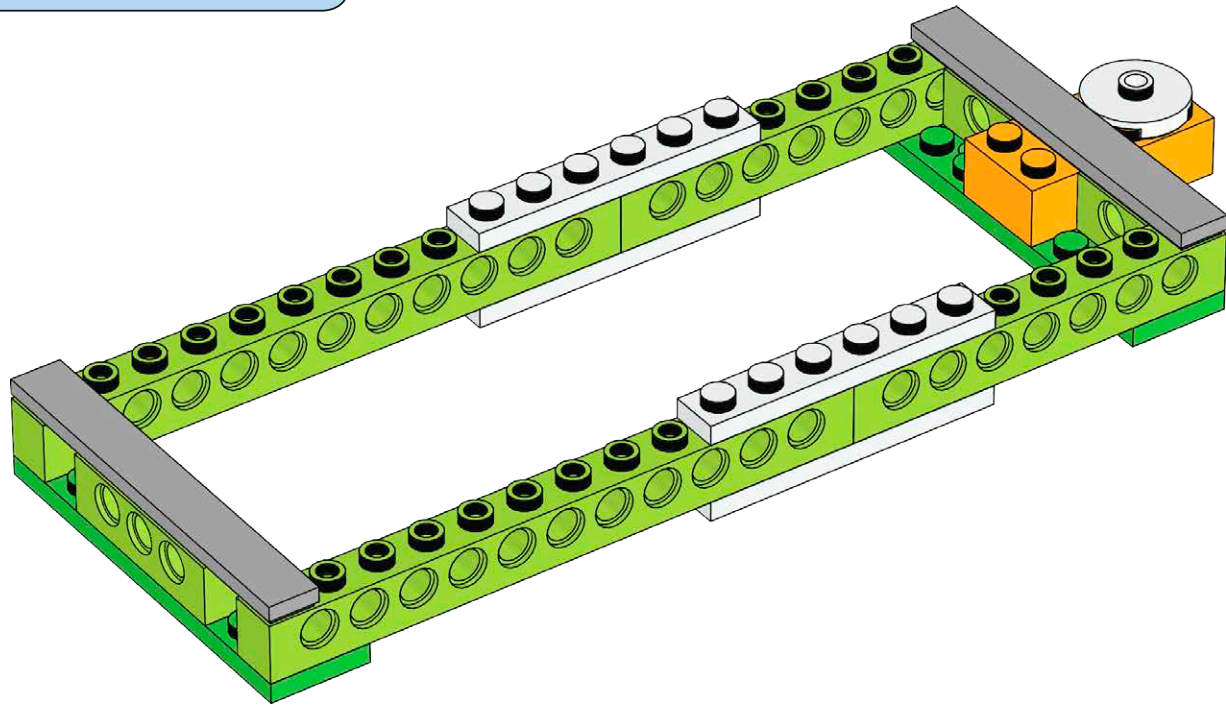


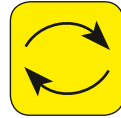
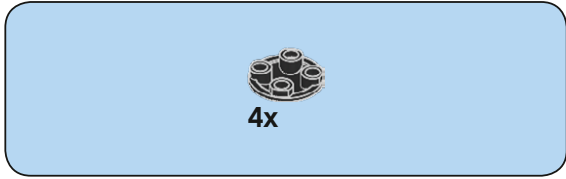
29



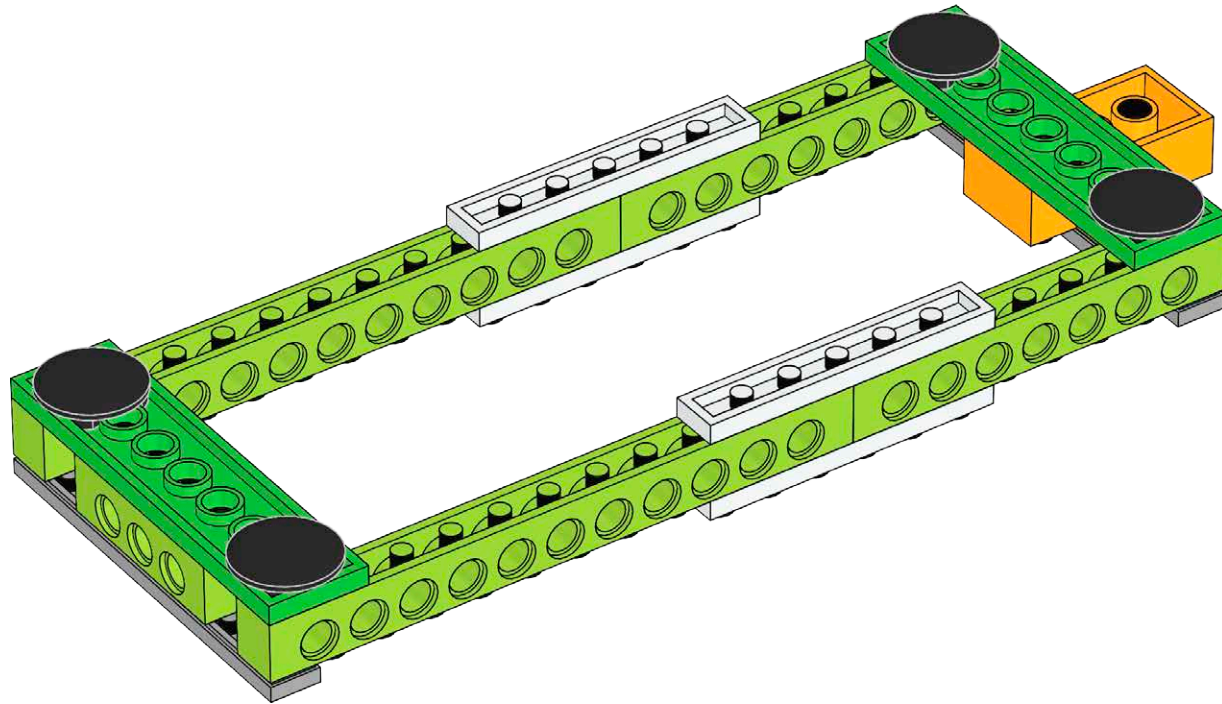


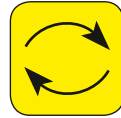
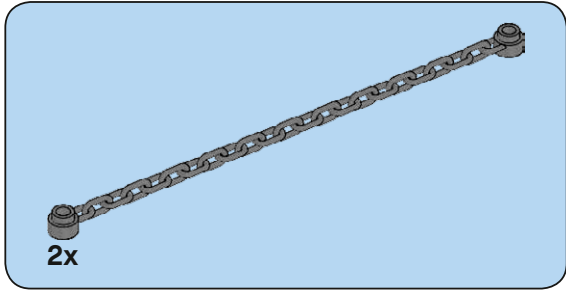
30



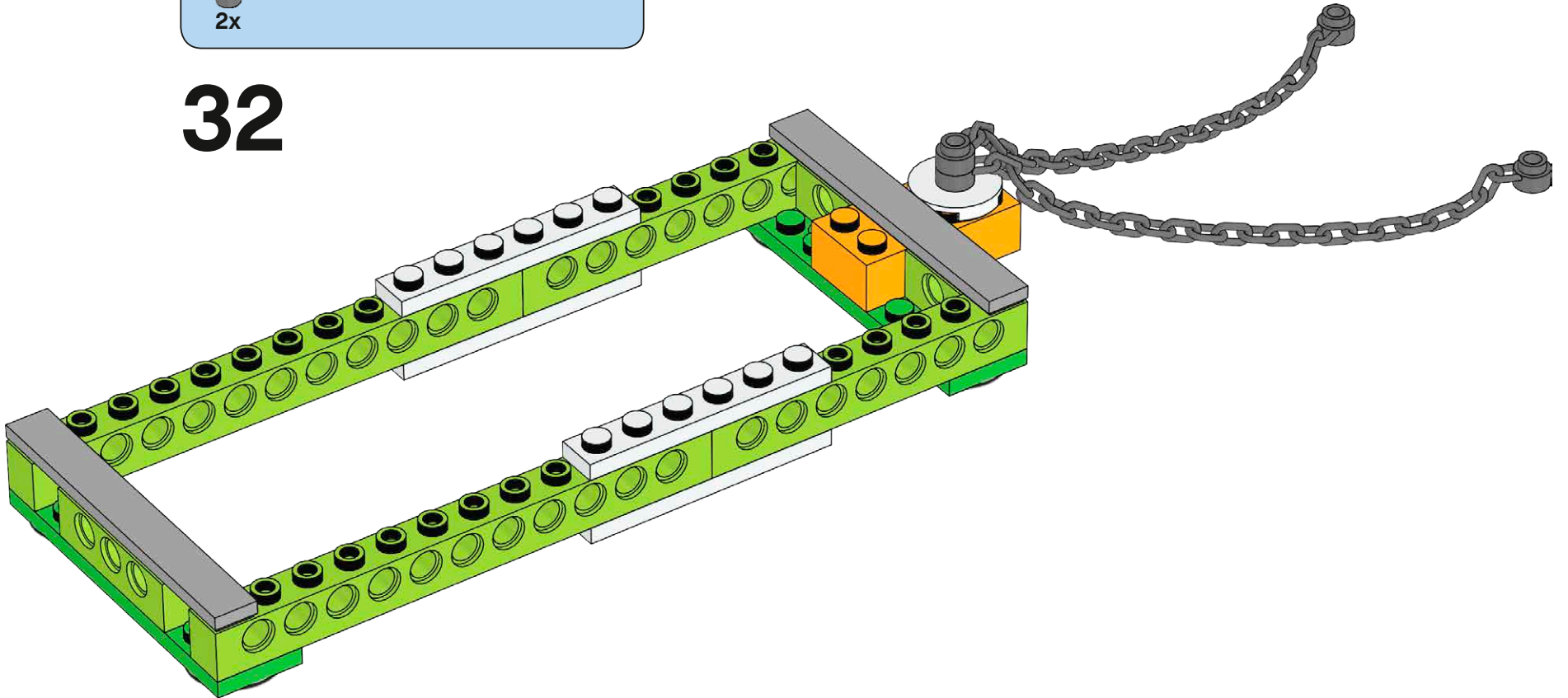


31





32



33

